

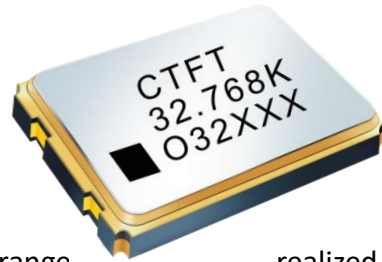
32.768KHz OSCILLATOR

CMO3225T



Features

- Standard Frequency:32.768KHz
- Ultra Small SMD seam sealed crystal oscillator units
- Excellent frequency stability over wide temperature range
third-order temperature characteristics specific to AT-cut crystal
- Pb-free and ROHS/Green compliant
- Applications:Camera, Electricity meter ,Bluetooth laptop, Industrial computer etc



realized by

Specifications

Item/Type	CMO3225T
Standard Frequency	32.768KHz
Frequency Tolerance(at 25°C)	±10ppm to 30ppm
Temperature Drift(at -40~+85°C)	±15ppm to±30ppm
Supply Voltage	1.8V to 3.3V
Operating Temperature Range	-40~+85°C
Storage Temperature Range	-55~+125°C
Symmetry(Duty Cycle)	45/55 Standard
Output Load	15pF or specify
Current Consumption(No load condition,Vcc=3.0V)	90uA MAX.
Rise/Fall Time	130 nS Max.
Start Time	10 mSec Max.
Aging	±3ppm

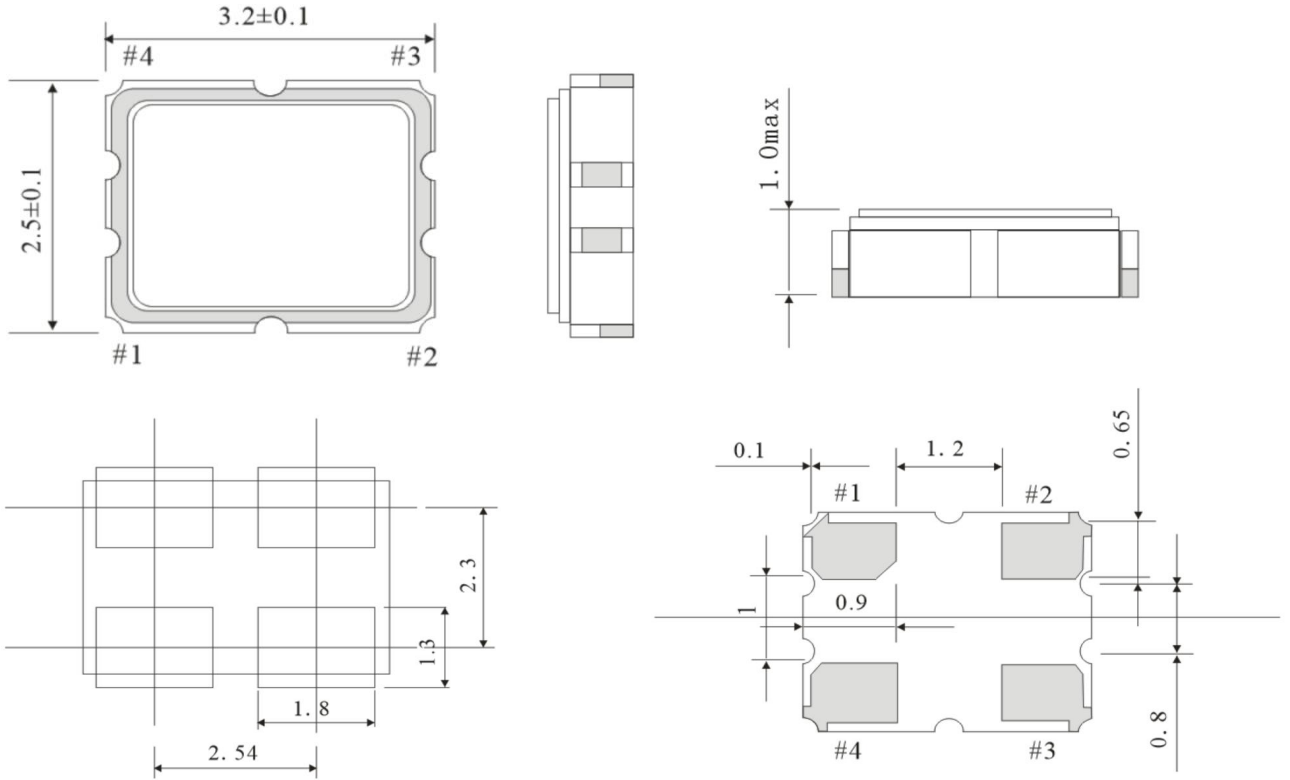
32.768KHz OSCILLATOR

CMO3225T



Dimensions

(Unit:mm)



PIN	FUNCTION
1	Tri-state*(See Notes)
2	Ground
3	Output
4	Vdd

Test Circuit

