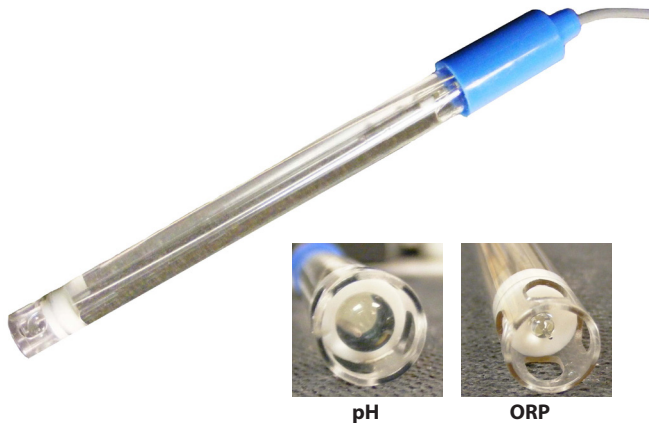


S150C(pH) and S150C-ORP Low Cost Polycarbonate Body Electrodes



Specifications

pH Measuring Range	0-14 pH Na+ error >12.3 pH)
Wetted Materials	Polycarbonate, Silicone, pH Glass or Platinum
Max Temperature	60 degrees C
Max Pressure	50 psig
Cable Length	30 inches
Connectors	choice of BNC, (US Std, DIN at additional cost)
Response Speed pH	>90% in 1 second

Use with any pH meter

Durable polycarbonate body construction

Shipped in soaking solution ready for immediate use

Available In clear or black bodies(upon request)

No-Maintenance Gel filled reference

RoHS Compliant

The new S150C and S150C-ORP in polycarbonate body, offer a lower cost alternative to epoxy body pH and ORP electrodes. Choose them for general purpose lab applications, pool and spa pH and chlorine control and more.

A newly designed tip offers pH bulb and ORP platinum or gold protection while maintaining optimum flow through the slots in the body.

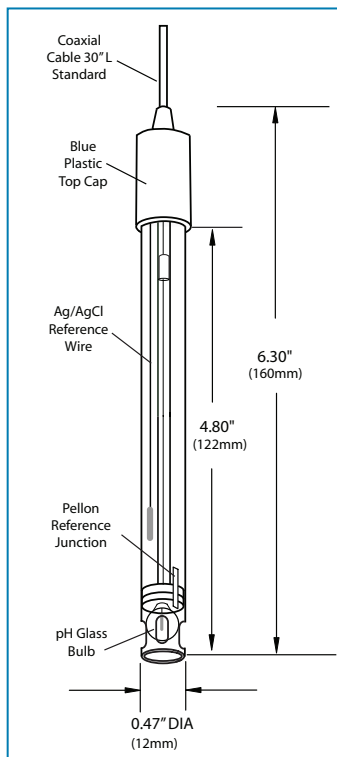
Both pH and ORP models are shipped in a soaker bottle and are ready for immediate use.

The gell-filled sealed reference provides maintenance-free operation.

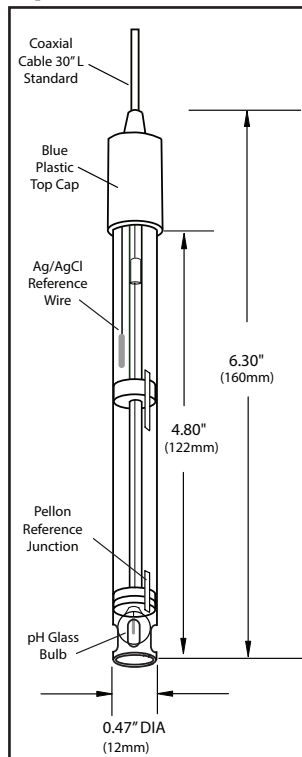
RoHS compliant, both pH and ORP models are built using lead-free glass and lead-free solder.

Standard versions are supplied in a clear Polycarbonate body. Black body versions are available upon request in OEM quantities. Contact Sensorex for more details.

**OUTLINE DRAWING AND DIMENSIONS
FOR S150C & S150CD pH ELECTRODES**

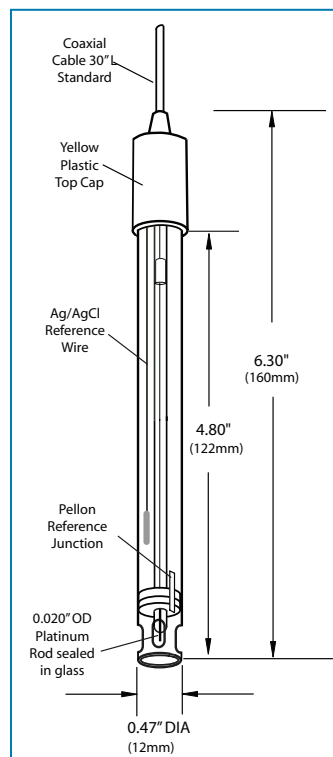


S150C

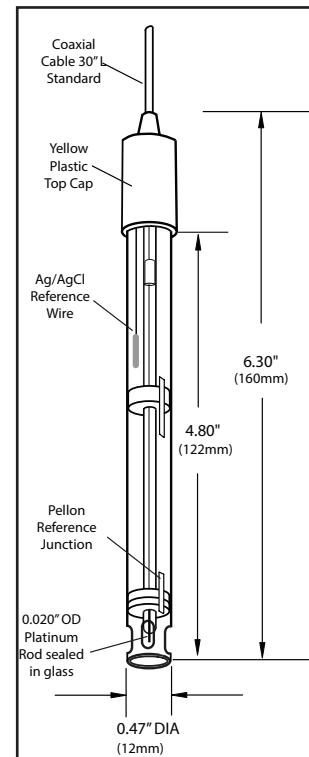


S150CD

**OUTLINE DRAWING AND DIMENSIONS
FOR S150C-ORP & S150CD-ORP ELECTRODES**



S150C-ORP



S150CD-ORP

ORDERING INFORMATION

Part no.	Description
S150C	Combination pH electrode, Clear Body, 1 meter cable, BNC connector or other at additional cost
S150CD	Combination pH electrode, Clear Body, Double junction, 1 meter cable, BNC connector or other at additional cost
S150C-ORP	Combination ORP electrode, Platinum, Clear Body, 1 meter cable, BNC connector or other at additional cost
S150CD-ORP	Combination ORP electrode, Platinum, Clear Body, Double junction, 1 meter cable, BNC connector or other at additional cost
S150C-ORP-AU	Combination ORP electrode, Gold, Clear Body, 1 meter cable, BNC connector or other at additional cost