

These pressure gauges measure accurately and reliably, even when exposed to extremely high mechanical loads. This series of pressure gauges has been designed for applications where strong shocks and vibrations. The pressure gauges are completely made of stainless steel.

Process industries: chemical/petro-chemical, power stations, mining, on and offshore, environmental technology, machine building and plant construction.

For gaseous and liquid aggressive media that are not highly viscous or crystallising, also in aggressive ambience.

Applications

- diesel engine, turbine and vibrating machinery
- Chemical and petrochemical industry
- Process engineering
- Food industry

Features

- Short response time
- Very high vibration resistance
- All stainless steel design
- Instruments meet the highest mechanical and measurement

Ordering Codes

MODEL	CONNECTION SIZE	DIAL SIZE	RANGE
SS-3021DEV	PF1/2	100Φ	0~100 bar



Specifications

- **Dial Size(mm)**
63, 100, 150
- **Accuracy**
63mm : ±1.6% of Full Scale
100 & 150mm : ±1.0% of Full Scale
- **Scale Range**
63mm : 0 ... 1 to 0 ... 1000 bar
100mm : 0 ... 0.6 to 0 ... 1000 bar
150mm : 0 ... 0.6 to 0 ... 1600 bar
Other : equivalent vacuum or combined pressure and vacuum ranges
- **Pressure Limitation**
63mm
- Steady: 3/4 x full scale value
- Fluctuating: 2/3 x full scale value
- Short time: full scale value
100, 150mm
- Steady : full scale value
- Fluctuating: 0.9 x full scale value
- Short time: 1.3 x full scale value
- **Lower mount or Lower back mount**
63mm : PT ¼
100 & 150mm : PT ½
- **Operating Temperature**
Ambient : -40 ~ +60 °C
Medium : 200 °C maximum
- **Pressure Element type**
< 100 bar : C-type
≥ 100 bar : helical type

A	Recorders
B	Indicators
C	Converters
D	Controllers
E	Thyristor Units
F	Pressure Transmitters
G	Temperature Transmitters
H	Temp. Sensors
I	Thermo Meters
J	Pressure Gauges
K	Accessories

SS-3010
SS-3020
SS-3020DEV
SS-3025-SS-3028
SS-3030
SS-3040
SS-3050
SS-3050S
SS-3070
SS-3075-SS-3078
SS-3130

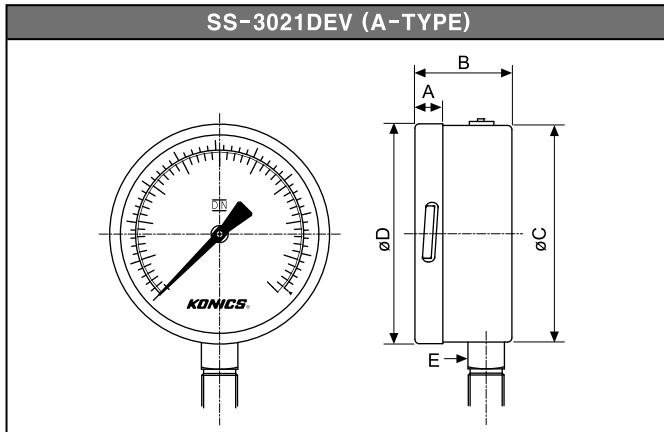
Material(Std)

- **Process connection** : Stainless steel 316L
- **Pressure element** : Stainless steel 316L
- **Movement** : Stainless steel
- **Dial** : Aluminum, black graduation on white background
- **Gasket & Filling Plug** : Neoprene
- **Pointer** : Aluminum, black coloured Fixed
- **Case** : Stainless steel

• Options

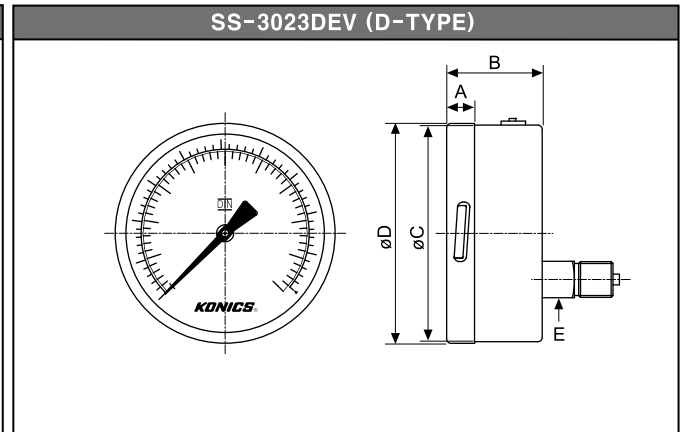
- Other process connection
- Assembly on diaphragm seals see product review
- Monel pressure system
- Pressure system stainless steel SUS 361L
- Surface or panel mounting flange, stainless steel Panel mounting flange, stainless steel

Dimensions



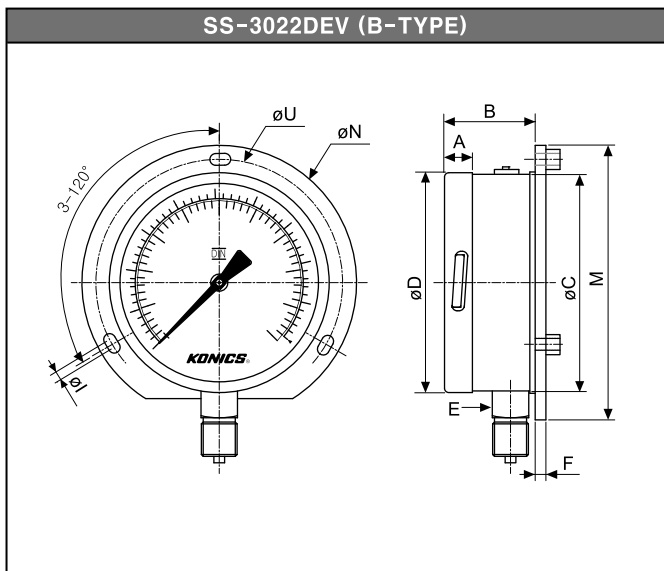
(Unit:mm)

DS	A	B	φC	φD	E	Weight in gram (With Box)	Weight in gram (With Glycerin&Box)
63	12	32	61.7	64	14	200.0	310.0
100	17.5	49	99	101	22	560.0	800.0
150	17.5	51.5	159	162	22	1100.0	1740.0



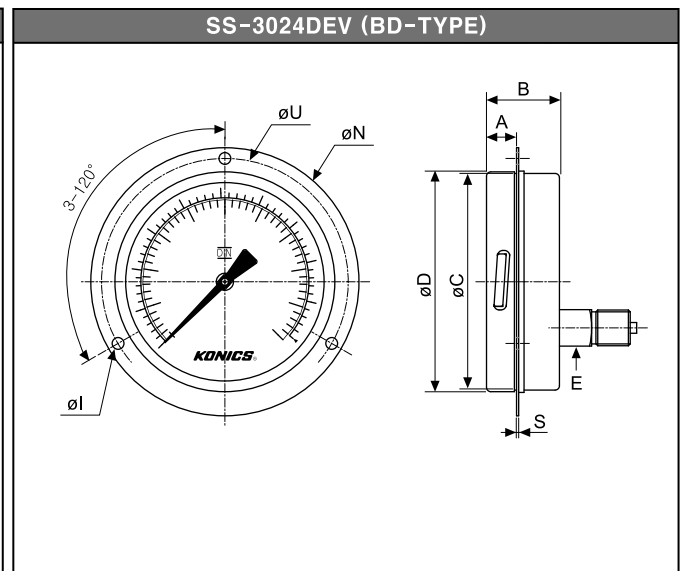
(Unit:mm)

DS	A	B	φC	φD	E	Weight in gram (With Box)	Weight in gram (With Glycerin&Box)
63	12	32	61.7	64	14	200.0	310.0
100	17.5	49	99	101	22	550.0	790.0
150	17.5	51.5	159	162	22	1060.0	1700.0



(Unit:mm)

DS	A	B	φC	φD	E	F	φI	φN	φU	M	Weight in gram (With Box)
63	12	32	61.7	64	14	10	3.6	86	75	80	260.0
100	17.5	49	99	101	22	15	4.8	132	116	126	645.0
150	17.5	51.5	159	162	22	15	5.8	196	178	188	1280.0



(Unit:mm)

DS	A	B	φC	φD	E	φI	φN	φU	S	Weight in gram (With Box)
63	12	32	61.7	64	14	3.6	86	75	1	250.0
100	17.5	49	99	101	22	4.8	132	116	1	630.0
150	17.5	51.5	159	162	22	5.8	196	178	1	1180.0