

a world of

REGULATORS, VALVES & SYSTEMS



Pressure controls for your industry

TESCOM


EMERSON
Process Management

D760037X012

CONTENTS

High Pressure – Pressure Reducing	1	Custom – Reducing & Back Pressure	8
Low Pressure – Pressure Reducing	2	Alternative Fuels	8
Low Pressure – Vacuum & Absolute	2	Valves	9
High Flow – Pressure Reducing	3	Biotech & Pharmaceutical Regulators	10
Back Pressure Regulators	4	Custom Manifolds & Systems	10-11
Hydraulic Regulators – Reducing & Back Pressure	5	Electronic Pressure Controls	11-12
Corrosion Resistant Regulators	6-7	Gauges & Filters	13
Changeovers	7	TESCOM Facilities	13

WHAT TO CONSIDER WHEN CHOOSING A REGULATOR

Major considerations in the selection of a regulator are listed here. Within the requirements of your specific application, use this catalog to find the regulator that matches your parameters. Our standard products are only a starting point. We can modify or create a control that will solve any application problem. Detailed information is available through your local TESCOM representative.

HANDKNOB

Large handknob provides easy, low torque pressure setting. Wrench or screwdriver adjust options on some models.

VENTING

Self-venting feature enables relieving of the outlet pressure when the handknob is turned in the “decrease” direction.

Captured venting configuration includes extra port to pipe away expelled fluids from a regulator’s vent valve.

Non-venting feature available for hydraulic or other applications where venting is not desirable.

FLOW CAPACITY – C_v

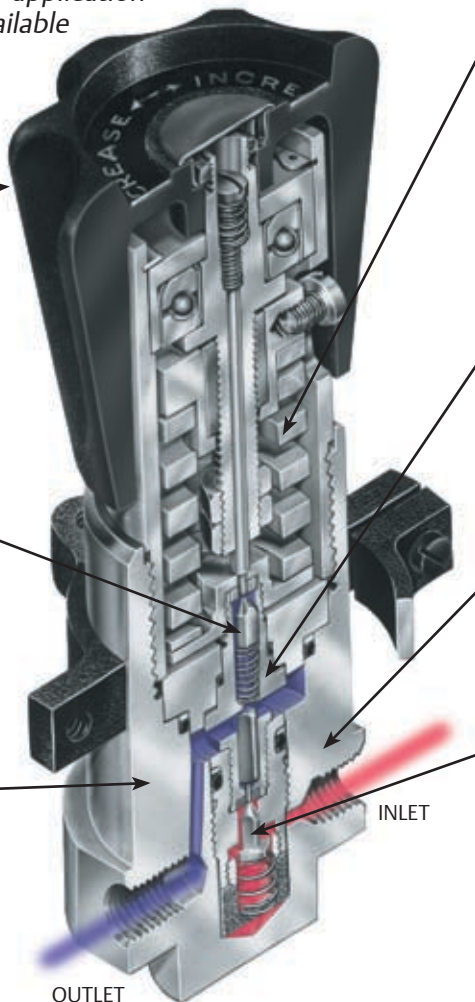
C_v is a measure of regulator flow capacity. The flow coefficient refers to the flow of one GPM of water at one PSI drop across the main valve. The coefficient for gaseous service must be determined from the ratio of inlet to outlet pressure.

BODY MATERIALS

Brass, aluminum or stainless steel (Type 300, 316) and others.

OUTLET PRESSURE RANGES AVAILABLE

Starting at 28” Hg. Vac. to 15 PSIG, ranging up to 300-20,000 PSIG.



LOADING – Spring, Dome, Air Actuated, Electronic

Loading refers to the method used to balance the outlet pressure. Spring loading is used with direct acting regulators with handknob adjustment. Dome loading is most often used in high flow, quick response type applications. Air Actuator provides outlet pressures up to 15,000 PSIG with a signal of only 100 PSIG. A TESCOM electronic controller is another loading option (p.11).

PANEL MOUNTING

Standard on some models. Extra option on others.

SENSING – Diaphragm or Piston

Diaphragms provide sensitive and accurate regulation for outlet pressure ranges up to 500 PSIG.

Piston sensors provide high strength integrity for high outlet pressures up to 20,000 PSIG.

INLET PRESSURE RANGES

Sub-atmospheric to 20,000 PSIG.

PORTS

Sizes: 1/8" to 1"

Types: NPT (all models), SAE, Aminco, MS33649, Slimline, BSP, welded fittings.

MAIN VALVES – Balanced and Unbalanced

Balanced design is used to reduce the effect of decaying inlet pressure and in certain models provides increased flow capacity.

Unbalanced valve offers simplicity and economy.

ADDITIONAL CONSIDERATIONS

- Gauge ports, 1/8" or 1/4" NPT
- Temperature range
- Corrosion resistance
- Welded connections
- Soft goods -Buna-N, PCTFE, Teflon®, Viton-A®, Vespel® and EPR.

Elgiloy® is a registered trademark of Elgiloy Corp.
 Monel® is a registered trademark of Huntington Alloys, Inc.
 Cylon® is a registered trademark of Garlock, Inc.
 LabVIEW® is a registered trademark of National Instruments.
 Hastelloy® is a registered trademark of Haynes International, Inc.
 Teflon®, Viton-A® and Vespel® are registered trademarks of DuPont.
 Windows® and Visual Basic® are registered trademarks of Microsoft Corp.

High Pressure - Pressure Reducing Regulators



BB-1 Miniature



44-1100 High Pressure



26-1000 Versatile



26-2000 Versatile

Product Series/Features (Pressure Reducing)	Inlet Pressure (maximum)	Outlet Pressure Ranges	Flow Capacity	Body Material
BB-1 Series: Miniature <ul style="list-style-type: none"> Lightweight, compact design Piston sensed for high cycle life Designed for liquid or gas media Non-venting Field adjustable or pre-set ranges 	6,000 PSIG	0-80, 0-140, 0-220, 0-700, 0-1200, 0-1800 PSIG	$C_V = .06$	Aluminum, 316 SST
BB-5 Series: Miniature, Two Stage <ul style="list-style-type: none"> Lightweight, compact design Interstage relief port Piston sensed for high cycle life Non-venting 	6,000 PSIG	0-80, 0-140, 0-220, 0-700, 0-1200 PSIG	$C_V = .06$	Aluminum, 316 SST
44-1100 Series: High Pressure <ul style="list-style-type: none"> Excellent sensitivity Piston sensed for high cycle life Inlet & outlet gauge ports standard 40 micron (nominal) inlet filter Removable valve module for easy field repair Self-venting standard 	10,000 & 6,000 PSIG	5-500, 5-800, 10-1500, 15-2500, 25-4000, 50-6000 PSIG	$C_V = .02$ $C_V = .06$ $C_V = .12$	Brass, 300 SST, 316 SST
44-1800 Series: Economy <ul style="list-style-type: none"> General purpose use Compact design Adjustable stop limits maximum outlet pressure Inlet & outlet gauge ports standard Non-venting standard 	6,000 PSIG	15-2500 PSIG	$C_V = .06$ $C_V = .24$	Brass, 300 SST, 316 SST
26-1000 Series: Versatile <ul style="list-style-type: none"> Outlet pressure ranges are field changeable Numerous porting options Optional inlet pressures to 20,000 PSIG Large handknob provides fast low-torque pressure settings Self-venting standard 	6,000 & 10,000 PSIG	5-500, 5-800, 10-1500, 15-2500, 25-4000, 50-6000, 200-10,000 PSIG	$C_V = .02$ $C_V = .06$ $C_V = .12$ $C_V = .3$	Brass, 300 SST, 316 SST
26-2000 Series: Versatile <ul style="list-style-type: none"> Designed for both hydraulic and pneumatic service Captured vent standard Designed for heavy duty shock and vibration service Choice of metal to metal or soft seat Compatible with TESCOM Electronic Controllers (p. 11-12) 	6,000, 10,000, & 15,000 PSIG	5-500, 5-800, 10-1500, 15-2500, 25-4000, 50-6000, 200-10,000 PSIG	$C_V = .02$ $C_V = .06$ $C_V = .12$ $C_V = .3$	Brass, 316 SST

Low Pressure - Pressure Reducing



26-1600 Self-Venting



44-5200 Economical/Venting

Product Series/Features (Pressure Reducing)	Inlet Pressure (maximum)	Outlet Pressure Ranges	Flow Capacity	Body Material
26-1500 Series: Non-venting <ul style="list-style-type: none"> Non-venting regulator Compact design Elastomeric diaphragm - highly sensitive Dome loading available For liquid or gas service 	6,000 PSIG 5,000 PSIG	4-50, 4-150, 4-250 PSIG	$C_V = .08$ $C_V = .24$	Brass or 316 SST
26-1600 Series: Self-venting <ul style="list-style-type: none"> Elastomeric diaphragm - highly sensitive Controls up to 500 PSIG Dome loading available For liquid or gas service Works with TESCOM motorized actuator for remote control 	6,000 PSIG 5,000 PSIG	2-50, 2-150, 3-250, 5-500, PSIG	$C_V = .08$ $C_V = .24$	Brass or 316 SST
44-5200 Series: Economical/Venting/Non-Venting <ul style="list-style-type: none"> Replaces 44-2200V Large piston - good sensitivity For liquid or gas service 	3,500 PSIG 400 PSIG	0-25, 0-50, 0-100, 0-250, 0-500, 0-600 PSIG	$C_V = .06$ $C_V = .15$	Brass or 316 SST

Low Pressure - Vacuum & Absolute



44-4700 Back Pressure



DV Vacuum Control

Product Series/Features (Absolute)	Inlet Pressure (maximum)	Outlet Pressure Ranges	Flow Capacity	Body Material
44-4600 Series: Absolute Pressure <ul style="list-style-type: none"> Controlled Pressure Range: 28" Hg to 15 PSIG Large diaphragm - excellent sensitivity 	120 PSIG 3,500 PSIG	28" Hg Vac to 15 PSIG	$C_V = .06$ $C_V = .24$	316L SST
DA Series: Absolute Pressure <ul style="list-style-type: none"> Sub-atmospheric to 350 PSIG Non-venting regulator Elastomeric diaphragm sensor - highly sensitive Economical Low knob torque, quick response Dome loaded option 	4,500 PSIG 500 PSIG	Vac. to 15 PSIG Vac. to 50 PSIG Vac. to 100 PSIG Vac. to 350 PSIG	$C_V = .06$	Brass or Aluminum
Product Series/Features (Vacuum)	Controlled Pressure Ranges	Flow Capacity	Body Material	
44-4700 Series: Sub-atmospheric <ul style="list-style-type: none"> High Flow capacity Negative spring bias Controls sub-atmospheric to positive pressures 	28" Hg vac - 15 PSIG 28" Hg vac - 50 PSIG 28" Hg vac - 100 PSIG 28" Hg vac - 150 PSIG	$C_V = .04$ $C_V = .30$	316L SST	
DV Series: Vacuum control <ul style="list-style-type: none"> Elastomeric diaphragm - highly sensitive Highly accurate: $\pm 1\%$ Dome loaded option Choice of constant or no bleed 	0 PSIG - 28" Hg (non-bleed) 0 PSIG - 25" Hg (constant bleed)	$C_V = .25$	Brass or Aluminum	

High Flow - Pressure Reducing

26-1200 $C_V=12$ 

44-1300 Versatile



44-1500 High Flow



44-4000 Tracking

Product Series/Features (Pressure Reducing)	Inlet Pressure (maximum)	Outlet Pressure Ranges	Flow Capacity	Body Material
26-1100 Series: Compact/High Flow <ul style="list-style-type: none"> Diaphragm sensed - highly sensitive Modular construction - easy service External sensing available for improved accuracy Balanced main valve increases seat life 	6,000 PSIG 10,000 PSIG	55-6,000, 55-10,000 PSIG	$C_V = .46$ $C_V = 1.3$	Brass, 300 SST or 316 SST
26-1200 Series: High Flow <ul style="list-style-type: none"> Similar to 26-1100 above with higher flow capacity 	6,000 PSIG	100-6,000 PSIG	$C_V = 3.3$ $C_V = 6.0$ $C_V = 12.0$	300 SST or 316 SST
44-1300 Series: Versatile <ul style="list-style-type: none"> Excellent sensitivity Self-venting Extremely reliable Spring, dome or air ratio loading 	3,750 PSIG 4,500 PSIG 5,000 PSIG 6,000 PSIG	10-300, 15-600, 20-1,000, 50-1,500, 50-2,500 PSIG	$C_V = .8$ $C_V = 2.0$	Brass, 300 SST or 316 SST
44-1500 Series: High Flow <ul style="list-style-type: none"> Captured self-venting 6,000 PSIG inlet Spring, dome or air ratio loading available 	6,000 PSIG	10-200, 10-400, 10-600 PSIG	$C_V = .3$	Brass or 316 SST
44-4000 Series: Tracking <ul style="list-style-type: none"> Captured self-venting standard Adjustable bias pressures Compatible with TESCOM electronic pressure controllers (p. 11-12) 	6,000 PSIG	50-1,500 PSIG Plus Bias Pressures to 350 PSIG	$C_V = .7$ $C_V = 2.0$	Brass, 300 SST or 316 SST
44-4200 Series: Economical <ul style="list-style-type: none"> Dome loaded Piston sensed - highly reliable Compatible with TESCOM electronic pressure controllers (p. 11-12) 	6,000 PSIG	0-5,000 PSIG	$C_V = .8$ $C_V = 2.0$	Brass, 300 SST or 316 SST
CP32 Series: Pilot Operated <ul style="list-style-type: none"> High flow, low droop Gauge port option Excellent sensitivity and repeatability 	3,000 PSIG	500 PSIG	$C_V = 1.0$	Brass or 316 SST
DH Series: Low Pressure <ul style="list-style-type: none"> Diaphragm sensed - highly sensitive Excellent repeatability Very high flows at low pressures 	500 PSIG	0-20, 0-50, 0-100, 0-150, 2-250 PSIG	$C_V = 5.0$	Brass or 316 SST
DG Series: Low Pressure <ul style="list-style-type: none"> Diaphragm sensed High flow - up to 1400 scfm NPT & welded connections 	300 PSIG	0-20, 0-50, 0-100 0-250 PSIG	$C_V = 10$	316 SST

CP32
Pilot Operated

DH Low Pressure



DG Low Pressure

Back Pressure Regulators



26-1700 Versatile



26-2300 High Accuracy



26-2500 High Flow



44-1700 Economical



BB-3 Miniature

Product Series /Features (Back Pressure)	Controlled Pressure Ranges	Flow Capacity	Body Material
26-1700 Series: Versatile <ul style="list-style-type: none"> Extremely sensitive Ideal for both gas & liquid service High temperature versions available Accuracy : $\pm 1\%$ of relief pressure range 	5-500, 5-800, 10-1,500, 15-2,500, 25-4,000, 50-6,000, 200-10,000 200-15,000 PSIG	$C_V = .02$ $C_V = .10$ $C_V = .14$ $C_V = .60$	300 or 316 SST
26-2300 Series: High Accuracy <ul style="list-style-type: none"> Precise pressure control Diaphragm sensed - highly sensitive Crack to reseal: 2% of set pressure Bubble-tight shutoff at all reseating pressures 	5-50, 10-150, 10-250 PSIG	$C_V = .06$ $C_V = .60$ $C_V = 1.0$	300 or 316 SST
26-2500 Series: High Flow <ul style="list-style-type: none"> Large Gylon® diaphragm for excellent sensitivity Bubble-tight shutoff at all reseating pressures 1/2", 3/4" and 1" NPT inlet and outlet port sizes 	0-20, 0-50, 0-125, 0-200 PSIG	$C_V = 5.0$	Brass or 316 SST
26-2900 Series: Tracking <ul style="list-style-type: none"> High Flow Negative spring bias Designed for BIBS application Diaphragm sensed - highly sensitive 	1,000 PSIG	$C_V = 2.0$	Brass or 300 SST
44-1700 Series: Economical <ul style="list-style-type: none"> Piston sensed - highly reliable Compact design Close pressure differential between crack and reseal Adjustable pressure stop standard 	40-150, 100-700 or 100-800 PSIG	$C_V = .10$	Brass or 316 SST
BB-3 Series: Miniature <ul style="list-style-type: none"> Economical & extremely compact Durable piston sensor design High temperature (to 400 °F) version High flow capacity 	0-80, 0-140, 0-220, 0-250*, 0-3000* PSIG <i>* dome load only</i>	$C_V = .20$ $C_V = .50$	Aluminum or 316 SST
44-2300 Series: Economical <ul style="list-style-type: none"> Hand adjustable Diaphragm-sensed Dome loaded Four relief pressure ranges 	0-25, 0-50, 0-100, 0-250 PSIG	$C_V = .08$	Brass or 316L SST
44-4700 Series: Sub-atmospheric <ul style="list-style-type: none"> Metal to metal diaphragm assures minimum inboard/outboard leakage Controls sub-atmospheric to positive pressures High flow capacity Negative spring bias 	28" Hg VAC - 15 PSIG 28" Hg VAC - 50 PSIG 28" Hg VAC - 100 PSIG 28" Hg VAC - 150 PSIG	$C_V = .04$ $C_V = .30$	316L SST

Hydraulic Regulators - Pressure Reducing & Back Pressure



54-2000
High Pressure



54-2200
High Pressure



54-2700 High Flow/
Back Pressure



54-2800 High Flow/ High
Pressure

Product Series/Features (Pressure Reducing)	Inlet Pressure (maximum)	Outlet Pressure Ranges	Flow Capacity	Body Material
54-2000 Series: High Pressure /Reducing				
<ul style="list-style-type: none"> Rugged design, high pressure service Hardened metal to metal seats for heavy duty service System pressures to 20,000 PSIG available Captured venting standard 	10,000 PSIG	5-500, 5-800, 10-1500, 15-2500, 25-4000, 50-6000, 200-10,000 PSIG	$C_V = .06$	300 or 316 SST
54-2200 Series: High Pressure				
<ul style="list-style-type: none"> High flow capacity: $C_V = 2.0$ Hardened metal to metal seats for heavy duty service Self-venting is standard 	8,000 PSIG 10,000 PSIG	5-500, 5-800, 10-1500, 15-2500, 25-400, 50-6000, 200-10,000 PSIG	$C_V = 2.0$	300 SST
54-2800 Series: High Flow /Reducing				
<ul style="list-style-type: none"> Flow capacity: $C_V = 8.0$ Inlet & outlet pressures up to 5,000 PSIG Choice of air ratio or dome loading Hardened metal to metal seats for heavy duty service 	5,000 PSIG	50-1500, 200-5000 PSIG	$C_V = 8.0$	300 SST
Product Series/Features (Back Pressure)	Controlled Pressure Ranges		Flow Capacity	Body Material
54-2100 Series: Back Pressure /Relief Valve				
<ul style="list-style-type: none"> Accuracy: $\pm 1\%$ of pressure range Hardened metal to metal seats for heavy duty service Eight pressure ranges up to 15,000 PSIG 	0-500, 0-800, 10-1500, 15-2500, 25-4000, 50-6000, 200--10,000, 300-15,000 PSIG		$C_V = .08$	300 or 316 SST
54-2300 Series: High Pressure /High Flow - BPR				
<ul style="list-style-type: none"> Control pressures to 10,000 PSIG Flow capacity: $C_V = 1.6$ Excellent crack to reseat ratio Hardened metal to metal seats for heavy duty service 	750, 1500, 3500 5000, 10,000 PSIG		$C_V = 1.6$	300 SST
54-2700 Series: High Flow /Back Pressure				
<ul style="list-style-type: none"> Flow capacity: $C_V = 5.0$ Choice of dome loaded, spring loaded, or air ratio device 	5-500, 50-5500 PSIG		$C_V = 2.0$ $C_V = 5.0$	300 or 316 SST

Corrosion Resistant, Specialty Gas & Petrochemical Regulators



04 Miniature/
Lecture Bottle



44-2200 Compact



44-3200 High Flow/
Purge



44-3400 Two Stage

Product Series /Features (Pressure Reducing)	Inlet Pressure (maximum)	Outlet Pressure Ranges	Flow Capacity	Body Material
04 Series: Miniature/Lecture Bottle <ul style="list-style-type: none"> Choice of 1/8" or 1/4" in & out ports Minimal internal volume Choice of 316 SST or brass 	3,500 PSIG	0-30, 0-60, 0-100 PSIG	C _V = .06	Brass or 316L SST
44-2200 Series: Compact/General Purpose <ul style="list-style-type: none"> 1/4" inlet and outlet ports Diaphragm sensed - highly sensitive Various trim options available 	3,500 PSIG 400 PSIG	1-25, 1-50, 1-100, 2-250, 2-500 PSIG maximum	C _V = .02 C _V = .06 C _V = .15 C _V = .24	Brass, 316L SST, Hastelloy-C® or Monel®
44-2600 Series: General Purpose/ Large Diaphragm <ul style="list-style-type: none"> Increased sensitivity, minimal droop Repeatability: ±1/2% of outlet pressure range Accuracy: ±1% of outlet pressure 	3,500 PSIG 400 PSIG	1-25, 1-50, 1-100, 1-150 PSIG	C _V = .02 C _V = .06 C _V = .15 C _V = .24	316L SST
44-2800 Series: Positive Seal <ul style="list-style-type: none"> Mechanical link between diaphragm & main valve prevents pressure creep Positionable captured vent bonnet 	3,000 PSIG	1-25, 1-50, 1-100, 1-150 PSIG	C _V = .16	316L SST
44-3200 Series: High Flow/Purge <ul style="list-style-type: none"> Ideal purge regulator High pressure inlet version incorporates a balanced main valve to minimize inlet pressure fluctuation 	500 or 3,000 PSIG	5-25, 5-50, 5-100, 5-150, 5-200 PSIG	C _V = 1.0 C _V = 1.8	Brass or 316L SST
44-3400 Series: General Purpose/ Two Stage <ul style="list-style-type: none"> Decaying inlet characteristic: .04 per 100 PSIG inlet pressure change Various trim options available 	3,500 PSIG	2-25, 2-50, 3-100, 3-150, 3-250 PSIG	C _V = .05	Brass or 316L SST
44-5000 Series: Absolute Pressure <ul style="list-style-type: none"> Control pressure range: vacuum to low positive pressures 	120, 400, 3,500 PSIG	28" Hg Vac to 15 PSIG 28" Hg Vac to 25 PSIG 28" Hg Vac to 50 PSIG 28" Hg Vac to 100 PSIG	C _V = .06 C _V = .15 C _V = .24	316L SST
FR 2000 Series: Facilities Regulator <ul style="list-style-type: none"> Ideal purge regulator for low pressure systems Negative bias spring enhances performance at low pressures Balanced main valve minimizes inlet pressure fluctuations 	500 PSIG	0-15, 0-30, 0-75, 0-150 PSIG	C _V = 1.8	316L SST
Product Series/Features (Back Pressure)	Controlled Pressure Ranges		Flow Capacity	Body Material
44-2300 Series: Back Pressure <ul style="list-style-type: none"> Economical, general purpose 	0-25, 0-50, 0-100, 0-250 PSIG		C _V = .08	Brass or 316L SST

Corrosion Resistant, Specialty Gas & Petrochemical Regulators



44-4800 Electric Heated Vaporizing



TM Top Mount Regulator

Product Series/Features (Pressure Reducing)	Inlet Pressure (maximum)	Outlet Pressure Ranges	Flow Capacity	Body Material
44-4800 Series: Vaporizing Regulator <ul style="list-style-type: none"> Available in steam heated & electrically heated versions Field replaceable heat exchanger tubes Electric unit available in 120 volt/150 watt or 250 volt/150 watt version. Meets National Electric Code requirements for Class 1, DIV 1 - Groups B, C & D CSA approved 50 watt version and CENELEC approved 100 watt (230 VAC) version available. (Class 1, DIV 1 - Groups C & D) Media heated before and after pressure reduction. Temperature changes accomplished quickly, accurately 	3,500 PSIG	Up to 500 PSIG	$C_v = .06$	316L SST
TM Series: Top Mount Regulator <ul style="list-style-type: none"> Reduces plumbing time and increases leak integrity Compact size, small footprint Complies to SP76 Standard 	1,000 PSIG	0-30, 0-60, 0-100 PSIG	$C_v = .02$ $C_v = .06$	316L SST

Changeovers



ACS012 Automatic Changeover



CS2200 Changeover System



NA-3 Changeover System

Product Series/Features	Inlet Pressure (maximum)	Outlet Pressure Ranges	Flow Capacity	Body Material
ACS012 Series: Automatic Changeover <ul style="list-style-type: none"> Eliminates downtime caused by depleted gas supplies Incorporates 44-2200 regulators 	400 or 3,500 PSIG	100, 150, 200, 250 PSIG	$C_v = .06$	Brass or 316L SST
ACS3200 Series: High Flow Changeover <ul style="list-style-type: none"> High flow capacity: 50 scfm Based on TESCO field-proven 44-3200 Series Regulator Eliminates downtime caused by depleted gas supplies 	3,000 PSIG	160-200 PSIG	$C_v = 1.2$	Brass or 316L SST
CR441800 Series: High Pressure Changeover <ul style="list-style-type: none"> Inlet pressures up to 6,000 PSIG Based on TESCO's field proven 44-1800 Series Regulator Eliminates downtime caused by depleted gas supplies 	3,500 PSIG 6,000 PSIG	5-500, 5-600, 10-700, 10-800, 10-900, 10-1,000 PSIG	$C_v = .06$	Brass or 316L SST
CS-2200 Series: Changeover System <ul style="list-style-type: none"> Eliminates downtime caused by depleted gas supplies Single body changeover regulator plus a point-of-use regulator Incorporates 44-2200 regulators 	3,500 PSIG	0-25, 0-50, 0-100, 0-150 PSIG	$C_v = .06$	Brass or 316L SST
NA-3 Series: Changeover System <ul style="list-style-type: none"> Includes changeover and line regulator Cylinder, vent and outlet shutoff valves standard 	3,000 PSIG	0-100, 0-200 PSIG	$C_v = .06$	Brass or 316L SST
NA-9 Series: Changeover System <ul style="list-style-type: none"> Identical to NA-3 but offers multiple bottle hook-ups 	3,000 PSIG	0-100, 0-200 PSIG	$C_v = .06$	Brass or 316L SST

Custom Pressure Reducing & Back Pressure Regulators



Cartridge Regulator (BB Series)



42 MW Welded Diaphragm Instrument Isolator (shown with the SJS Series regulator)



Air Actuator (26-2000 Series)

Cartridge Regulators

- Cartridge style externally threaded regulators are designed to be easily installed in a manifold block
- Obvious benefits include: reduced piping, elimination of connections, reduced space requirement, ease of service
- Can be furnished in a wide variety of pressure reducing or back pressure styles
- Contact factory for application assistance

Differential / Tracking Regulators

- Designed to provide a controlled pressure which is the sum of a signal (reference) pressure and a bias pressure (bias can be positive or negative)
- Applications include: automatic pressure compensation for mechanical (pump) seals, control of fugitive emissions, reduction of breathing gases in commercial or military diving

SJS Series Regulator

- Maintains accurate differential pressure when incorporated into a double seal system
- Tracks upsets in system pressure and decreases downtime by increasing seal life

42 MW Welded Diaphragm Instrument Isolator

- Isolates and protects the regulator from corrosive process media
- Intended for use with our wide range of tracking regulators
- Assists in the control of pressure in fugitive emission and/or mechanical seals applications

Air Actuators

- Available for a wide range of pressure reducing and back pressure regulators
- Allows regulator to be remote actuated by an air signal from an external air source or by one of TESCOM's electronic controllers
- Control pressures may vary from 20 to 20,000 PSIG
- Ratios between actuator pressure and control pressure are available from 3:1 to 150:1
- Compared to conventional spring loading, air actuation offers improved regulator performance

Alternative Fuels



20-1200 High Pressure Hydrogen



20-1400 High Flow / Low Pressure



44-6000 In-Line

Product Series /Features	Inlet Pressure (maximum)	Outlet Pressure Ranges	Flow Capacity	Body Material
20-1000 Series: Compressed Natural Gas <ul style="list-style-type: none"> • Balanced main valve minimizes inlet pressure fluctuations • Piston sensed - highly reliable • Water heat jacket standard 	3,600 PSIG	0-500 PSIG	$C_v = .5$	Aluminum
20-1200 Series: High Pressure Hydrogen <ul style="list-style-type: none"> • Nickel-plated aluminum • Large piston sensor • All regulators tamper-proof 	5,000 PSIG 10,000 PSIG	0-500 PSIG	$C_v = .5$	Aluminum 316 SST
20-1400 Series: High Flow / Low Pressure <ul style="list-style-type: none"> • Diaphragm sensed - highly sensitive • Dome load spring bias ± 2 PSIG • Captured bonnet design for safety 	250 PSIG	0-190 PSIG	$C_v = 1.6$	Aluminum
44-6000 Series: In-Line High Pressure <ul style="list-style-type: none"> • Balanced main valve design • Positive shutoff seal • Captured bonnet available • Patent pending 	10,000 PSIG	120, 150, 300 PSIG (all pre-set)	$C_v = .3$	316 SST

Valves



30-1100 Shutoff Valve



CC Metering Valve



FL7000 Flow Limit Valve



VA & VG Air-Operated ON/OFF Valves



VA Valve - toggle actuated

Product Series/Features	Operating Pressure (maximum)	Flow Capacity	Body Material
30 Series: Shutoff Valves <ul style="list-style-type: none"> Globe or angle pattern Built-in metallic stop prevents over-torquing - reduces seat wear 30-1100 Series: available with metering capability (long stem optional) Bi-directional flow (all models) 	10,000 PSIG	30-1100 globe: $C_v = .28$ 30-1100 angle: $C_v = .49$ 30-1300 globe: $C_v = 1.57$ 30-1300 angle: $C_v = 2.30$ 30-1200 globe: $C_v = 8.0$ 30-1200 angle: $C_v = 10.0$ 30-1400 globe: $C_v = 20.0$	300 SST
CC Series: Metering Valve <ul style="list-style-type: none"> Precise control at very low flows For liquid or gas applications 20+ turns from shutoff to full open Non-rotating stem reduces seat wear 	Full vacuum to 10,000 PSIG	$C_v = .00005$ $C_v = .00125$	316 SST
FL7000 Series: Flow Limit Valve <ul style="list-style-type: none"> Designed to stop flow automatically when flow exceeds a pre-set limit Flow range: 0-6 SCFM (N_2@1000 PSIG) Protects downstream personnel & equipment from exposure to hazardous media 	100-1,000 PSIG 300-2,500 PSIG 600-5,000 PSIG		316 SST
VA & VG Series: Air Operated ON/OFF Valves <ul style="list-style-type: none"> Normally open or normally closed Balanced main valve - reduces required actuation pressure (30-60 PSIG) Compact package Toggle actuator optional Solenoid valve actuation (pneumatic assist) optional 	6,000, 10,000 15,000, 20,000 PSIG	VA: $C_v = .75$ VG: $C_v = 2.0$	Brass or 316 SST
VJ Series: Cartridge Valves <ul style="list-style-type: none"> Bi-directional flow Built-in metallic stop Globe or angle pattern O_2 compatible design 	6,000 or 10,000 PSIG	angle: $C_v = .49$ globe: $C_v = .28$	Brass or 316 SST
VL Series: $C_v=10$ <ul style="list-style-type: none"> Balanced main valve - reduces required actuation pressure Normally closed In-line flow configuration U.S. patent pending 	6,000 PSIG	$C_v=10$	316 SST



VJ Bi-Directional Shut-off Valve



VL Series $C_v=10$ In-line Valve

Clean Pharmpure™ Regulators for Biotech & Pharmaceutical



PH-1800 Low Pressure
Very High Flow



PH-2200 - Low Flow



PH-2600 - Low Flow



PH-3200 - Medium Flow

All Pharmpure™ regulators are compliant with the MJ and SF sections of BPE-2005. Clean Service Certification option is available.

Regulator Series /Features	Inlet Pressure (maximum)	Outlet Pressure Ranges	Flow Capacity	Body & Finishes
PH-1600: Low Pressure, High Flow <ul style="list-style-type: none"> FDA Title 21 & USP Class VI Materials Flows to 250 SCFM N₂ Gas and clean steam versions Ports from 1/2" - 1 1/2" tube ends, sanitary 	300 PSIG	1-20, 1-50, 1-100, 2-300 PSIG	C _v =5.0	Brass or 316L SST 25 R _a available (SST version only)
PH-1800: Low Pressure, Very High Flow <ul style="list-style-type: none"> FDA Title 21 & USP Class VI Materials Flows to 1400 SCFM N₂ Gas and clean steam versions Ports from 3/4" - 1 1/2" tube ends, sanitary 	300 PSIG	1-20, 1-50, 1-100, 2-150 PSIG	C _v = 10	Brass or 316L SST 25 R _a available (SST version only)
PH-2200: Compact, Low Pressure, Low Flow <ul style="list-style-type: none"> FDA Title 21 & USP Class VI Materials Flows to 5 SCFM for specialty gas & clean air applications Ports from 3/8" - 1/2" tube ends, sanitary 	150 PSIG	1-10, 1-25, 1-50, 1-100 PSIG	C _v =.06 C _v =.15 C _v =.24	Brass or 316L SST 15 or 32 R _a available (SST version only)
PH-2600: Compact, Low Pressure, Low Flow <ul style="list-style-type: none"> FDA Title 21 & USP Class VI Materials Flows to 10 SCFM for specialty gas & clean air applications Ports from 3/8" - 1/2" tube ends, sanitary 	150 PSIG	1-10, 1-25, 1-50, 1-100 PSIG	C _v =.06 C _v =.15 C _v =.24	Brass or 316L SST 15 or 32 R _a available (SST version only)
PH-3200: Compact, Low Pressure, Medium Flow <ul style="list-style-type: none"> FDA Title 21 & USP Class VI Materials Gas and clean steam versions Tracking version for agitator seals Gas flows to 50 SCFM N₂ 	500 PSIG	5-25, 5-50, 5-100 PSIG	C _v =1.0 C _v =1.8	Brass or 316L SST 15 or 32 R _a available (SST version only)

Custom Manifolds & Systems



Custom Test Stand

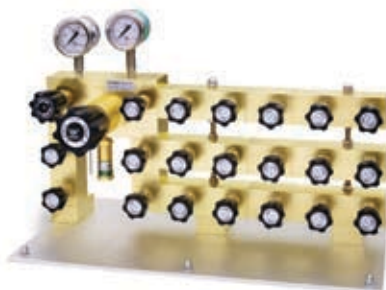
TESCOM's Systems Group designs and builds unique pressure and flow control solutions. We provide standard designs and custom remedies from the component level up – capabilities not found with other system integrators.

- Our engineers offer in-depth understanding of fluid control. We've designed pressure controls, manifolds and assemblies for more than forty years.
- Controlling gases and liquids across a wide range of pressures and flows, our systems are capable of 60,000 PSIG.
- Utilizing manifold technology, TESCOM systems minimize potential leak paths, save space and service time while reducing cost.
- We offer a wide array of mechanical and electro-mechanical systems from charging carts to test stands with custom software.
- Meeting stringent domestic and international performance requirements has become standard operating procedure at TESCOM.

Custom Manifolds & Systems - continued



Hydrogen Cylinder Valve Control Manifold



Custom Diving Manifold



Bracket Assembly with Regulator Component



Automatic Changeover for UHP Hydrogen Service



Burst Test Stand - Hydro-static testing of car radiator hoses



Aircraft Charging Cart (3 bottle version)

Electronic Pressure Controls



Auto Cascade System

Auto Cascade System

- Patent Pending
- Automatic operation and priority fill
- 10,000 PSIG maximum operating pressure
- Simultaneously charge and dispense
- Cartridge servicing for easy maintenance

ER300X Series Digital Pressure Controller

- Precise accuracy: $\pm .1\%$ FSO! (ER3001 in Internal Feedback Mode)
- Features controlled outlet pressure from 0-100 PSIG as a stand alone unit
- Compatible pressure regulators available offering vacuum to 20,000 PSIG control
- Selectable setpoint signal source:
 - External analog, digital RS485, downloadable profile
- Selectable feedback signal source:
 - Internal 0-100 PSIG sensor, external analog
- Selectable failsafe features
- NEMA 4X enclosure
- CE and CSA approved
- Two enhanced (extra cost) versions, ER3000 FI and FV, offer additional analog/digital inputs allowing the user even more sophisticated control. These models also include analog sensor output.
- Free Windows® tuning and interface software provided
- RS485 convertors, power supplies and pre-wired models also available



ER3000 Digital Pressure Controller

Electronic Pressure Controls - continued



ER3040 Series

ER3000E Series Explosion-Proof Control

- FM approved enclosure for Class 1, Division 1, Group B, C and D.
- Same features and benefits as ER3000 (above)

ER3040 Series

- Features of the ER3000 with OEM base, no cover
- Not available in Explosion-Proof

ER3000 / 26-2000 Series - High Accuracy, High Pressure Control

- Designed for applications where high accuracy and reliability are critical
- Choice of outlet pressure ranges to 20,000 PSIG
- Excellent for calibration systems



ER3110 Compact Integrated Unit

ER3020 Series - High Pressure, Low Flow Integrated Systems

- Integrates with 26-1000 Dual Piston Regulator to achieve 10-9000 PSIG in 395 milliseconds
- Choice of outlet pressure ranges to 10,000 PSIG
- Gas or liquid applications
- Segregated venting
- Flow capacity: $C_v=0.06$
- Other integrated regulators available



269-529 Low Pressure/High Flow Regulator

ER3100 Series - High Flow Control

- Integrates with 44-4000 venting regulator
- Choice of 500 or 900 PSIG outlet ranges
- Flow capacity: $C_v=0.7$ or 2.0
- Available in brass or stainless steel

ER3110 Series - Compact Integrated Unit

- Integrates with 44-5200 regulator, standard options available
- Features identical to the ER3000 (shown on page 11)
- Choice of outlet pressure ranges to 500 PSIG
- Reference pressure: 100 PSIG
- Flow capacity: $C_v=0.06$ or 0.15
- Venting or non-venting

269-529 Series - Low Pressure/High Flow Pressure Regulator

- Maximum inlet pressure: 300 PSIG
- Controlled outlet pressure to 100 PSIG, some models up to 300 PSIG
- NPT ports from 1/4" to 2-1/2"
- Flow capacity: C_v values up to 45
- Exceptional low pressure control throughout flow range



70-2000 Motorized Actuator

70-2000 Series Motorized Actuator

- 24 VDC motorized actuator provides remote adjustment of regulator setpoint
- Adaptable to 26-1000, 26-1600, 26-1700, 26-2300, 54-2000 and 54-2100 Series Regulators
- Variable speed control with adjustable limit stops to prevent over-travel

Pressure Transducers

- Ideal for use in ER3000 applications where an external feedback is required
- Provides extremely stable and repeatable hydraulic and pneumatic pressure measurements
- .1%, 0.25% and 0.5% accuracy available
- Choice of 4-20 mA, 0-10 VDC versions
- Wide choice of pressure ranges (including sub-atmospheric)



Pressure Transducers

Gauges & Filters



Gauges



Mini In-Line Filters

Product Series/Features	Operating Pressure (maximum)	Body Material
Pressure Gauges (2" & 2.5" dia.) <ul style="list-style-type: none"> • Brass or Stainless Steel construction • Pressure ranges from sub-atmospheric to 10,000 PSIG • 1/4" NPT connections 	sub-atmospheric to 10,000 PSIG	Brass or 316 SST
Filters - High Pressure (10 micron) <ul style="list-style-type: none"> • 98-1010 Series Mini In-Line filter: <ul style="list-style-type: none"> • For systems with size limitations • 98-1110 Series T-Type Filter: <ul style="list-style-type: none"> • Designed for high flow applications • Features cleanable element • Available options: electrical, visual, bypass valve, visual pressure differential indicator, bypass relief valve, electrical bypass • 98-1210 Series In-Line Filter: <ul style="list-style-type: none"> • For systems with size limitations • Cleanable element 	6,000 PSIG 6,000, 10,000 PSIG 3,000, 6,000, 10,000 PSIG	304 SST 300 SST 300 and 17-4 SST

TESCOM Manufacturing & Distributor Network ... *a global presence!*



Industrial Controls & Systems Group

Industrial Controls and Systems Group

Elk River, Minnesota USA

TESCOM Industrial Controls provides standard and custom pressure control solutions. We design, manufacture and sell a wide range of regulators and valves to a diverse global market. The Systems Group designs and manufactures leading technology pressure systems, assemblies and manifolds.



High Purity Controls

High Purity Controls

Elk River, Minnesota USA

High Purity Controls designs and manufactures ultra-clean pressure regulators, valves and integrated gas system components for the semiconductor manufacturing & fiber optic industries.

TESCOM Europe

Selmsdorf, GERMANY

Located to directly meet the needs of the European customer, TESCOM Europe is a complete design, manufacture and service facility offering a full range of pressure control solutions.



TESCOM Europe

Global Support and Distribution

TESCOM distributor support centers are located in most major cities worldwide. More than 100 locations provide application assistance and quality TESCOM product. TESCOM sales offices are located in California, New Jersey, Scotland, South Korea, Singapore and Shanghai.

For a distributor location near you, call **800-447-1250** or **763-241-3238** or visit our web site: **www.tescom.com**.

**Ask for a FREE CATALOG and/or CD
featuring our full range of industrial
pressure controls and systems!**

**Ultra-high purity pressure controls
are available from our HIGH PURITY
CONTROLS group.**

*Global technical support & distribution
Design & manufacturing facilities in the U.S.A., Germany & China*

TESCOM

Industrial Controls & Systems

12616 Industrial Boulevard

Elk River, MN 55330-2491

U.S.A.

1-800-447-1250 (Industrial Controls)

1-800-447-1204 (Systems)

Tel: (763) 241-3238

Fax: (763) 241-3224

e-mail: ic@tescom.com or systems@tescom.com

or visit us at our web site:

www.tescom.com

An ISO 9001 Quality System Certified Company

経済産業大臣認定試験者

**METI Certified Self-Inspecting Manufacturer
MAB 491-N**

The Emerson logo is a trademark and service mark of Emerson Electric Co. Tescom is a mark of one of the Emerson Process Management families of companies. All other marks are property of their respective owners.

The contents of this publication are presented for information purposes only, and while effort has been made to ensure their accuracy, they are not to be construed as warranties or guarantees, expressed or implied, regarding the products or services described herein or their use or applicability. All sales are governed by our terms and conditions, which are available on request. We reserve the right to modify or improve the designs or specifications of our products at any time without notice.

Represented by:

TESCOM


EMERSON
Process Management