

# PROCON<sup>®</sup>

## SERIES 2 AND 3 Magnetically Coupled Pumps

### Positive Displacement Rotary Vane

#### GENERAL INFORMATION

PROCON's Series 2 and 3 magnetically coupled pumps are of the positive displacement rotary-vane type with flow rate capacities to 140 gallons per hour and discharge pressures up to 180 PSI.

- Brass or stainless steel construction available.
- Increased fluid compatibility through elimination of the mechanical seal.
- Extremely quiet in operation.
- Preassembled, tested and shipped as a space saving package.
- Uniquely capable of handling many liquids with low lubricating characteristics at relatively high pressures.
- Carbon bearing surfaces and unique no seal design eliminate metal-to-metal contact and make PROCON pumps low in starting torque.
- Eliminates drive-line wear caused by conventional couplings.
- PROCON pumps are self priming up to six feet, wet.
- PROCON pumps are quiet and have low vibration and pulsation characteristics.
- Flow remains constant over the entire pressure range.
- PROCON pumps are virtually maintenance-free throughout their entire life.
- NSF International listed pumps are available.
- UL, cUL Recognized Motor Construction



#### OPTIONS

- Motor
  - 115/230 Volt 60/50 Hertz
- Magnet Options
  - C1 Magnets (Low Torque)
  - C8 Magnets (High Torque)

#### STANDARD SPECIFICATIONS

Body Material	Type 303 stainless steel or brass
Capacity	15 to 140 GPH
Nominal Speed	1725 RPM
Typical Horsepower Required	1/6 to 1/3 HP
Maximum Discharge Pressure	180 PSI
Rotation (viewed from nameplate end)	Clockwise
Dry Weight	Approximately 14 lbs.
Dimensions	5.13" x4.38" x9.50"
Self Priming (water)	6 ft. Maximum Lift
Port Size	3/8 NPT Inlet and Outlet

## PROCON<sup>®</sup> Products

Food Service Group

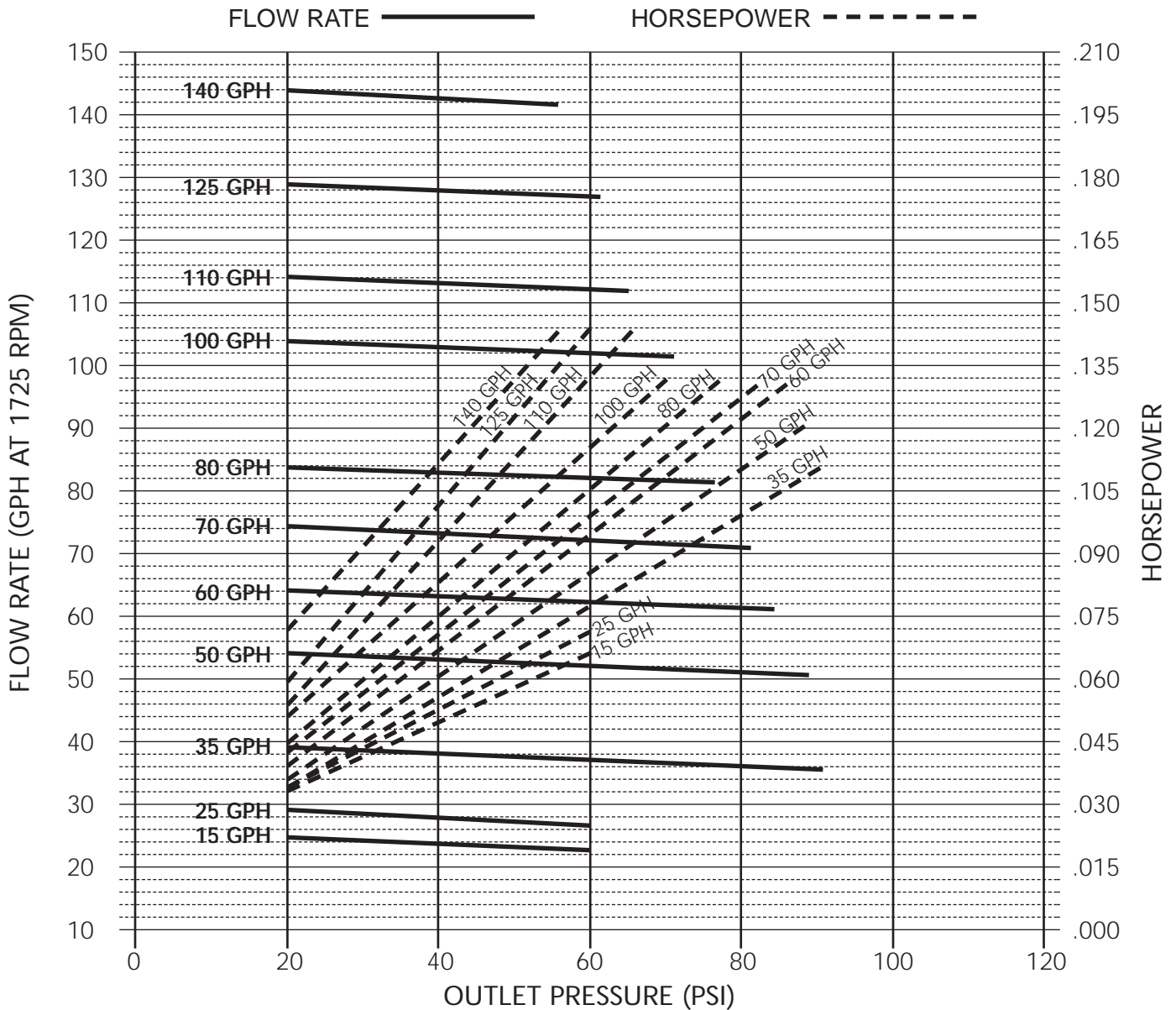
910 Ridgely Road  
Murfreesboro, TN 37129 U.S.A.

Telephone: (615) 890-5710  
Fax: (615) 896-7729

Email: mail@proconpump.com  
www.proconpump.com

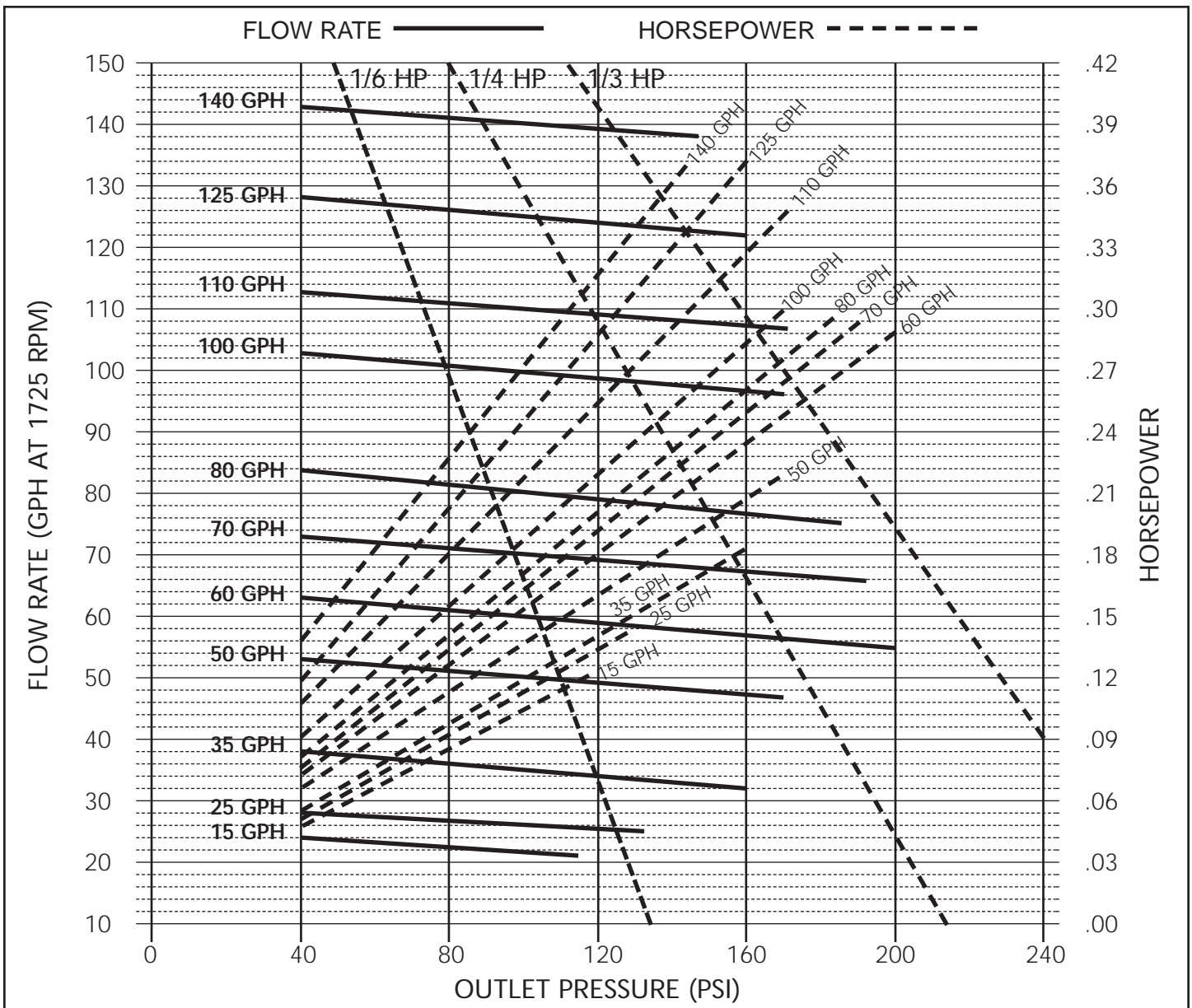
## SERIES 2 & 3 WITH C1 MAGNETIC DRIVE NOMINAL VALUES

FLOW RATE (GPH)	GALLONS PER HOUR					BRAKE HORSEPOWER				
	PRESSURE (PSI)					PRESSURE (PSI)				
	20	40	60	80	100	20	40	60	80	100
140	144	143	-	-	-	.06	.11	-	-	-
125	129	128	127	-	-	.06	.10	.14	-	-
110	114	113	112	-	-	.05	.09	.13	-	-
100	104	103	102	-	-	.05	.08	.12	-	-
80	84	83	82	-	-	.04	.08	.11	-	-
70	74	73	72	71	-	.04	.07	.10	.13	-
60	64	63	62	61	-	.04	.07	.10	.12	-
50	54	53	52	51	-	.04	.06	.09	.12	-
35	39	38	37	36	-	.03	.06	.08	.10	-
25	29	28	27	-	-	.03	.05	.07	-	-
15	25	24	23	-	-	.03	.05	.07	-	-



## SERIES 2 & 3 WITH C8 MAGNETIC DRIVE NOMINAL VALUES

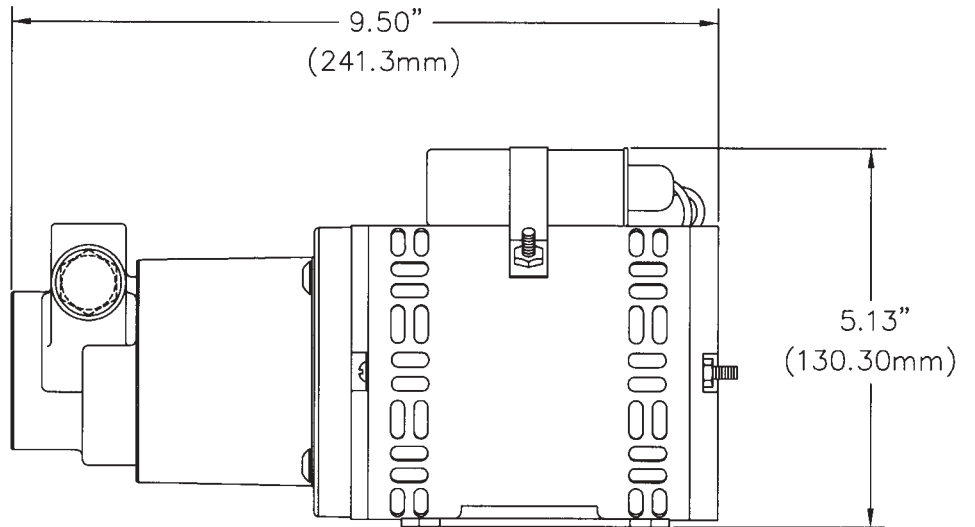
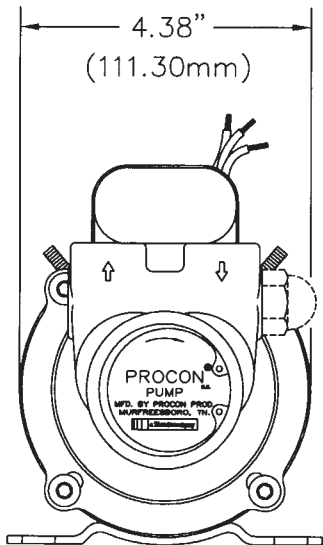
FLOW RATE (GPH)	GALLONS PER HOUR					BRAKE HORSEPOWER				
	PRESSURE (PSI)					PRESSURE (PSI)				
	40	80	120	160	200	40	80	120	160	200
140	143	141	139	-	-	.13	.22	.32	-	-
125	128	126	124	122	-	.12	.20	.29	.37	-
110	113	110	108	106	-	.11	.18	.25	.33	-
100	103	101	99	97	-	.09	.15	.22	.28	-
80	84	82	79	77	-	.08	.14	.20	.26	-
70	75	73	71	69	-	.08	.14	.19	.25	-
60	63	61	59	57	55	.07	.13	.18	.23	.29
50	53	51	49	47	-	.06	.11	.16	.21	-
35	38	36	34	-	-	.05	.09	.13	-	-
25	28	26	24	-	-	.05	.09	.12	-	-
15	24	22	-	-	-	.05	.09	-	-	-



# PROCON<sup>®</sup>

## SERIES 2 AND 3 Magnetically Coupled Pumps

Positive Displacement Rotary Vane



### NOTES:

1. ALL DIMENSIONS FOR REFERENCE ONLY
2. LEADS ARE 12"  $\pm$ 1"
3. OPTIONAL RELIEF VALVE

## TYPICAL APPLICATION SCHEMATIC

