

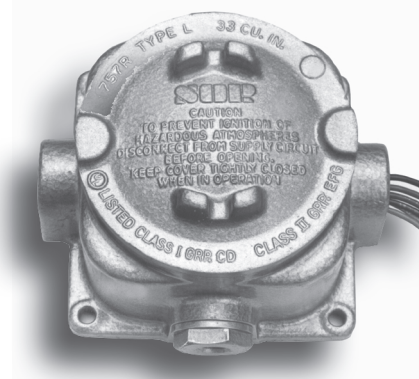


Instrument Air Pressure Switch with Explosion Proof Housing

Form 584

Product Specifications

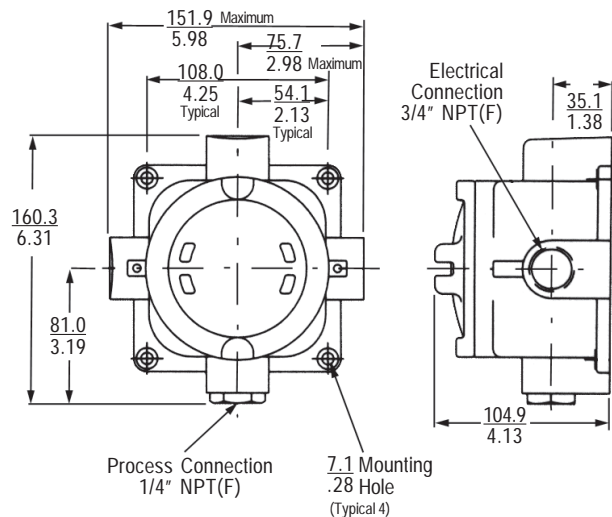
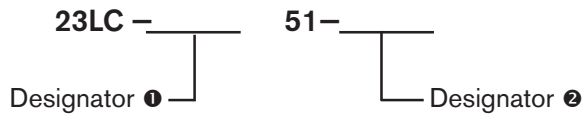
Housing	Cast aluminum Explosion Proof UL Listed as an outlet box Class I, Group C, D; Class II, Group E, F, G; Division 1 & 2
Pressure Connection	1/4" NPT(F)
Wetted Material	Aluminum, Brass, Buna-N, Nylon
Adjustable Range	2.5 to 16 psig
Deadband (maximum)	K.....0.3 psi G.....1.3 psi
Overrange	30 psig
Repeatability	±1/2% Maximum Adjustable Range



Design and specifications are subject to change without notice.

How to Order

Select designator corresponding to Set Points required and insert in model number. Accessory designator(s) may be added after 51 if required.



Linear = $\frac{\text{mm}}{\text{in.}}$

Shipping Weight: 4 lb (2kg)

Accessories

Designator ❶		AC Rating		DC Rating	
SPDT	2-SPDT independent adjustments	volts	amps	volts	amps
G	GG	250	15	125	.5
K	KK			125	.4*

*Note: Not UL recognized, but has been verified by testing and/or experience.

Description	Designator ❷
Tag, fiber. Attached with plastic wire to housing.	PP
Tag, SS. Attached with SS wire to housing.	RR
Oversize nameplate. Stamped with specified tagging information.	TT
Epoxy coating, polyamide with 316SS pigment. Exterior only.	YY



Instrument Air Pressure Switch with Weathertight Housing

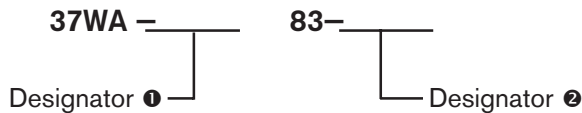
Product Specifications

Housing	Weathertight NEMA 4; Cast 319 aluminum
Electrical Conduit Connection	3/4" NPT(F)
Wetted Materials	
Convuluted diaphragm	17-7ph SS
Lower capsule member	316SS
Pressure port	316SS; 1/4" NPT(F)
Adjustable Range	1 to 18 psig (70 to 1200 mbar)
Dead Band	0.2 psig (14 mbar)
Overrange	50 psig (3450 mbar)
Repeatability	±1/2% of Adjustable Range
Temperature Influence	<1% Adjustable Range; per 100°F
Maximum Ambient Temperature	180°F

Design and specifications are subject to change without notice.

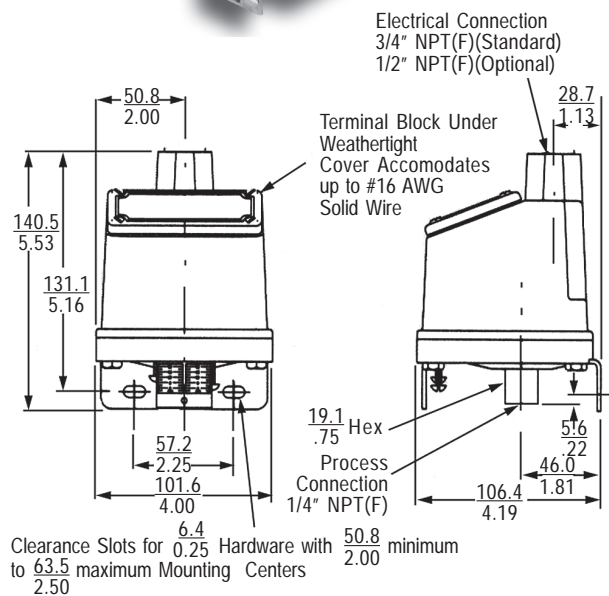
How to Order

Select designator corresponding to Set Points required and insert in model number. Accessory designator(s) may be added after 83 if required.



Designator 1		AC Rating		DC Rating*	
SPDT	2-SPDT independent adjustments	volts	amps	volts	amps
KS	KD	250	15	125	.4

*Note: Not CSA Certified or UL recognized, but has been verified by testing and/or experience.



Shipping Weight: 1 lb (0.5 kg)

Accessories

Description	Designator 2
CSA Certified pressure switch. CSA Enclosure 4.	CS
Tag, fiber. Attached with plastic wire to housing.	PP
Tag, SS. Attached with SS wire to housing.	RR
Factory set and tamper-resistant covered to prevent future adjustment of pressure switch.	TP
Oversize nameplate. Stamped with specified tagging information.	TT
Epoxy coating, polyamide with 316SS pigment, exterior only.	YY

