

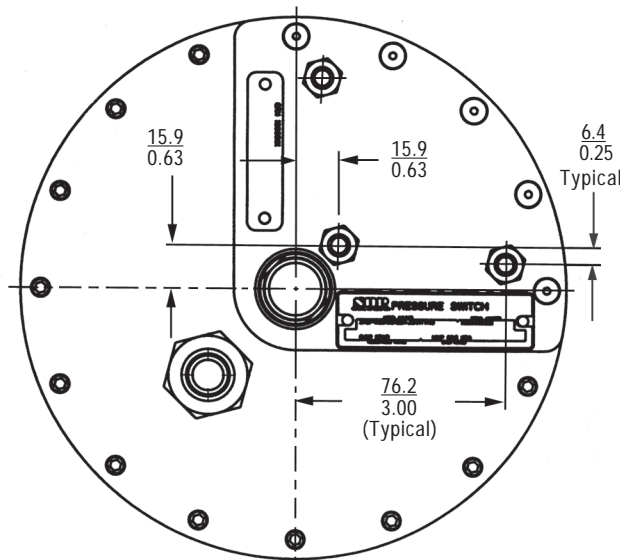
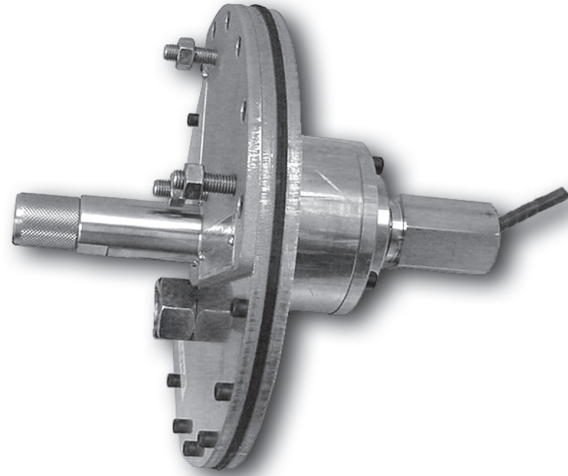


27LP Differential Pressure Switch

27LP-WD8-M9-CDA-JJRRTTNQ

Form 1142

The 27LP differential pressure switch designed for applications that require a low set point and low dead band. This switch has an adjustable range of 0 to 0.2 kPa with a typical dead band of 0.025 kPa. The switch has a live zero and may be mounted in any orientation (see Seismic Test Report for limitations). Process media must be dry air or inert gas. It is designed to CSA N-285 Class 2 requirements and subsequently is designed to comply with the requirements of ASME Section III, subsection NC. The switch is designed for maximum operating pressure of 86.2 kPa. The switch utilizes a 316SS diaphragm and piston that directly actuates the snap action microswitch. All wetted materials are 316SS with EPR seals and radiation resistant epoxy. The switch has been seismically qualified by EGS Test Report EGS-TR-23050-0132-02 and SOR supplement to this report, 8923-415.



Mounting Stud Location Detail

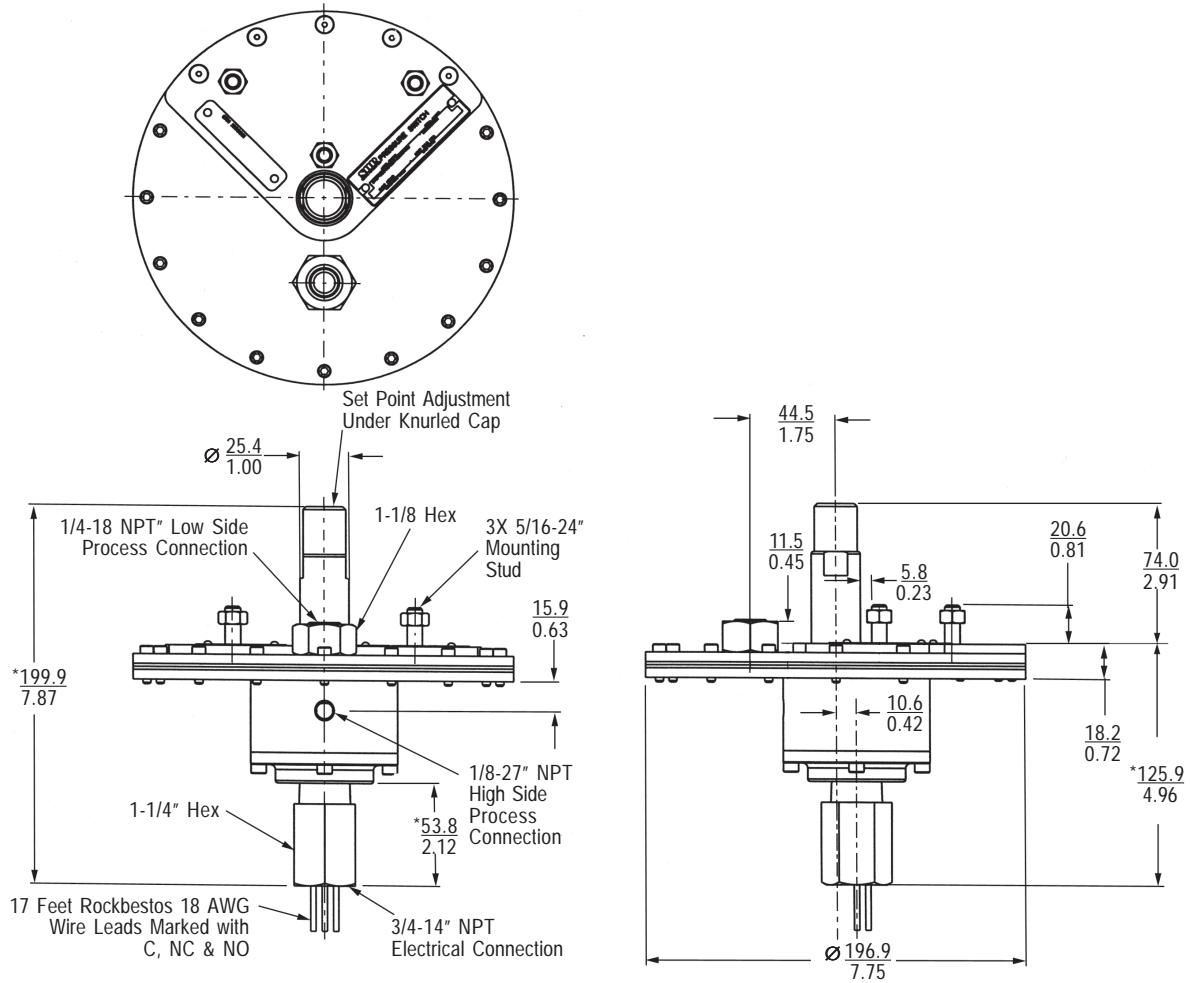
Product Specifications

For Model Number 27LP-WD8-M9-CDA-JJRRTTNQ

Range	0.0 - 0.2 kPa*
Ovrange	86.2 kPa
Dead Band	0.025 KPa Fixed
Piston	316SS
Housing	316SS
Switch Type	3/4" NPT(F) Conduit SPDT
	5 amps at 250VAC 0.3 amps at 125 VDC
	Includes Specification 8923-294 for DC test data sheet
Temperature Range	171°C Maximum
Mounting	
Orientation	Any
Connection Size	Three 5/16" studs
Process Connection	
High Side	1/8" NPT
Low Side	1/4" NPT

Airlock Differential Pressure Switch

Dimensions



***Note:** This dimension is approximate and based upon a 6-1/4 thread engagement.

