



536HS Mini-Hermet Pressure Transmitter

Form 1178

The Series 536HS Mini-Hermet pressure transmitter is a compact loop powered transmitter. It can be locally ranged in service while maintaining its explosion proof integrity which differentiates it from non-serviceable instruments. Its performance is comparable to full-size conventional transmitters. The Series 536HS consumes low current and is excellent for applications using solar power and batteries.

Features

- Ranges from 2000 to 15000 psig
- 0.25% accuracy
- 1.5 mA maximum current consumption
- In-service calibration
- EMI/RFI protection
- Intrinsically safe and explosion proof
- NEMA 4X, IP 66 housing



Product Specifications

Accuracy (Linearity, Hysteresis and Repeatability)	+0.25% of calibrated span	Output	1 to 5 VDC (1.5 mA maximum consumption)
Turndown	5:1	Minimum Impedance	100 kohms
Zero Offset	+10% URL	Circuit Protection	Reverse polarity and surge protected
Temperature Range		Construction	316SS housing (CF8M)
Compensated	-20 to 160°F (-29 to 71°C)	Process Connection	1/4" or 1/2" NPT(F)
Ambient	-40 to 185°F (-40 to 85°C)	Electrical Connection	
Process	-40 to 250°F (-40 to 121°C)	Size	1/2" NPT(M)
Storage	-40 to 185°F (-40 to 85°C)	Termination	24 AWG shielded cable, 18 inch length
Temperature Effect	+1% of URL/100°F @ -20 to 160°F	Wetted Materials	316SS port, 17-4 PH diaphragm (standard)
Long Term Stability	+0.5% URL per year	Shipping Weight	1.8 lb (0.7 kg)
Over Pressure Protection	1.5X URL	Warranty	5 years
Response Time	< 25 ms		
Supply Voltage	11-30 VDC		

Design and specifications are subject to change without notice.

Agency Approvals

Agency	Safety Method	Approval	Model(s)
CSA	Explosion Proof Intrinsically Safe	Class I, Groups A, B, C & D; Class II, Groups E, F & G; Class III, Divisions 1 & 2	536HS-VNxxx-P2-xxx-xx-CS

536HS Mini-Hermet Pressure Transmitter

How to Order

Sample Model Number

536HS - VN 5K - P2 - C 1A - TL

536HS Mini-Hermet pressure transmitter with 1-5VDC output, 0-5000 psi, 1/4" NPT and optional junction box.

Process Connection Size		2	
	1/4" NPT(F)	1A	
	1/2" NPT(F) (N/A in 10K or 15K Range)	2A	

Range		1	
0-2000 psi (0-140 bar)	2K		
0-5000 psi (0-350 bar)	5K		
0-10000 psi (0-700 bar)	10K		
0-15000 psi (0-1000 bar)	15K		

3 Accessories			
BB	Cleaned for industrial oxygen service		
CS	CSA Approved		
NC	Compliance to NACE Certification MR-01-75		
PK	Pipe mounting kit		
PP	Fiber tag with customer specified information		
RR	SS tag wired to control with customer specified information		
TL	SS junction box with terminal strip		
TT	SS nameplate affixed to housing with customer specified information		
VV	Fungicidal varnish		
YY	Epoxy coating		
	MAG DRIVER for tamper-proof zero and span adjustments P/N 9003-308		

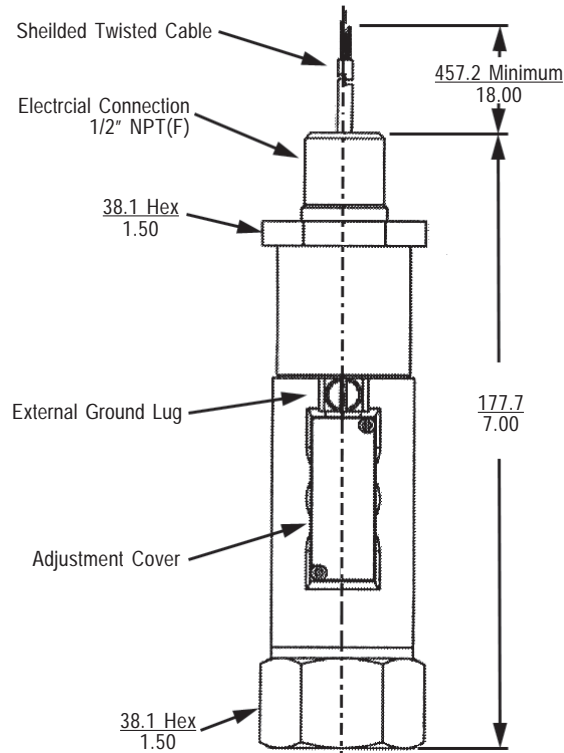
536HS	VN	5K	P2	C	1A	TL	← Model Number
-------	----	----	----	---	----	----	----------------

536HS Mini-Hermet Pressure Transmitter

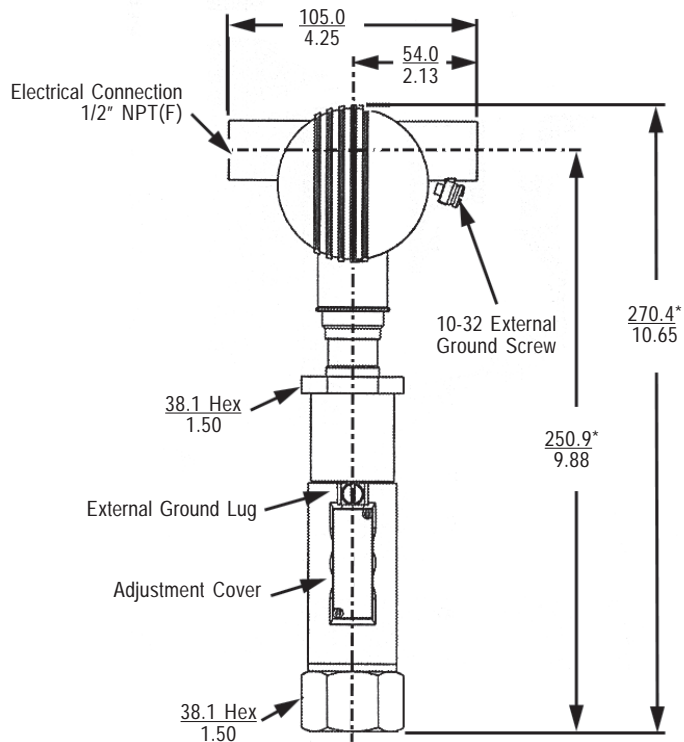
Dimensions

Dimensions shown are for reference only. Contact the factory for certified dimension drawings. Linear = mm/in.

536HS



536HS with TL Accessory



*This Dimension is Approximate and Based on 5 Thread Engagement.



Process Instrumentation

SOR INC.

14685 West 105th Street
Lenexa, Kansas 66215

Phone 913-888-2630
Toll Free 800-676-6794
Fax 913-888-0767

www.sorinc.com

Registered Quality System to ISO 9001

Form 1178 (05.02) Printed in U.S.A.