



534HS Mini-Hermet Pressure Transmitter

Form 1176

The Series 534HS Mini-Hermet pressure transmitter is a compact loop powered transmitter. It can be locally ranged in service while maintaining its explosion proof integrity which differentiates it from non-serviceable instruments. Its performance is comparable to full-size conventional transmitters. The Series 534HS is suitable for hazardous locations and hostile environments where space is limited. They meet those applications where low-cost, continuous monitoring is preferred.

Features

- Ranges from 1000 to 15000 psig
- 0.25% accuracy
- 4-20 mA, loop powered
- In-service calibration
- EMI/RFI protection
- Intrinsically Safe and explosion proof
- NEMA 4X, IP 66 housing



534HS



Product Specifications

Accuracy (Linearity, Hysteresis and Repeatability)	+0.25% of calibrated span	Output	4 to 20 mA (1-5 VDC optional), loop powered
Turndown	5:1	Loop Resistance	750 ohms @ 24 VDC
Zero Offset	+10% URL	Circuit Protection	Reverse polarity and surge protected
Temperature Range		Construction	316SS housing (CF8M)
Compensated	-20 to 160°F (-29 to 71°C)	Process Connection	1/4" or 1/2" NPT(F)
Ambient	-40 to 185°F (-40 to 85°C)	Electrical Connection	
Process	-40 to 250°F (-40 to 121°C)	Size	1/2" NPT(M)
Storage	-40 to 185°F (-40 to 85°C)	Termination	24 AWG shielded cable, 18 inch length
Temperature Effect	+1% of URL/100°F @ -20 to 160°F	Wetted Materials	316SS port, 17-4 PH diaphragm (standard)
Long Term Stability	+0.5% URL per year	Shipping Weight	1.8 lb (0.7 kg)
Over Pressure Protection	1.5X URL	Warranty	5 years
Response Time	< 25 ms		
Supply Voltage	11-30 VDC		

Design and specifications are subject to change without notice.

534HS Mini-Hermet Pressure Transmitter

How to Order

Sample Model Number

534HS - TN 5K - P9 - C 1A - NC

534HS Mini-Hermet pressure transmitter with 4-20mA output, 0-5000 psi, 1/4" NPT and optional NACE certification.

Range 2		Output 1		3 Process Connection Size		4 Accessories	
0-1000 psi (0-70 bar)	1K	4-20 mA	TN	1A	1/4" NPT(F)	BB	Cleaned for industrial oxygen service
0-2000 psi (0-140 bar)	2K	1-5 VDC (required TL accessory)	VN	2A	1/2" NPT(F) (N/A in 10K or 15K Ranges)	CS	CSA Approved
0-5000 psi (0-350 bar)	5K					CL	CENELEC Certified Flame Proof
0-10000 psi (0-700 bar)	10K					CI	CENELEC Certified Intrinsically Safe
0-15000 psi (0-1000 bar)	15K					FM	FM Approved
						NC	Compliance to NACE Certification MR-01-75
						PK	Pipe mounting kit
						PP	Fiber tag with customer specified information
						RR	SS tag wired to control with customer specified information
						TL	SS junction box with terminal strip
						TT	SS nameplate affixed to housing with customer specified information
						W	Fungicidal varnish
						YY	Epoxy coating
							MAG DRIVER for tamper-proof zero and span adjustments P/N 9003-308
534HS	TN	5K	P9 C	1A	NC	← Model Number	

Agency Approvals

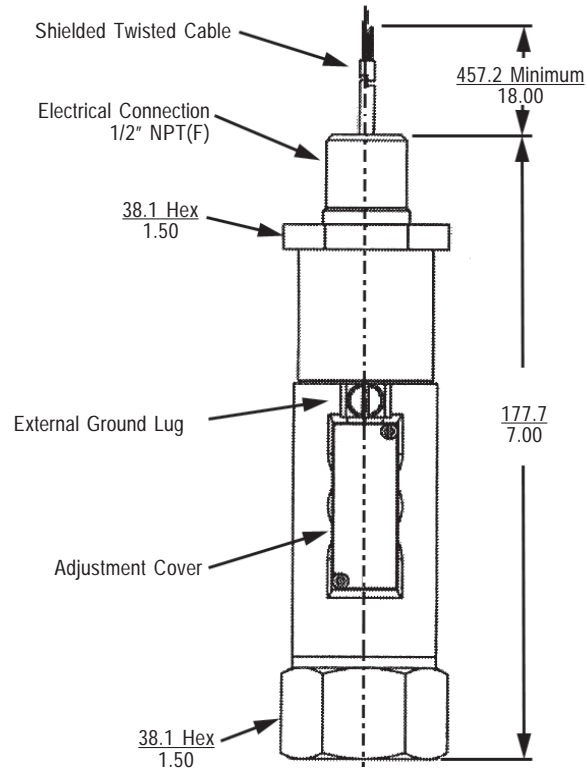
Agency	Safety Method	Approval	Model(s)
FM	Explosion Proof Intrinsically Safe	Class I, Groups A, B, C & D; Class II, Groups E, F & G; Class III, Divisions 1 & 2	534HS-xxxx-P9-xxx-xx-FM
CSA	Explosion Proof Intrinsically Safe	Class I, Groups A, B, C & D; Class II, Groups E, F & G; Class III, Divisions 1 & 2	534HS-xxxx-P9-xxx-CS
CENELEC	Flame Proof	EEx d IIC T4	534HS-xxxx-P9-xxx-CL
	Intrinsically Safe	EEx ia IIC T4	534HS-xxxx-P9-xxx-CI

534HS Mini-Hermet Pressure Transmitter

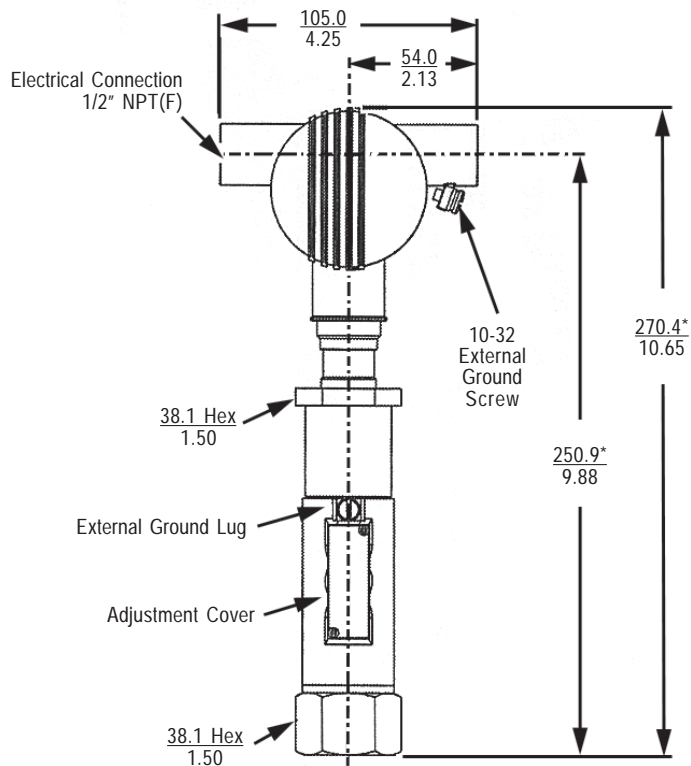
Dimensions

Dimensions shown are for reference only. Contact the factory for certified dimension drawings.
 Linear = mm/in.

534HS



534HS with TL Accessory



*This dimension is approximate and based on 5 thread engagement.



Process Instrumentation

SOR INC.

14685 West 105th Street
Lenexa, Kansas 66215

Phone 913-888-2630
Toll Free 800-676-6794
Fax 913-888-0767

www.sorinc.com

Registered Quality System to ISO 9001

Form 1176 (05.02) Printed in U.S.A.