



# 534CR Mini-Hermet Pressure Transmitter

Form 1175

**The Series 534CR Mini-Hermet pressure transmitter** is a compact loop powered transmitter. It can be locally ranged in service while maintaining its explosion proof integrity which differentiates it from non-serviceable instruments. Its performance is comparable to full-size conventional transmitters. The Series 534CR is suitable for hazardous locations and hostile environments where space is limited. They meet those applications where low-cost, continuous monitoring is preferred.

## Features

- Ranges from 10 to 2000 psig
- 0.25% accuracy
- 4-20 mA, loop powered
- In service calibration
- EMI/RFI protection
- Intrinsically Safe and explosion proof
- NEMA 4X, IP 66 housing



**534CR**



## Product Specifications

Accuracy (Linearity, Hysteresis and Repeatability)	+0.25% URL	Output	4 to 20 mA (1-5 VDC optional), loop powered
Turndown	4:1	Loop Resistance	700 ohms @ 24 VDC
Zero Offset	+10% URL	Circuit Protection	Reverse polarity and surge protected
Temperature Range		Construction	316SS housing (CF8M)
Compensated	-20 to 160°F (-29 to 71°C)	Process Connection	1/4" or 1/2" NPT(F)
Ambient	-40 to 185°F (-40 to 85°C)	Electrical Connection	
Process	-40 to 250°F (-40 to 121°C) see O-Ring Material	Size	1/2" NPT(M)
Storage	-40 to 185°F (-40 to 85°C)	Termination	24 AWG shielded cable, 18 inch length
Temperature Effect	+1% of URL/100°F @ -20 to 160°F	Wetted Materials	316SS (others available), ceramic (Al <sub>2</sub> O <sub>3</sub> ) diaphragm, o-ring
Long Term Stability	+0.5% URL per year	Shipping Weight	1.8 lb (0.7 kg)
Over Pressure Protection	1.5X URL	Warranty	5 years
Response Time	< 25 ms		
Supply Voltage	10-30 VDC		

Design and specifications are subject to change without notice.

# 534CR Mini-Hermet Pressure Transmitter

## How to Order

### Sample Model Number

## 534CR - TN 21 - P9 - C 1A - NE - PK

534CR Mini-Hermet pressure transmitter with 4-20mA output, 0-200 psi, 316SS port, 1/4" NPT, Neoprene o-ring and optional pipe kit.

Process Connection Size		4	
		1/4" NPT(F)	1A
		1/2" NPT(F)	2A
Process Connection Material		3	
		316SS	C
		316LSS	Z
		Monel	A
		Hastelloy B	H
		Hastelloy C-276	J
		Alloy 20	L
Range		2	
0-10 psi (0-0.7 bar)	10		
0-20 psi (0-1.4 bar)	20		
0-50 psi (0-3.5 bar)	50		
0-100 psi (0-7.0 bar)	11		
0-200 psi (0-14 bar)	21		
0-500 psi (0-35 bar)	51		
0-1000 psi (0-70 bar)	111		
0-2000 psi (0-140 bar)	211		
Output		1	
4-20 mA	TN		
1-5 VDC (requires TL accessory)	VN		
O-Ring Material		5	
ER	EPR	Temperature Limits	
AS	Aflas	-40-200°F (-40-93°C)	
VT	Viton	32-250°F (0-121°C)	
KZ	Kalrez	0-250°F (-18-121°C)	
VG	Viton GLT	40-250°F (4-121°C)	
BN	Buna-N	-20-250°F (-29-121°C)	
NE	Neoprene	-40-200°F (-40-93°C)	
		0-200°F (-18-93°C)	
Accessories		6	
BB	Cleaned for industrial oxygen service		
CS	CSA Approved		
CI	CENELEC Certified		
	Intrinsically Safe		
FM	FM Approved		
NC	Compliance to NACE Certification MR-01-75		
PK	Pipe mounting kit		
PP	Fiber tag with customer specified information		
RR	SS tag wired to control with customer specified information		
TL	SS junction box with terminal strip		
TT	SS nameplate affixed to housing with customer specified information		
W	Fungicidal varnish		
YY	Epoxy coating		
	MAG DRIVER for tamper-proof zero and span adjustments PN/ 9003-308		
534CR	TN	21	P9
			C
			1A
			NE
			PK

← Model Number

# 534CR Mini-Hermet Pressure Transmitter

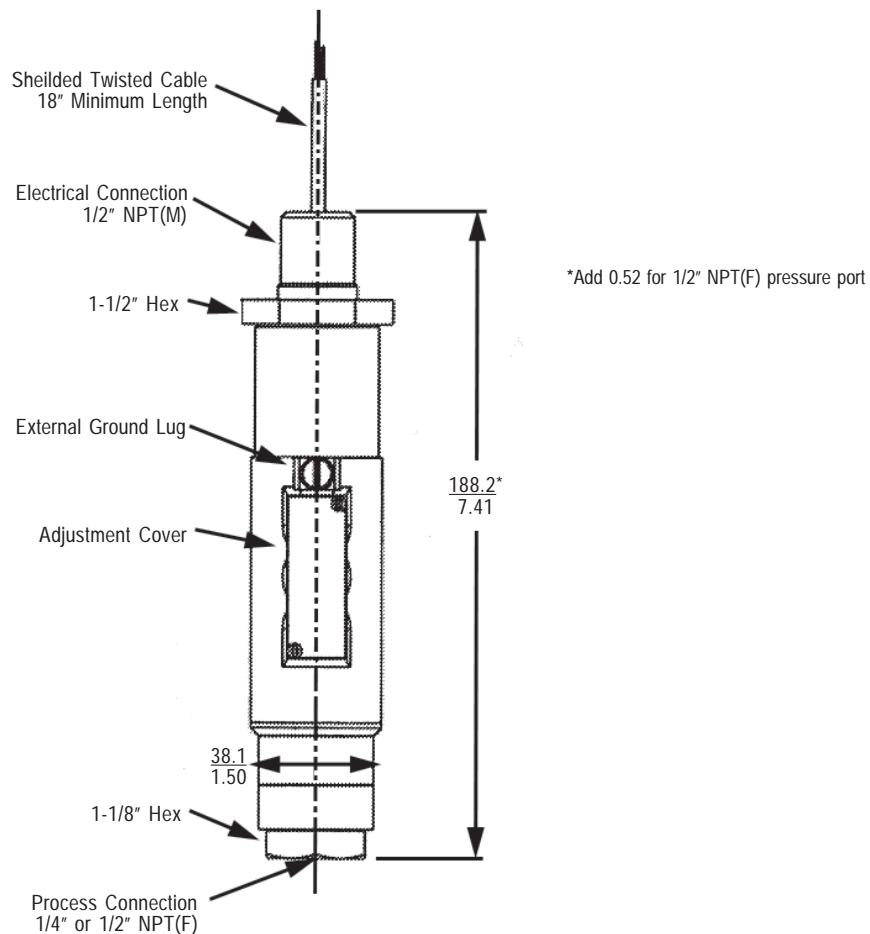
## Agency Approvals

Agency	Safety Method	Approval	Model(s)
FM	Explosion Proof Intrinsically Safe	Class I, Groups A, B, C & D; Class II, Groups E, F & G; Class III, Divisions 1 & 2	534CR-xxxx-P9-xxx-xx-FM
CSA	Explosion Proof Intrinsically Safe	Class I, Groups A, B, C & D; Class II, Groups E, F & G; Class III, Divisions 1 & 2	534CR-xxxx-P9-xxx-xx-CS
CENELEC	Intrinsically Safe	EEEx ia IIC T4	534CR-xxxx-P9-xxx-xx-CI
CE Marked	EMC Directive 89/336/EEC	EN 50 082-2	All

## Dimensions

Dimensions shown are for reference only. Contact the factory for certified dimension drawings.  
Linear = mm/in.

### 534

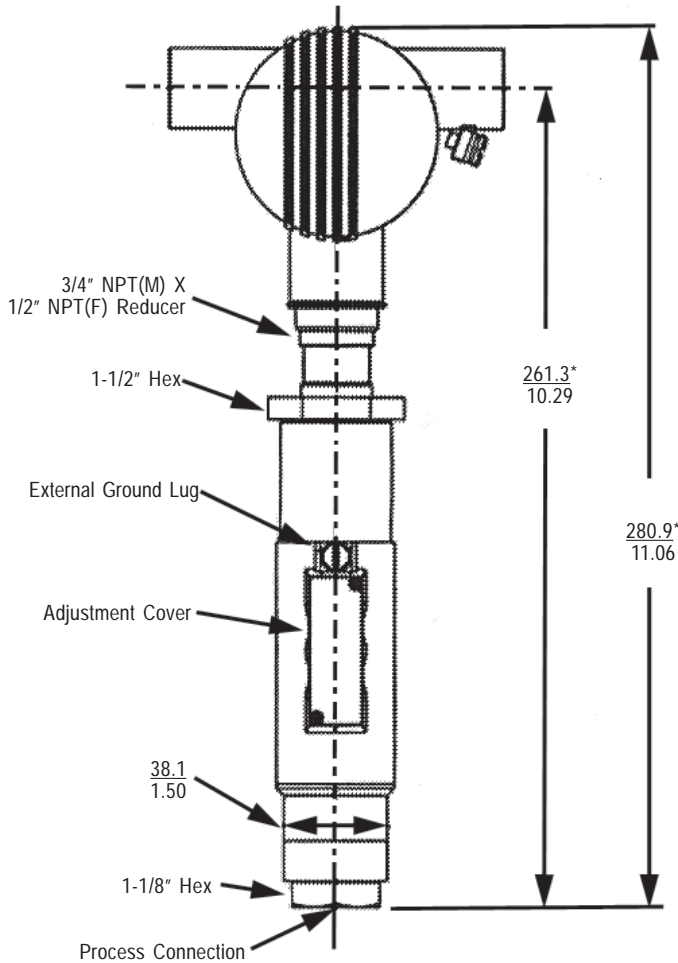


# 534CR Mini-Hermet Pressure Transmitter

## Dimensions

Dimensions shown are for reference only. Contact the factory for certified dimension drawings.  
Linear = mm/in.

### 534 with TL Accessory



\*This Dimension is Approximate and Based on 5 Thread Engagement  
\*Add 0.52 for 1/2" NPT(F) pressure port

