



# 522CR Electronic Pressure Switch

Form 1179

**The Series 522CR electronic pressure control** is a field-mounted instrument that has two independent field adjustable Set Points with adjustable dead bands, plus process pressure indication and 4-20 mA output. The Series 522CR is well suited for applications in oil, gas, petrochem, process and power industries.

## Features

- Ranges from 200 to 2000 psig
- 0.5% accuracy and repeatability
- In-service field calibration
- NEMA 4X, IP 65 housing



**522CR**

## Product Specifications

<b>Accuracy</b>		<b>Over Pressure Protection</b>	1.5X URL
4-20 mA	+0.5% URL	<b>Supply Voltage</b>	120 VAC, 24 VDC or 12 VDC
Display	+0.5%	<b>Loop Resistance</b>	500 ohms
Linearity	+0.5% URL	<b>Output</b>	
<b>Repeatability</b>	+0.5% Set Point	Mechanical Relay	2 SPST, rated 3A 120 VAC, 3A 28 VDC (resistive)
<b>Turndown</b>	5:1	Analog Signal	4-20 mA
<b>Zero Offset</b>	+20% URL	Indication	LCD display, LED Set Point indication
<b>Set Points</b>		<b>Process Connection</b>	1/4" or 1/2" NPT(F)
Adjustable Range	0-100% URL	<b>Electrical Connection</b>	2 x 3/4" NPT(F)
Minimum Deadband	1% URL	<b>Wetted Materials</b>	316SS (others available), ceramic (Al <sub>2</sub> O <sub>3</sub> ) diaphragm, o-ring
Maximum Deadband	40% Set Point	<b>Shipping Weight</b>	9 lbs (4.5 kg)
<b>Temperature Range</b>		<b>Warranty</b>	1 year
Operating	Based on o-ring specification, see next page		
Ambient	-40 to 160°F (-40 to 71°C)		
<b>Temperature Effect</b>	+1% of URL/100°F		

Design and specifications are subject to change without notice.

# 522CR Electronic Pressure Switch

## How to Order

Sample Model Number

### 522CR - TC 51 - P5 - H 2A - VT - RR

522CR electronic pressure control with 0-500 psig, 12 VDC power supply, 1/2" NPT Hastelloy B process connection, Viton O-Ring and optional SS tag wired to housing.

Process Connection Material		3	
316SS	C		
316LSS	Z		
Monel	A		
Hastelloy B	H		
Hastelloy C	J		
Alloy 20	L		

Power Supply		2	
12 VDC (accepts 9-16 VDC) 350 mA maximum current draw	P5		
24 VDC (accepts 16-36 VDC) 140 mA maximum current draw	P6		
120 VAC (accepts 90-130 VAC) 50 mA maximum current draw	P7		

Range		1	
0-200 psig (0 to 14 bar)	21		
0-500 psig (0 to 35 bar)	51		
0-1000 psig (0 to 70 bar)	111		
0-2000 psig (0 to 140 bar)	211		

Process Connection Size		4	
1A	1/4" NPT(F)		
2A	1/2" NPT(F)		

O-Ring Material		5	
ER	EPR	Temperature Limits	-40-200°F (-40-93°C)
AS	Aflas		32-250°F (0-121°C)
VT	Viton		0-250°F (-18-121°C)
KZ	Kalrez		40-250°F (4-121°C)
VG	Viton GLT		-20-250°F (-29-121°C)
BN	Buna-N		-40-200°F (-40-93°C)
NE	Neoprene		0-200°F (-18-93°C)

Accessories		6	
BB	Cleaned for industrial oxygen service		
PK	Pipe mounting kit		
PP	Fiber tag with customer specified information		
RR	SS tag wired to control with customer specified information		
TT	SS nameplate affixed to housing with customer specified information		
VV	Fungicidal varnish		
YY	Epoxy coating		

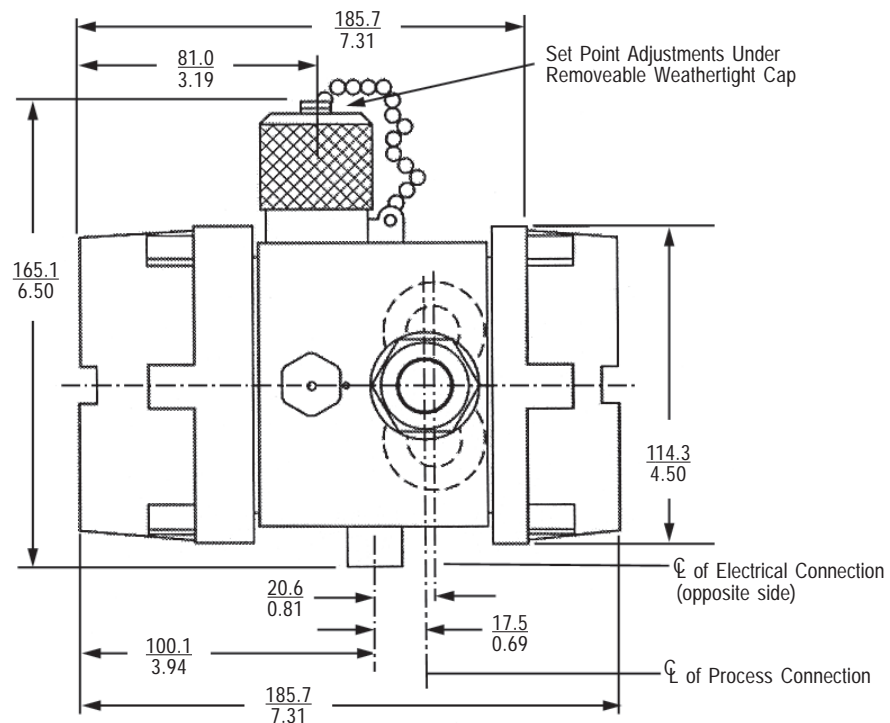
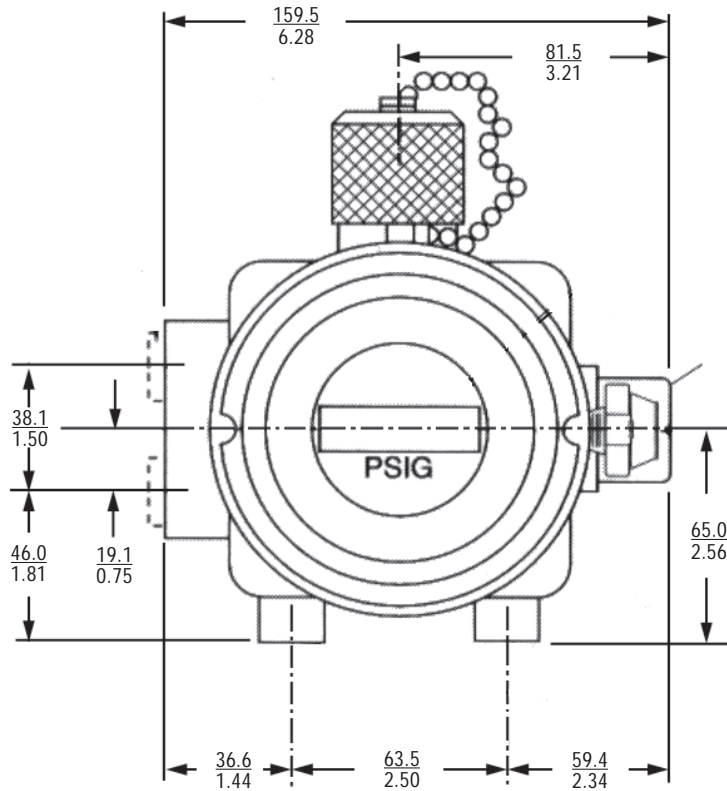
522CR	TC	51	P5	H	2A	VT	RR	← Model Number
-------	----	----	----	---	----	----	----	----------------

# 522CR Electronic Pressure Switch

## Dimensions

Dimensions shown are for reference only. Contact the factory for certified dimension drawings.  
Linear = mm/in.

### 522CR





## **Process Instrumentation**

---

### **SOR INC.**

14685 West 105th Street  
Lenexa, Kansas 66215

Phone 913-888-2630  
Toll Free 800-676-6794  
Fax 913-888-0767

**[www.sorinc.com](http://www.sorinc.com)**

**Registered Quality System to ISO 9001**

Form 1179 (09.02) Printed in U.S.A.