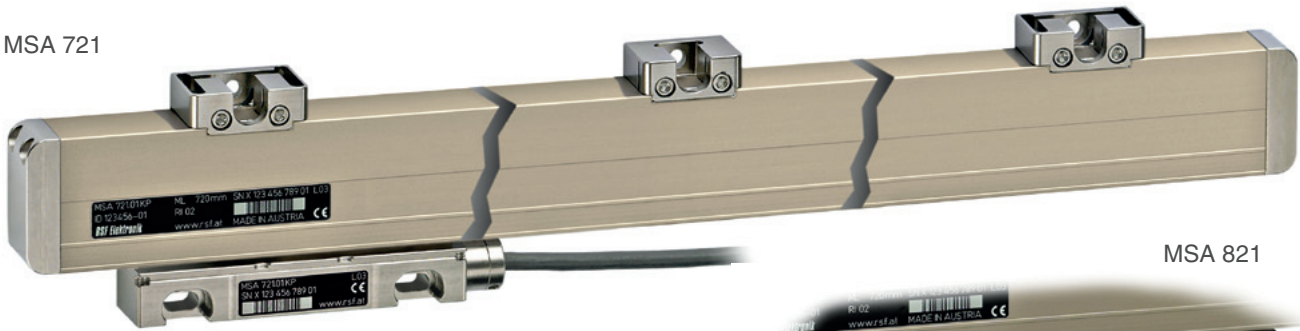


MSA 721, MSA 821

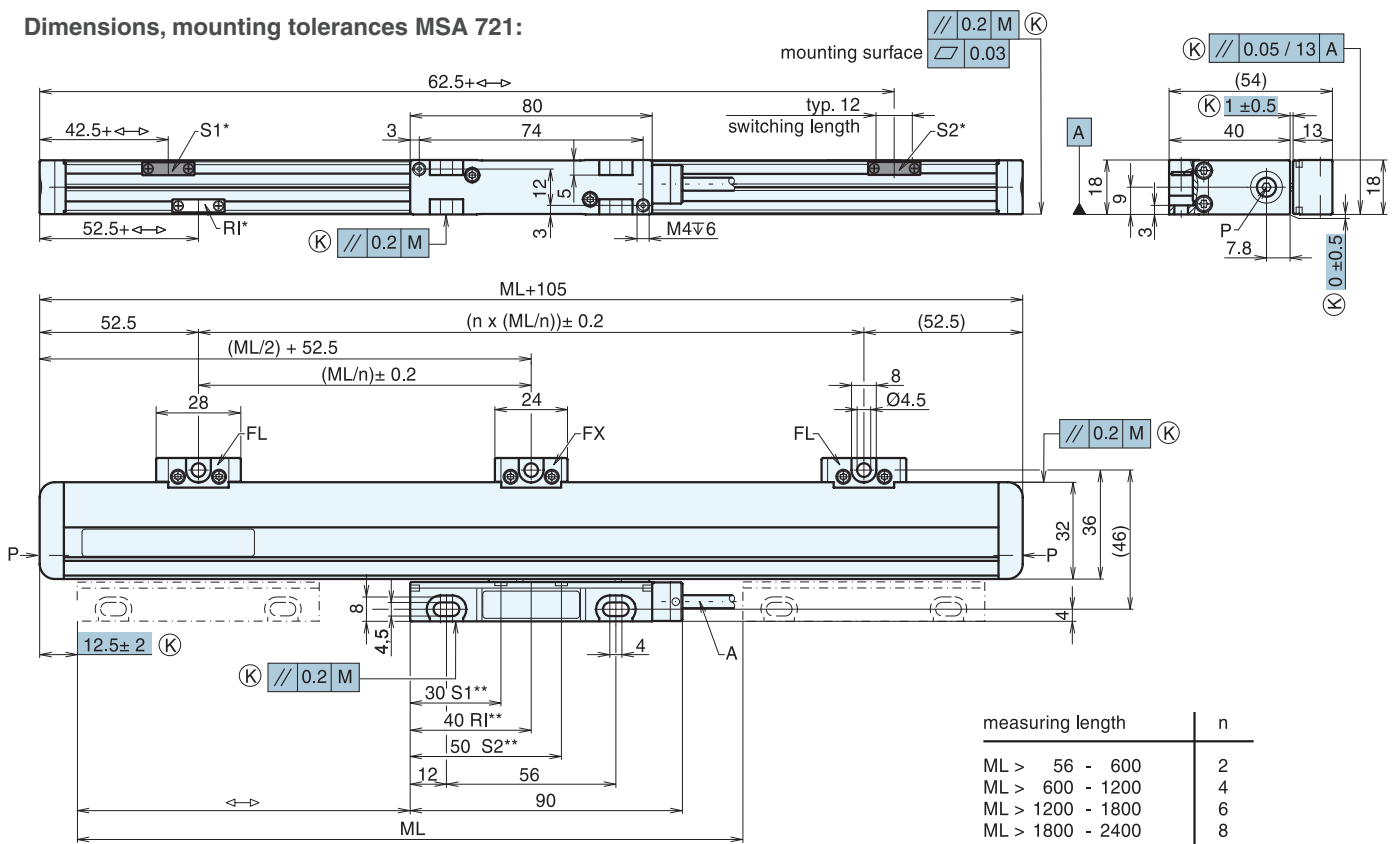
MSA 721



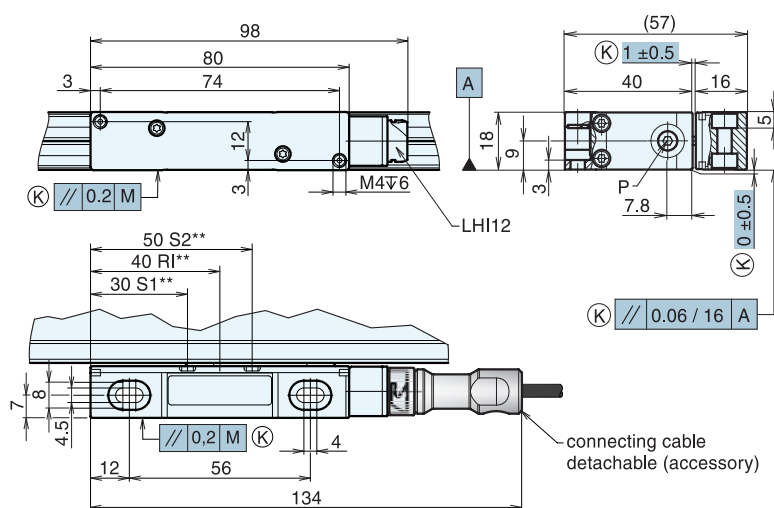
MSA 821



Dimensions, mounting tolerances MSA 721:



Dimensions, mounting tolerances MSA 821:



measuring length	n
ML > 56 - 600	2
ML > 600 - 1200	4
ML > 1200 - 1800	6
ML > 1800 - 2400	8
ML > 2400 - 3000	10
ML > 3000 - 3040	12

M = machine guideway
 ML = measuring length
 ↔ = 0 ... ML
 A = cable

LHI12 = male connector

Ⓚ = customer mounting dimensions

FX = fixed mounting
 FL = flexible mounting

optional:

P = M5 air inlet
 S1, S2 = switch signals
 RI = selectable reference mark
 * = actuator magnet
 ** = sensor position