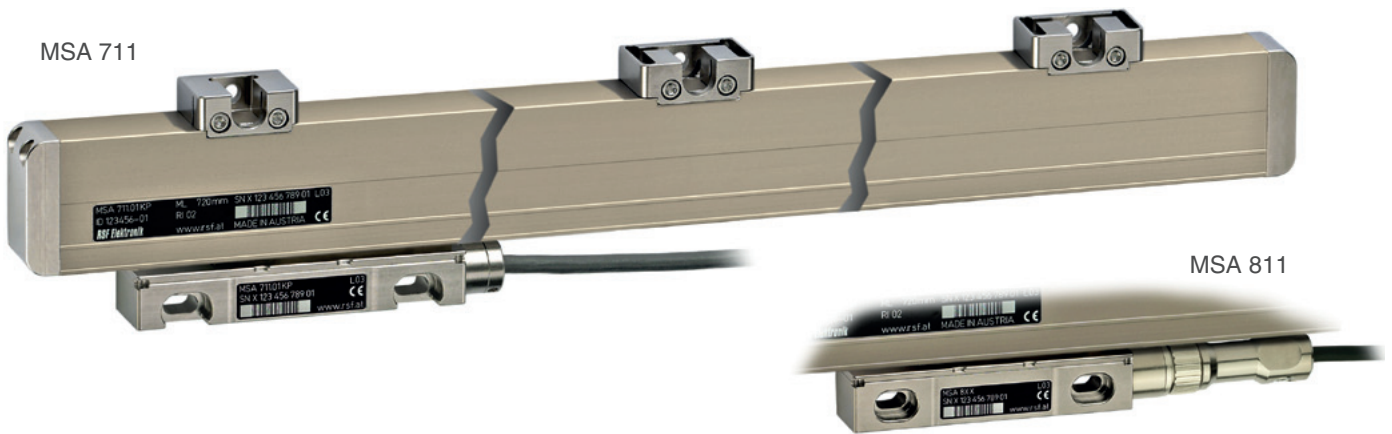
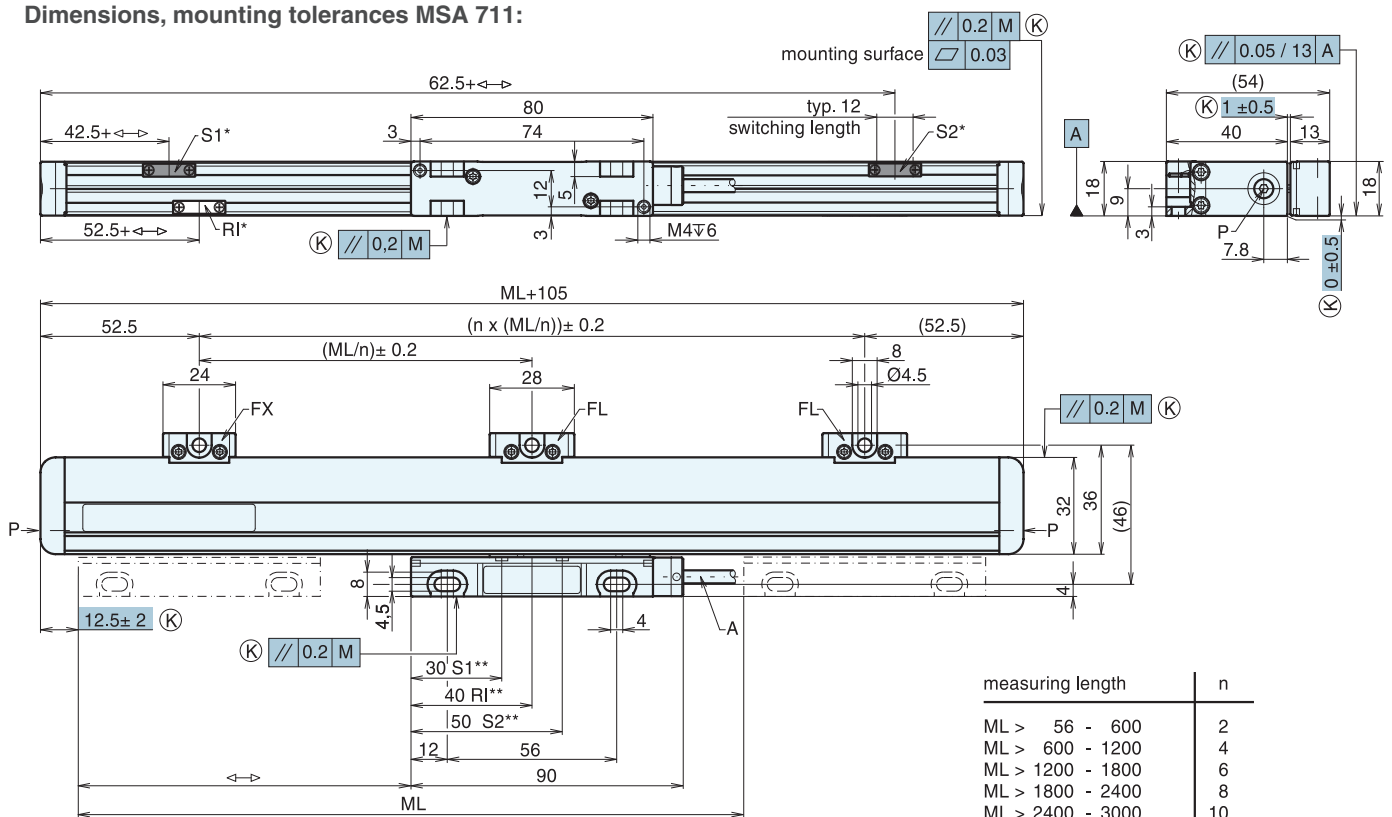


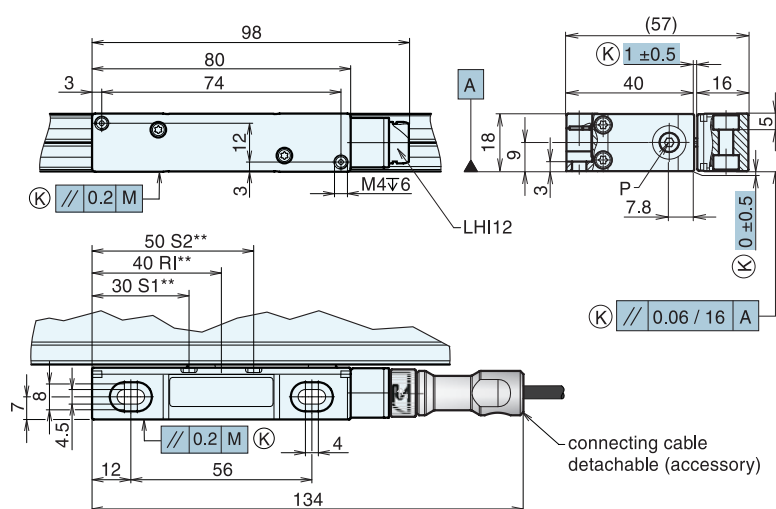
## MSA 711, MSA 811



### Dimensions, mounting tolerances MSA 711:



### Dimensions, mounting tolerances MSA 811:



M = machine guideway  
 ML = measuring length  
 <math>\leftrightarrow</math> = 0 ... ML  
 A = cable

LHI12 = male connector

(K) = customer mounting dimensions

FX = fixed mounting  
 FL = flexible mounting

optional:

P = M5 air inlet  
 S1, S2 = switch signals  
 RI = selectable reference mark  
 \* = actuator magnet  
 \*\* = sensor position