

液位计 Level Gauge



Application 应用

◎该液位计主要应用在罐设备上，两个不同或相同的液位计安装在罐设备上，可观察罐内液体情况或观察罐内容量，也可以直接取样。

◎规格:1/4",3/8",1/2",3/4"

◎连接:螺纹，卡箍，焊接

◎认证:PED 97/23/EC,FDA 177.2600

◎The level gauge is mainly applied to the tank equipments. The two same gauges or two different gauges are assembled on the tank so that the liquid condition or capacity can be observed and the sample can be extracted.

◎Size: 1/4",3/8",1/2",3/4

◎Connections: thread, clamp, weld

◎Certificate: PED 97/23/EC,FDA 177.2600

Operation principle 工作原理

◎手轮顺时针旋转阀杆连同密封圈抬起，此时阀门被开启取样，手轮逆时针旋转阀杆连同密封圈下降此时阀门被关闭

◎When Turn the hand wheel clockwise, the valve shaft and seal rise up. At this time, valve is open for sampling. When turn the hand wheel anti-clockwise, the valve shaft and seal go down, at that time, the valve

Valve construction 阀体结构

◎螺纹；螺母式；焊接；卡箍；

◎Thread end, Nut end, Weld end, Clamp end.

Technical specification 技术参数

◎接口方式：螺纹，卡箍，焊接

◎最大压力：10bar 145psi

◎最小压力：真空

◎适用温度：-10℃ 50° F至120℃ /248℃

◎阀体材质：AISI 304 AISI 316L

◎密封材质：PTFE

◎Connections: thread, clamp, weld

◎Max. pressure: 10bar 145psi

◎Min. pressure: vacuum

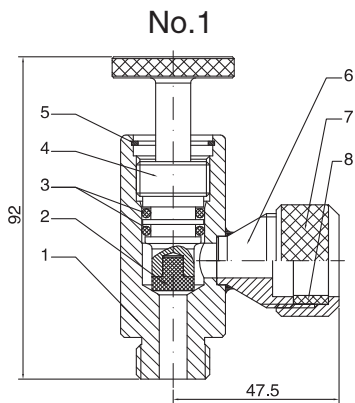
◎Temperature: -10℃ 50° F至120℃ /248℃

◎Body material: AISI304 AISI316 L

◎Seal material: PTFE

液位计 Level Gauge

Application 应用



- | | |
|--------|---------------------|
| 8.密封圈A | 8.Gasket A |
| 7.螺套 | 7.Threaded sleeve |
| 6.视管座 | 6.Visual tube seat |
| 5.卡簧 | 5.Jump spring |
| 4.阀杆 | 4.Valve shaft |
| 3.密封圈B | 3.Gasket B |
| 2.密封件A | 2.Sealing element A |
| 1.阀体 | 1.Valve body |

○该液位计主要应用在罐设备上，两个不同或相同的液位计安装在罐设备上，可观察罐内液体情况或观察罐内容量，也可以直接取样。

○规格:1/4",3/8",1/2",3/4"

○连接:螺纹,卡箍,焊接

○认证:PED 97/23/EC,FDA 177.2600

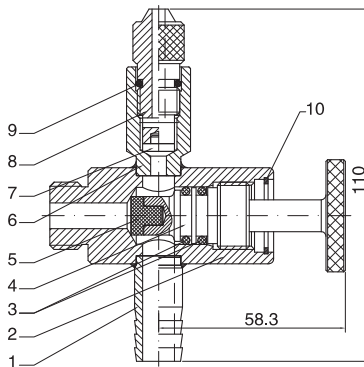
○The level gauge is mainly applied to the tank equipments. The two same gauges or two different gauges are assembled on the tank so that the liquid condition or capacity can be observed and the sample can be extracted.

○Size: 1/4",3/8",1/2",3/4

○Connections: thread, clamp, weld

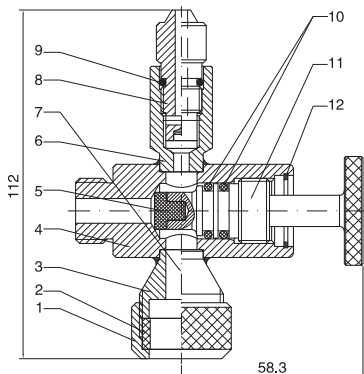
○Certificate: PED 97/23/EC,FDA 177.2600

No.2



- | | |
|--------|------------------------|
| 10.卡簧 | 10.Jump spring |
| 9.密封圈C | 9.Gasket C |
| 8.取样阀杆 | 8.Sampling valve shaft |
| 7.密封件B | 7.Sealing element B |
| 6.连接座 | 6.Connection seat |
| 5.密封件A | 5.Sealing element A |
| 4.阀杆 | 4.Valve shaft |
| 3.密封圈B | 3.Gasket B |
| 2.阀体 | 2.Valve body |
| 1.软管接头 | 1.Hose nipple |

No.3



- | | |
|---------|------------------------|
| 12.卡簧 | 12.Jump spring |
| 11.阀杆 | 11.Valve shaft |
| 10.密封圈B | 10.Gasket B |
| 9.密封圈C | 9.Gasket C |
| 8.取样阀杆 | 8.Sampling valve shaft |
| 7.密封件B | 7.Sealing element B |
| 6.连接座 | 6.Connection seat |
| 5.密封件A | 5.Sealing element A |
| 4.阀杆 | 4.Valve shaft |
| 3.视管座 | 3.Visual tube seat |
| 2.密封圈A | 2.Gasket A |
| 1.螺套 | 1.Threaded sleeve |