

卫生级调节阀 Sanitary Regulating Valve

应用：

广泛应用于卫生级流体管道系统内，手动控制压力及流量。

Application:

Widely applied in sanitary fluid pipeline system, manual control pressure and flow.

工作原理：

该类型调节阀由手轮操作，手轮顺时针方向调节时，压力及流量逐渐减小直至关闭；手轮逆时针方向调节时，压力及流量逐渐增加直至全开。

逐渐调节圆锥形阀塞，再由螺栓将阀塞锁定于调至的位置。

Work Principle:

This type of regulating valve operated by hand wheel, the handwheel clockwise adjustment, pressure and flow will decrease gradually till closed; while the The handwheel counterclockwise adjustment, pressure and flow will increase gradually till full open. Gradually adjusting conical plug, again by bolts will plug a lock on moves to the position.

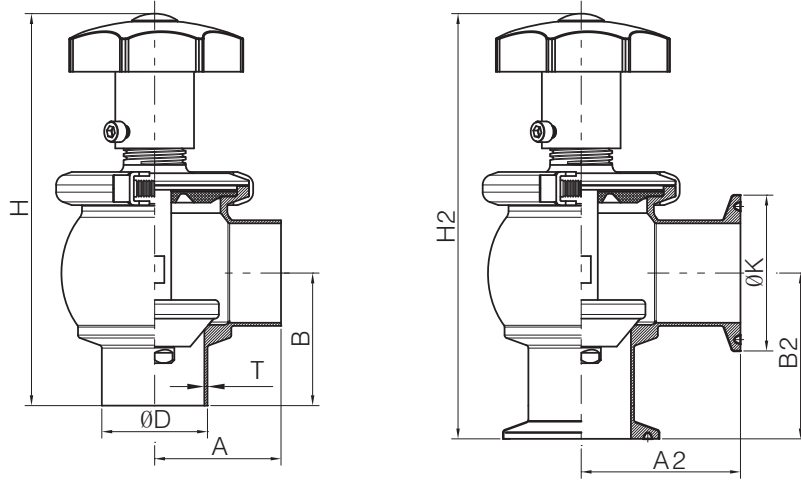
标准设计：

阀体与带塞阀杆使用不锈钢 304 或耐酸钢 316L。阀体外喷砂抛光。阀杆镀强化铬。密封及唇形密封采用耐高温（100°）的 EPDM 橡胶材质。

Standard Design:

Valve body Belt plug valve stem used stainless steel 304 or acid-resistant steel 316L. Valve body outer sand blast polishing. Stem plating strengthening chrome. Gasket and lip shape seal use high-temperature (100 °) EPDM rubber material.



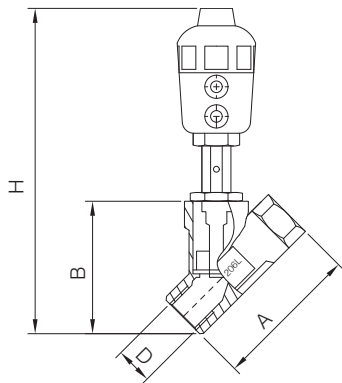


No.SN01001

卫生级调节阀
Sanitary Regulating Valve

Size				H	A	B	H2	A2	B2	K
DIN	3A	SMS	ISO							
DN40 DXT 40X1.5	1 1/2" DXT 38.1X1.65	38 DxT 38.1x1.5	Ø38 DxT 38.1x1.5	181.0	66.0	59.5	193.7	78.7	72.2	50.5
DN50 DXT 52X1.5	2" DXT 50.8X1.65	51 DxT 50.8x1.5	Ø51 DxT 50.8x1.5	181.0	66.0	59.5	193.7	78.7	72.2	64.0
	2 1/2" DXT 63.5X1.65	63 DxT 63.5x2.0	Ø63 DxT 63.5x2.0	203.0	84.5	81.5	215.7	97.2	94.2	77.5
DN65 DXT 70X2.0	3" DXT 76.2X1.65	76 DxT 76.2x2.0	Ø76 DxT 76.2x2.0	241.0	86.5	81.5	253.7	99.2	94.2	91.0
DN80 DXT 85X2.0				241.0	86.5	81.5	253.7	99.2	94.2	106.0

No.SJ14002



气动角座阀
Pneumatic Angle Valve

Size	A	B	H	D
DN15	85.0	75.0	215.0	G 1/2
DN20	95.0	85.0	227.0	G 3/4
DN25	105.0	95.0	255.0	G 1
DN32	120.0	110.0	285.0	G 1 1/4
DN40	130.0	120.0	311.0	G 1 1/2
DN50	150.0	140.0	340.0	G 2
DN65	185.0	175.0	375.0	G 2 1/2