

卫生级安全阀 Sanitary Safety Valve



工作原理

SA系列安全阀是通过调整弹簧的压紧螺母来校准一个特定压力。校准压力是为了避免设备损坏而定的最大安全压力值。在正常的工作压力下，阀门关闭的；当系统压力超过校准压力时，阀门开启。管道系统中的压力得到释放，从而达到对管路及设备的保护。

SA11系列阀门是RA改进型，它增加了启动开启装置，便于对安全阀及其管路进行CIP清洗。

SA安全阀是一种较为特殊的阀门，在出厂时都经过了严格的校验，但为了使阀门能更切合实际运行工况，故有条件时，应尽可能现场对阀门再进行校验。

Working Principle:

SA series safety valve is calibration one specific pressure by adjust gland nut. calibration pressure is the max. safety pressure in order to avoid equipment damage. Under the normal working pressure, the valve is close; When the pressure of system beyond the calibration pressure, the valve will be open. The pressure in the pipeline system get release, thus protect the pipeline and equipment.

SA11 series valve is the improve type of RA, it add the start and open device, it is easy to doing CIP cleaning for safety valve and its pipeline. The SA safety is a little special valve, it through strict calibration before leave factory, but if have conditional, should be calibration the valve again in locate as far as possible.

应用

SA系列安全阀是卫生级不锈钢阀门，它的安全设计使它能保护设备，所以它安装在排放压力的回路，对管路、泵、装置、储罐等起安全保护作用。广泛应用于食品、饮料、乳制品、啤酒等行业。

Application:

SA series safety valve is the sanitary stainless steel valve, its safety design make it protect the equipment, so it installed in the return circuit of discharge pressure, it's good for safety protect function in pipeline, pump, device, storage tank. Extensivelo use to food, beverage, dairy, beer etc.

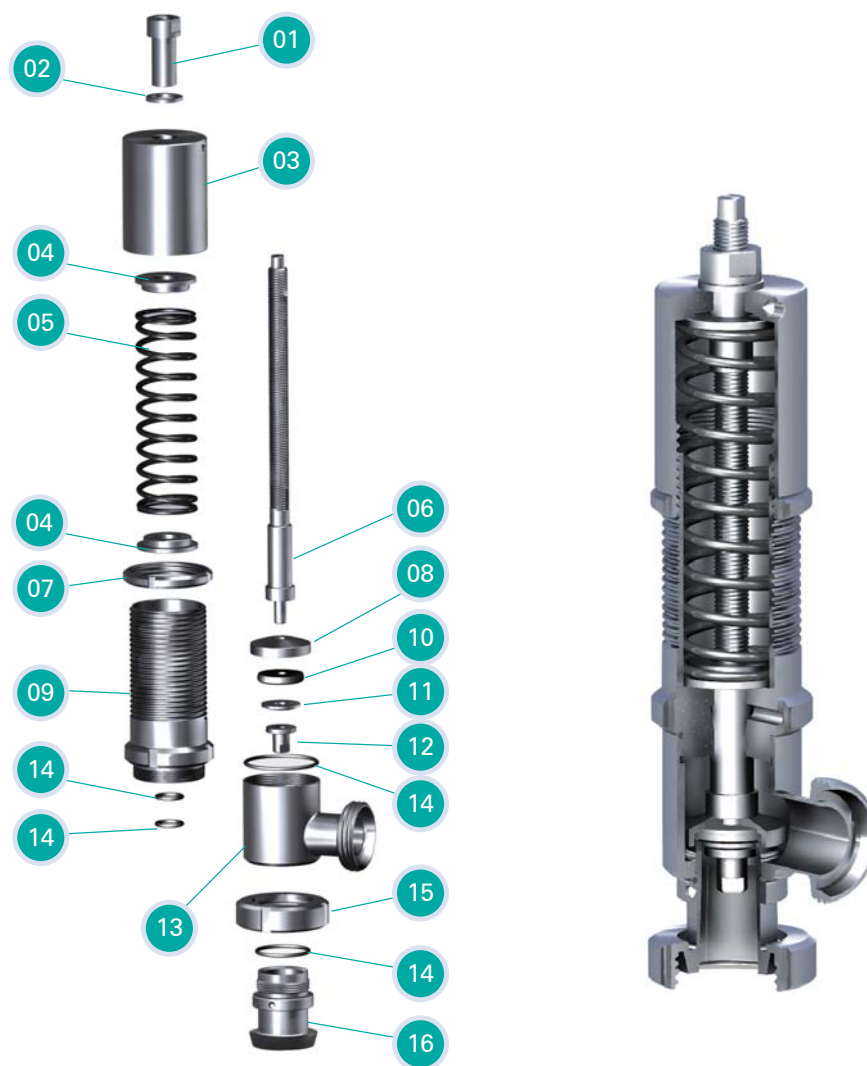
材料:

钢制部件: 不锈钢304, 不锈钢316L
密封件: 橡胶

Material:

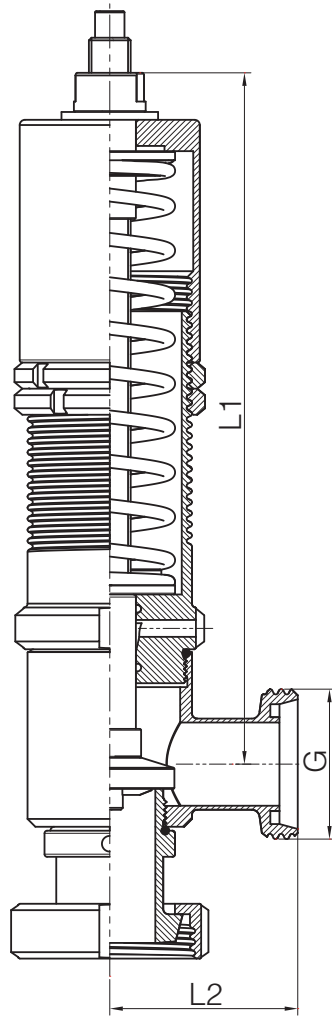
Steel parts: stainless steel
304, stainless steel 316L
Seal: rubber

卫生级安全阀 Sanitary Safety Valve



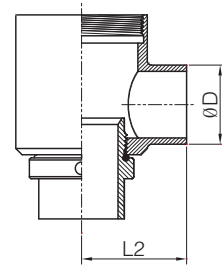
Parts List

No.	Description	No.	Description
01	限位套 Stop Collar	09	阀体 Valve Body
02	平垫 Flap Gasket	10	密封垫 Sealing Gasket
03	调节套 Flap Gasket	11	垫片 Gasket
04	弹簧垫片 Spring Gasket	12	固定螺母 Locknut
05	弹簧 Spring	13	阀座 Valve Seat
06	阀杆 Valve Cap	14	O型密封圈 O-type Gasket
07	并冒 Nut	15	螺母 Nut
08	垫套 Cover	16	接头 Joint

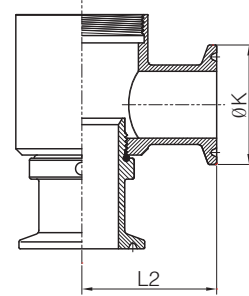


由任式
Union

阀体组合
Valve Body Combination



焊接式
Welded



卡箍式
Clamped

No.SA1001

安全阀 (溢流阀)
Safety Valve (Relief Valve)

Size	L1	L2			G	K	D
		Union	Clamped	Welded			
DN25	210.0	69.0	61.7	49.0	RD52×1/6	50.5	28.0
DN32	220.0	69.0	61.7	49.0	RD58×1/6	50.5	35.0
DN40	230.0	72.5	64.5	52.5	RD65×1/6	50.5	40.0
DN50	240.0	91.5	74.2	61.5	RD78×1/6	64.0	52.0