

取样阀 Sample Valve



酸奶取样阀
Yogurt sampling valve



Application 应用

- 主要用于罐设备或管道里面的物料样品采集，也可安装在罐设备或管道的最低点用来排泄残留液。
- It s mainly applied to extract sample from tank or pipeline. It also can be assembled at the bottom of the tank or pipeline to drain away the remains.

Operation principle 工作原理

取样阀:

- 手轮顺时针旋转阀杆连同密封圈抬起，此时阀门被开启取样，手轮逆时针旋转阀杆连同密封圈下降此时阀门被关闭
- Sample valve:
When Turn the hand wheel clockwise, the valve shaft and seal rise up. At this time, valve is open for sampling. When turn the hand wheel anti-clockwise, the valve shaft and seal go down, at that time, the valve is closed.

酸奶取样阀:

- 阀座开到罐内部或其他设备内部，由此避免了因为管道过压造成阀门意外开启或泄漏等情况。
- 该阀门为常闭型(通过弹簧关闭)，用手一按手柄阀门开启，松开手柄阀门将自行关闭。
- 完全排水(液体)设计，防止了物料滞留阀门内部。
- Yogurt sampling valve:
○The valve seat opens inside so that it can avoid opening by accident due to much pressure in the pipes.
○The valve is normally closed (through close of spring).the valve is open as soon as pushing the handle with hand and closed when loosing up.
○The design of completely drainage water is to avoid remains inside the valves.

Technical specification 技术参数

- 接口方式: 螺纹, 卡箍, 焊接
- 最大压力: 10bar 145psi
- 最小压力: 真空
- 适用温度: -10℃ 50° F至 120℃ /248℃
- 阀体材质: AISI 304 AISI 316L
- 密封材质: PTFE
- Connections: thread, clamp, weld
- Max. pressure: 10bar 145psi
- Min. pressure: vacuum
- Temperature: -10℃ 50° F至120℃ / 248℃
- Body material: AISI304 AISI316 L
- Seal material: PTFE

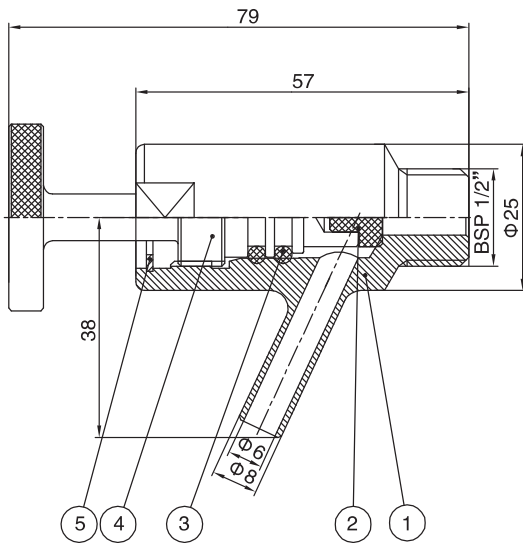


Technical features 技术特点

- 该取样阀接口方式: 螺纹, 卡箍, 焊接
- 规格: 1/4", 3/8", 1/2", 3/4"
- 密封材质: PTFE符合FDA177.2600
- 垫圈材质: EPDM NBR FPM 符合FDA177.2600
- 最高压力: 10Bar
- 最高温度: 120°C

- Connections: thread, clamp, weld
- Size: 1/4 " , 3/8 " , 1/2 " , 3/4 "
- Seal material: PTFE in accordance with
FDA177.2600
- Max. pressure: 10bar
- Max. Temperature: 120°C

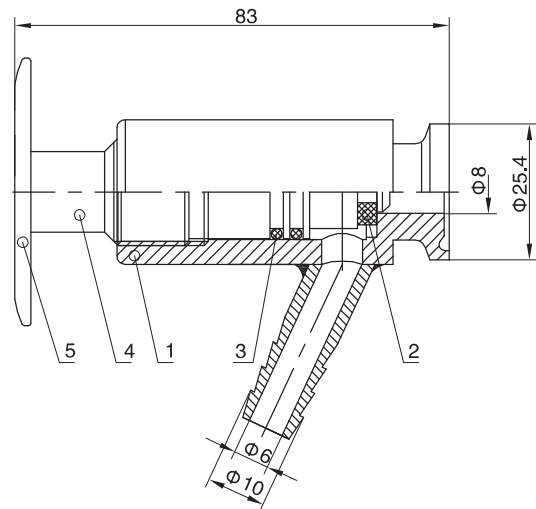
花纹式手轮
Decorative type handle



1. 阀体材质: AISI304 AISI316 L
2. 垫圈: PTFE
3. O型圈: NBR
4. 阀杆: AISI 304/316L
5. 卡簧: AISI 304

1. Body material: AISI304 AISI316 L
2. Gasket: PTFE
3. O type seal: NBR
4. Valve shaft: AISI304/316L
5. Jump ring: AISI304

椭圆式手轮
Elliptic type hand



1. 阀体材质: AISI304 AISI316 L
2. 垫圈: PTFE
3. O型圈: NBR
4. 阀杆: AISI 304/316L
5. 手轮: AISI 304

1. Body material: AISI304 AISI316 L
2. Gasket: PTFE
3. O type seal: NBR
4. Valve shaft: AISI304/316L
5. Handle: AISI304