

清洗器 Cleaner



Applications 应用

清洗器系列产品主要应用在食品加工，饮料，啤酒制药工业领域等罐设备上，对罐内部进行强力的喷射和清洗。

清洗球分为三大系列产品：

- 固定清洗球：360度全部喷射，180度喷射，喷射孔径2.5mm
- 旋转清洗球：球状为椭圆形和圆形，喷射口为扁槽状型
- 旋转清洗器：多位喷射式，工作时喷射口全部旋转喷射

Cleaner series products are mainly used to spray strongly and clean inside of the tank, generally, in field of food-processing, beverage, beer, pharmaceutical industries.

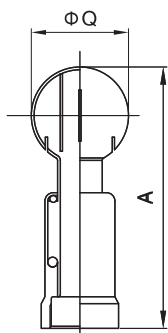
Cleaning ball is divided into three kinds of products:

- Fixed cleaning ball: 360 degree spray completely, 180 degree spray, aperture of spray is 2.5mm
- Rotary cleaning ball: ball is spherical and elliptical. Jet orifice looks flat slot shape
- Rotary cleaner: multi-position spray. When working the spray outlets rotate



旋转式清洗球 Rotary cleaning ball

No.SM50046



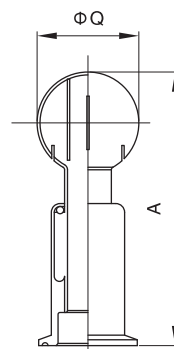
螺纹式
Threaded

Size	A	Q
1"	140.0	53.0
1 1/4"	160.0	53.0
1 1/2"	170.0	63.0
2"	192.0	76.0
2 1/2"	220.0	91.0

Technical parameter

Size	Pressure (bar)	Cleaning radius(m)	Fluxation m ³ /h
1"~1.5"	2	1.25	12
2"	2	1.5	38
2.5"	2	2.0	38

No.SM50047



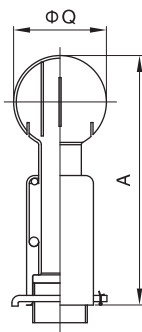
卡箍式
Clamped

Size	A	Q
1"	138.0	53.0
1 1/4"	138.0	53.0
1 1/2"	138.0	53.0
2"	168.0	63.0
2 1/2"	190.0	76.0

Technical parameter

Size	Pressure (bar)	Cleaning radius(m)	Fluxation m ³ /h
1"~1.5"	2	1.25	12
2"	2	1.5	38
2.5"	2	2.0	38

No.SM50048



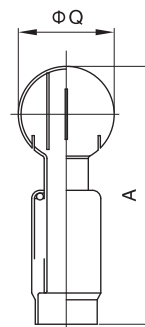
插销式
Bolted

Size	A	Q
1"	135.0	53.0
1 1/4"	137.0	53.0
1 1/2"	137.0	53.0
2"	168.0	63.0
2 1/2"	190.0	76.0

Technical parameter

Size	Pressure (bar)	Cleaning radius(m)	Fluxation m ³ /h
1"~1.5"	2	1.25	12
2"	2	1.5	38
2.5"	2	2.0	38

No.SM50049



焊接式
Welded

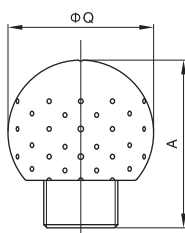
Size	A	Q
1"	143.0	53.0
1 1/4"	145.0	53.0
1 1/2"	145.0	53.0
2"	180.0	63.0
2 1/2"	200.0	76.0

Technical parameter

Size	Pressure (bar)	Cleaning radius(m)	Fluxation m ³ /h
1"~1.5"	2	1.25	12
2"	2	1.5	38
2.5"	2	2.0	38

固定式清洗球 Fixed cleaning ball

No.SM50050



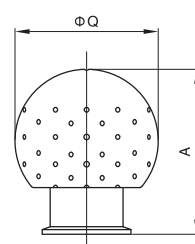
螺纹式
Threaded

Size	A	Q
1"	72.0	63.0
1 1/4"	85.0	76.0
1 1/2"	87.0	76.0
2"	102.0	91.0

Technical parameter

Size	Pressure (bar)	Cleaning radius(m)	360° /180° Fluxation m ³ /h
1"	2.5	1.0~1.25	17/10
1.1/4~1.1/2"	2.5	1.25~1.75	23/17
2"	3.5	2.0~3.0	55/38
2 1/2"	3.5	3.0~3.5	58/41

No.SM50051



卡箍式
Clamped

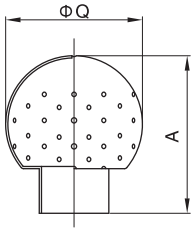
Size	A	Q
1"	80.0	63.0
1 1/4"	93.0	76.0
1 1/2"	93.0	76.0
2"	108.0	91.0
2 1/2"	115.0	100.0

Technical parameter

Size	Pressure (bar)	Cleaning radius(m)	360° /180° Fluxation m ³ /h
1"	2.5	1.0~1.25	17/10
1 1/4~1 1/2"	2.5	1.25~1.75	23/17
2"	3.5	2.0~3.0	55/38
2 1/2"	3.5	3.0~3.5	58/41

固定式清洗球 Fixed cleaning ball

No.SM50052



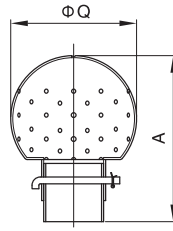
焊接式
Welded

Size	A	Q
1"	72.0	53.0
1 1/2"	85.0	63.0
2"	87.0	91.0
2 1/2"	102.0	100.0

Technical parameter

Size	Pressure (bar)	Cleaning radius(m)	360°/180° Fluxation m3/h
1"	2.5	1.0~1.25	17/10
1 1/4~ 1 1/2"	2.5	1.25~1.75	23/17
2"	3.5	2.0~3.0	55/38
2 1/2"	3.5	3.0~3.5	58/41

No.SM50053



插销式
Bolted

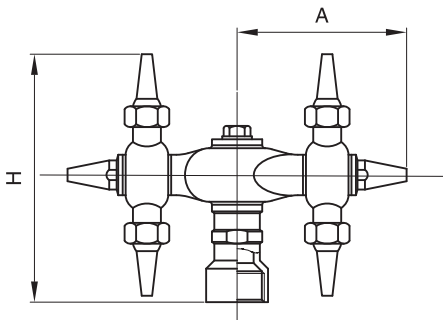
Size	A	Q
1"	95.0	63.0
1 1/2"	110.0	76.0
2"	125.0	91.0
2 1/2"	135.0	100.0

Technical parameter

Size	Pressure (bar)	Cleaning radius (m)	360°/180° Fluxation m3/h
1"	2.5	1.0~1.25	17/10
1 1/4~ 1 1/2"	2.5	1.25~1.75	23/17
2"	3.5	2.0~3.0	55/38
2 1/2"	3.5	3.0~3.5	58/41

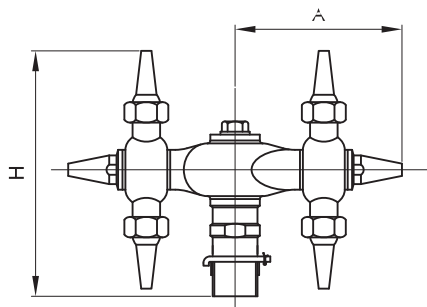
旋转式清洗球 Rotary cleaning ball

No.SM50054



Technical parameter					螺纹式 Threaded
Size	A	H	Pressure (bar)	Cleaning radius (m)	Fluxation m3/h
1"	118.0	165.0	1.5~2.0	2.0~3.0	23
1 1/4~1 1/2"	142.0	189.0	1.8~2.5	2.5~3.0	38
2"	145.0	191.0	2.5~3.0	3.5~4.0	60

No.SM50055



Technical parameter					插销式 Bolted
Size	A	H	Pressure (bar)	Cleaning radius (m)	Fluxation m3/h
1"	118.0	175.0	1.5~2.0	2.0~3.0	23
1 1/4~1 1/2"	142.0	200.0	1.8~2.5	2.5~3.0	38
2"	145.0	205.0	2.5~3.0	3.5~4.0	60