

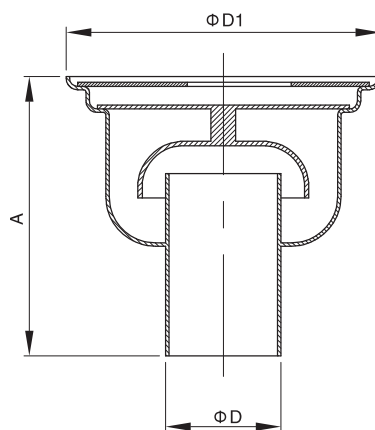
卫生地漏 Drainer

Applications 应用



- 该地漏适用于食品、改料，制药等卫生洁净车间。
- 全不锈钢制作，AISI304/316L
- 规格从1"-4"，DN25-DN100
- 设计有网孔和污料斗防止颗粒污料进入堵塞排泄管道
- 可取下盖子和污料斗清洗地漏防止细菌繁殖

- The drainer is used in the hygienic workshops of food processing, pharmacy industries.
- Material: AISI304/316L
- Size: 1" -4" , DN25-DN100
- Metal meshes and hopper can keep dirty particulates from blocking pipeline.
- Cover and hopper can be cleaned to prevent bacteria from propagating.



Size	A	D	D1
1"	80	25	130
1.5"	80	38	130
2"	100	51	195
2.5"	100	63	195
3"	130	76	230
4"	130	100	230