

过滤器 ( 直通、角式、Y 型 )  
Filter (Straight,Angle,Y Type)



## 过滤器 (直通、角式、Y型) Filter (Straight, Angle, Y Type)



### Applications 应用

- 在食品加工，化妆品和一些化学工业，还有制药工业的辅助服务中，过滤器有着广泛的应用。
- 它的设计卫生，应用于过滤会对泵和其他设备造成损坏的颗粒。
- Filters are widely used in the auxiliary service for food processing, cosmetic, chemicals and pharmacy industries.
- Due to its hygienic design, it mainly used to filter the particulates that destroy pumps and some other equipment.



### Operating Principles 工作原理

- 该过滤器基本上由带进口和出口的过滤体组成，筛网装于过滤体的内部，筛网保留所有等于或大于网孔的颗粒。
- The filter consists of a cartridge with outlet and inlet, and an inner screen to filter all the particulates which are no smaller than the meshes.

### Materials 材质

- 过滤体 AISI 316L AISI304
- 垫圈 EPDM FDA 177.2600
- 内表面处理  $Ra < 0.8 \mu m$
- 外表面处理 镜面抛光
- Cartridge: AISI316L/AISI304
- Gasket: EPDM according to FDA 177.2600
- Inner polish:  $Ra < 0.8 \mu m$
- Outside polish: mirror polish



### Design and features 设计和特点

#### 有几种结构:

- 不用拆开过滤器进行清洗筛网:

#### 角式过滤器:

进口和出口通过右边的角。

#### Y型过滤器:

物料在同一个方向进和出。

- 拆开过滤器进行清洗筛网:

#### 直通过滤器:

物料在同一方向进和出。

Three kinds of constructions are available: straight, angle, Y type.

- Cleaning of the screen, no need to disassemble the filter.

Angle type: inlet and outlet through the right side.

Y type: inlet and outlet are in the same way.

- When clean the screen. You should disassemble the filter.

Straight type: inlet and outlet are in the same way.

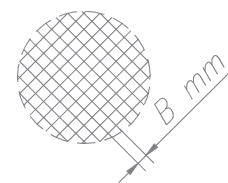
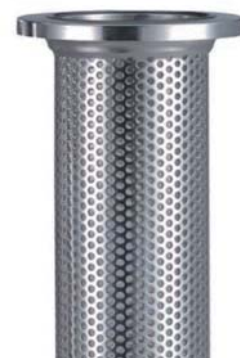
## Options 选项

- 垫圈: EPDM MVQ FPM
- 连接: 卡箍、螺纹、焊接
- 标准: DIN SMS RJT IDF 3A
- 网孔: 0.5mm 到 2.0mm
- 筛网: 30目到 300目
- Gaskets: EPDM, MVQ, FMP
- Connections: Clamp, Thread, Weld
- Standard: DIN, SMS, RJT, IDF, 3A
- Mesh size: 0.5mm to 2.0mm
- Screen: 30grits to 300grits

## Manual instruction: 拆卸

○ 拆卸时请务必保证管道里面没有任何的液体或物料，否则会导致人身伤害。用合适的扳手或夹钳工具拧开卡箍螺母；取出卡箍；用手抬起环形手柄连同滤芯取出；这样就可以清洗、更换。

○ For security, please make sure there is no media in the pipeline. Screw the nut by wrench or jaw, and then take off the clamp. Uplift the handle ring. And draw out it with the filter core. Finally, you can do the cleaning and replacement safely.



## Technical specifications 技术规范

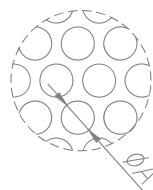
- 规格: DN 25 – DN 150 1" – 6"
- 工作温度: -10 °C 到 +120 °C (EPDM) 14° F 到 248° F  
+140 °C (SIP, 30分) 284° F
- 最大工作压力: 10 bar 145 PSI
- Available sizes: DN 25 – DN 150 1" – 6"
- Working temperature: -10°C to +120°C (EPDM) 14° F to 248° F  
+140°C (SIP, max. 30 min) 284° F
- Max. working pressure: 10 bar 145 PSI

### 筛网：金属网 SCREEN: METAL MESH

网孔目数 Mesh	B (mm)	有效面积 Useful surface (%)
30	0,55	48
40	0,40	46
60	0,30	52,6
80	0,20	42
100	0,15	36,2
165	0,10	45,4

### 筛网：多孔板 SCREEN: PERFORATED LATE

A (mm)	有效面积 Useful surface (%)
0.5	15
1	28
1.5	33
2	30
3	33
5	46





## Summarize 概述

○过滤器是除去液体中少量固体颗粒的小型设备，可保护压缩机、泵、仪表和其它设备的正常工作，当流体进入置有一定规格滤网的滤筒后其杂质被阻挡，而清洁的滤液则由过滤器出口排出，当需要清洗时，只要将可拆卸的滤筒取出，处理后重新装入即可，因此，使用维护极为方便。

○该系列过滤器具有结构紧凑、过滤能力大、压损小、适用范围广、维护方便、价格低廉等优点其主要适用的物料有食品、制药生产中有卫生要求的物料，如：啤酒、饮料、乳制品、糖浆等。

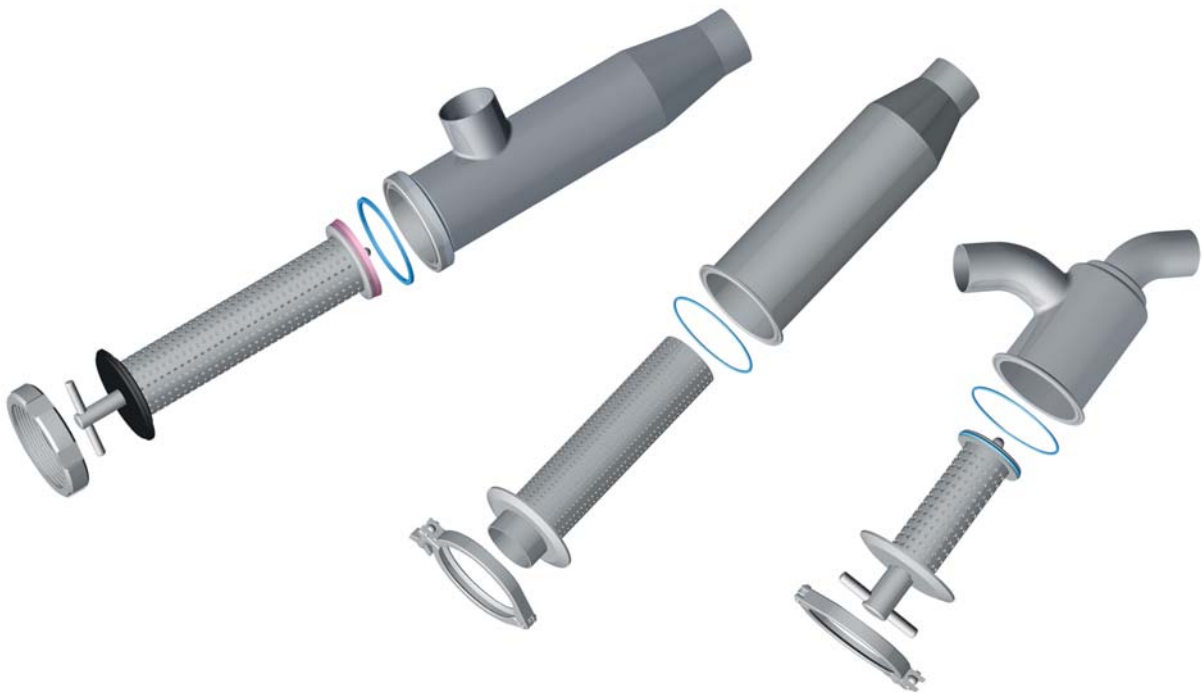
○Filter is used to eliminate the small particulates from compressors, pumps, meters and some other equipment. When liquids flow through the screen, impurity can be held up. And then pure liquids come out through the outlet. When cleaning is needed, you just draw out the cartridge. And out it back after cleaning, it is a very convenient process. Such series filters are compact designs. Strong filter power. Small damage. Favorable price. They are mainly used in food, beverage, dairy and pharmacy industries.

○Angle-type filter: no need to disassemble pipeline, just loose the nut or clamp. screen can be took our easily as shown in the figure: Y-type filter: no need to disassemble pipeline, just loose the nut or clamp. screen can be took our easily as shown in the figure.

角式过滤器，无需拆卸管道，松开过滤上的螺母或卡箍即可取下滤网。

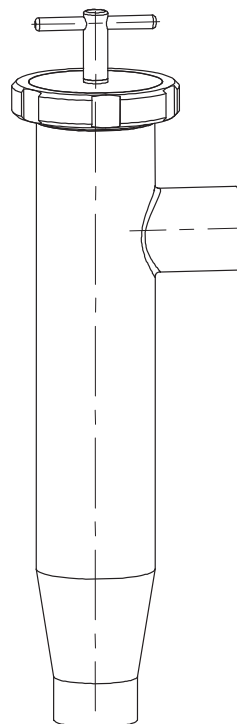
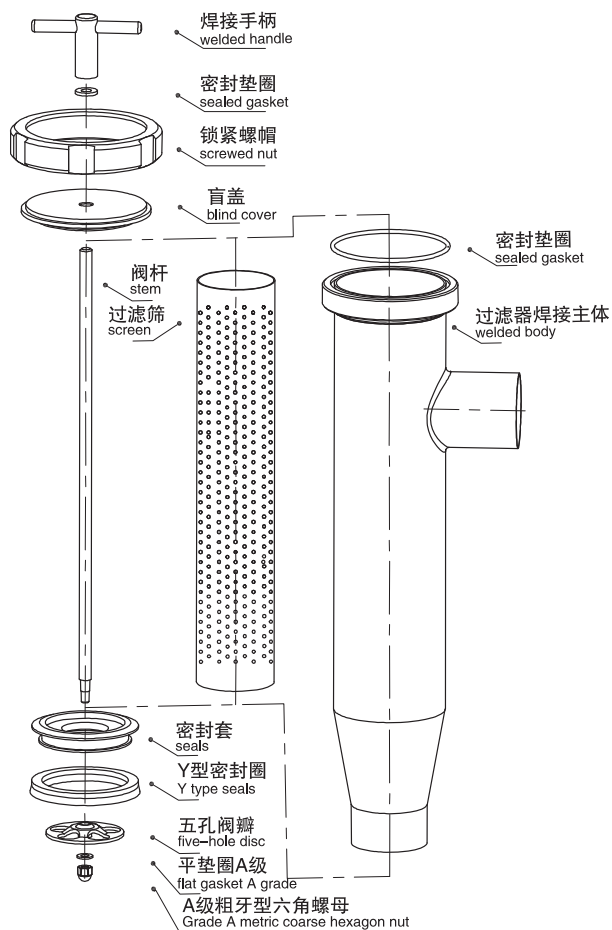
如图所示：

Angle type strainer: to loose the bolts on the strainer or clamps to take off the mesh. No necessary to dismantle the pipe. Please refer to the diagram:

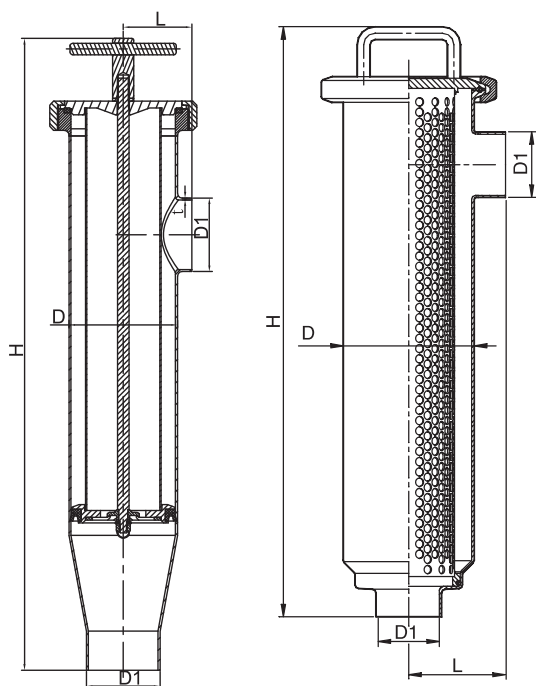


Y型过滤器，清洗滤网时无需拆卸管道即可取下滤网清洗，如图所示

Y type strainer: when cleaning up the mesh, no need to dismantle the pipe. Please refer to the diagram:



No.SM50024



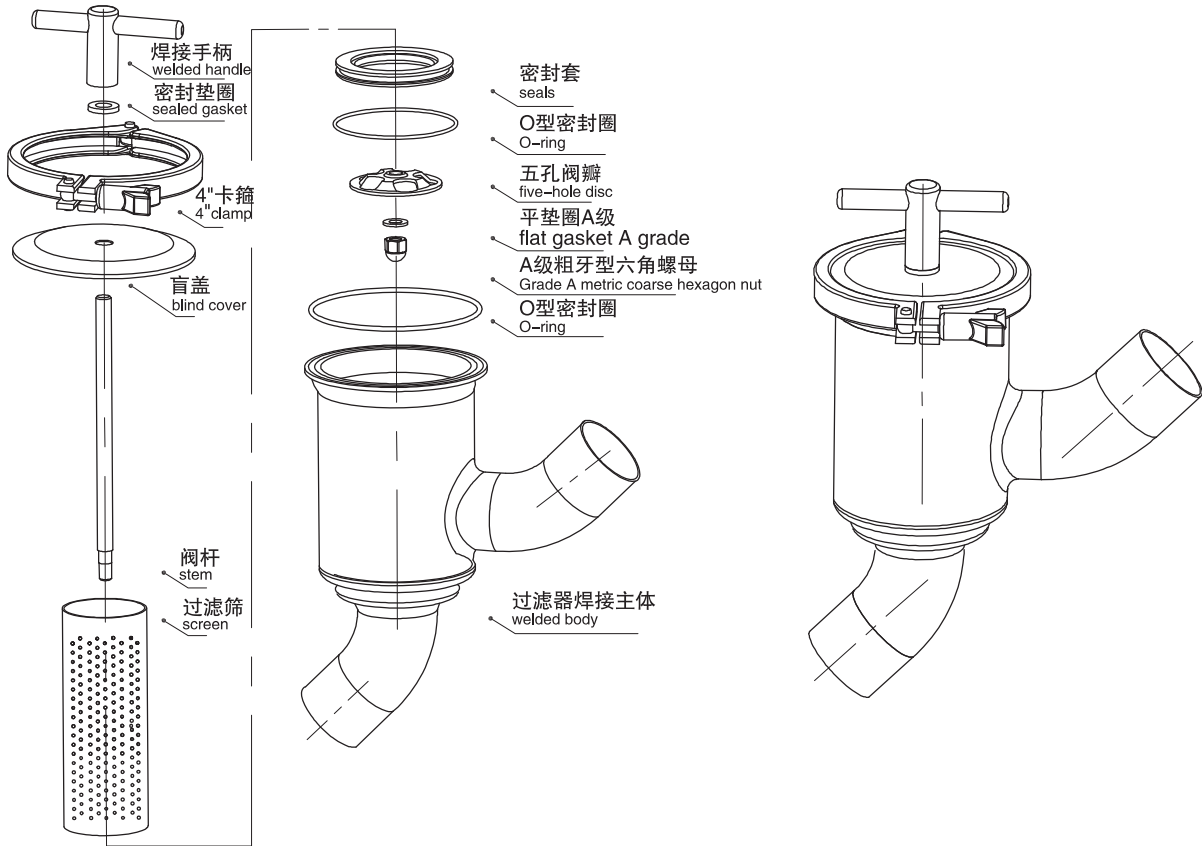
No.SM50025

**角式过滤器 (DIN)**  
**Angle type strainer (DIN)**

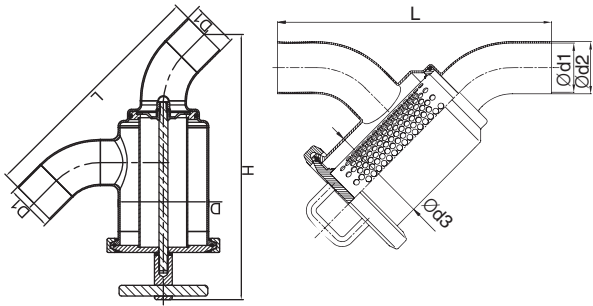
SIZE	H	L	D1		D	t
			1	2		
DN25	425	77.5	28	29	85	1.5
DN32	425	77.5	34	35	85	1.5
DN40	425	77.5	40	41	85	1.5
DN50	425	77.5	52	53	85	1.5
DN65	565	101	70	-	102	2.0
DN80	585	107	85	-	114	2.0
DN100	700	127	100	-	154	2.0

**角式过滤器 (3A、SMS、ISO、DS)**  
**Angle type strainer (3A, SMS, ISO, DS)**

SIZE	H	L	D1	D
1"	425	77.5	25.4	85
1 1/4"	425	77.5	31.8	85
1 1/2"	425	77.5	38	85
2"	425	77.5	50.8	85
2 1/2"	565	104	63.5	102
3"	585	107	76.2	114
3 1/2"	585	107	89	114
4"	700	127	101.6	154



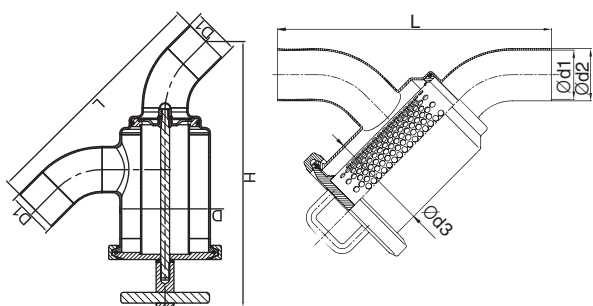
No.SM50026



Y 型过滤器 (DIN)  
Y type strainer (DIN)

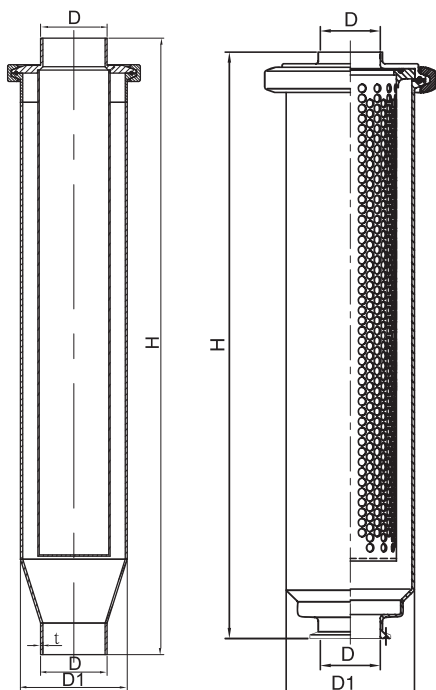
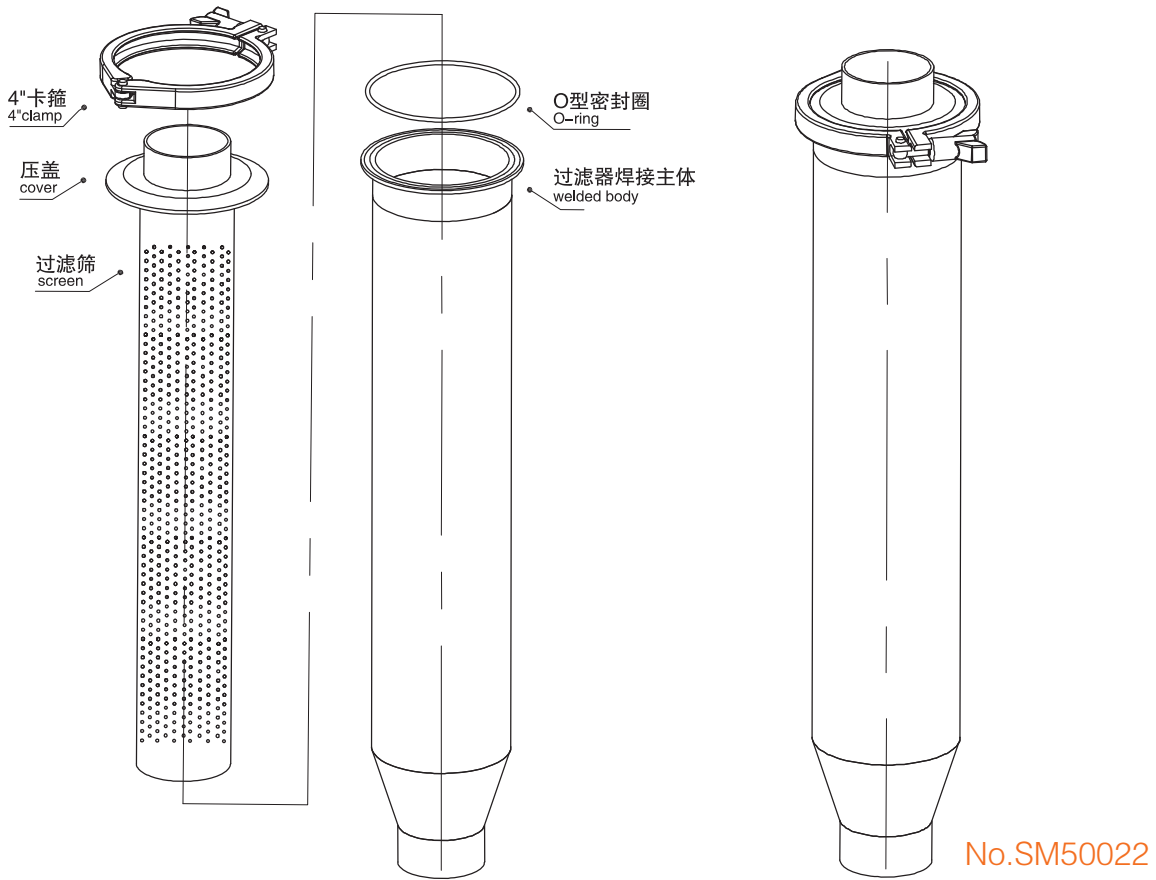
SIZE	H	L	D1		D	t
			1	2		
DN25	275	204	28	29	102	1.5
DN32	288	226	34	35	102	1.5
DN40	282	242	40	41	102	1.5
DN50	312	280	52	53	102	1.5
DN65	390	362	70	-	114	2.0
DN80	405	406	85	-	114	2.0
DN100	565	460	100	-	154	2.0

No.SM50027



Y 型过滤器 (3A、SMS、ISO、DS)  
Y type strainer (3A,SMS,ISO,DS)

Size	H	L	D1	D
1"	275	204	25.4	85
1 1/4"	288	226	31.8	102
1 1/2"	282	242	38	102
2"	312	280	50.8	102
2 1/2"	390	362	63.5	114
3"	405	406	76.2	114
3 1/2"	405	406	89	114
4"	565	460	101.6	154



No.SM50023

**直通过滤器 (DIN)  
Straight type strainer (DIN)**

SIZE	H	D1		D	t
		1	2		
DN25	405	28	29	85	1.5
DN32	405	34	35	85	1.5
DN40	405	40	41	85	1.5
DN50	405	52	53	85	1.5
DN65	485	70	-	102	2.0
DN80	534	85	-	114	2.0
DN100	640	100	-	154	2.0

**直通过滤器 (3A、SMS、ISO、DS)  
Straight type strainer (3A,SMS,ISO,DS)**

Size	H	D1	D
1"	405	25.4	85
1 1/4"	405	31.8	85
1 1/2"	405	38	85
2"	405	50.8	85
2 1/2"	485	63.5	102
3"	534	76.2	114
3 1/2"	534	89	114
4"	640	101.6	154

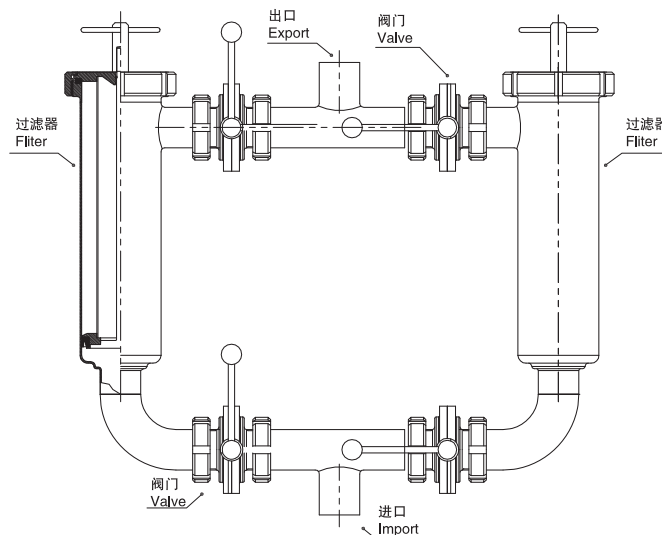


## Applications 应用

- 该双联过滤器适用于去除鲜奶、糖液、饮料等液体中各桶内肉眼无法看见的固体物的净化。
- 两只过滤器交替使用，可不停机更换或清洗滤网，适用于长期连续生产。
- This duplex filters is applied to eliminate the invisible solids from dairy, beverage and pulps, etc. so as to purify the liquids.
- The two filters can run alternatively and continually. Because they can be replaced or cleaned without powering off.

## Technical parameters 技术参数

- 过滤体: AISI316L、AISI304
- 垫圈: EPDM FDA 177.2600
- 内表面处理: Ra < 0.8 μm
- 外表面处理: 镜面抛光
- 网孔: 0.5mm to 2.0mm
- 筛网: 30目to 300目
- 规格: DN 25 – DN 150 1" – 6"
- 工作温度: -10 °C 到+120 °C(EPDM) 14° F 到248 ° F  
+140 °C(SIP,30分) 284 ° F
- 最大工作压力: 10 bar 145 PSI
- Screen hole: 0.5mm – 2.0mm
- Screen: 30–300 meshes
- Size: DN25–DN150/1" – 6"
- Working temperature: -10°C to +120°C(EPDM) 14° F to 248° F  
+140°C (SIP, max. 30 min) 284° F
- Max.working pressure: 10 bar 145 PSI
- Cartridge: AISI304/AISI316L
- Gasket: EPDM according to FDA 177.2600
- Inner surface polish: Ra<0.8um
- External surface polish: mirror polish





## 微孔过滤器 Micro-Filter



### Applications 应用

○在食品加工，化妆品和一些化学工业，还有制药工业的辅助服务中，过滤器有着广泛的应用。

○Filters are widely used in the auxiliary service for food processing, cosmetic, chemicals and pharmacy industries.

### Technical specifications 滤芯参数

根据过滤用途、介质情况、配置不同形式、不同材质的滤芯。如GMP厂制药用水，可以和5um和1.0um褶皱膜筒式滤芯两组串接使用。在发酵工业中空气过滤，可以对送入空气进行除菌，除噬菌体过滤，也可封排出尾气进行处理，达到美国细菌过滤HIM标准。

○滤芯材质：聚丙烯膜(PP)滤芯，聚四氟乙烯膜(PTFE)滤芯，醋酸纤维膜(CN-CA)滤芯。

○滤芯精度：0.1-60um

○长度有 10；20；30和40英寸(即250；500；750；1000mm)

○滤芯耐压：0.42mpa，可反冲。

○接口方式有插入式(222、226座二种)和平嘴式二种。

Users should configure different material and type of filter for different purpose and medium. For example, for GMP pharmacy water, we use 5um and 0.1um folded sleeve filters tandem. Another one. In ferment industry, before inputting air, this filter can annihilate the bacteria; in addition, it can dispose the exhaust till the gas reaches HIM standard.

○Materials for filter: PP/PTFE/CN-CA

○Precision: 0.1-60um

○Length: 10", 20", 30", 40" (250,500,750,1000mm)

○Pressure resistance: 0.42mpa. Bounce-backed

○Connections: plugged (222,226)/flat nib style



## 微孔过滤器 Micro-Filter

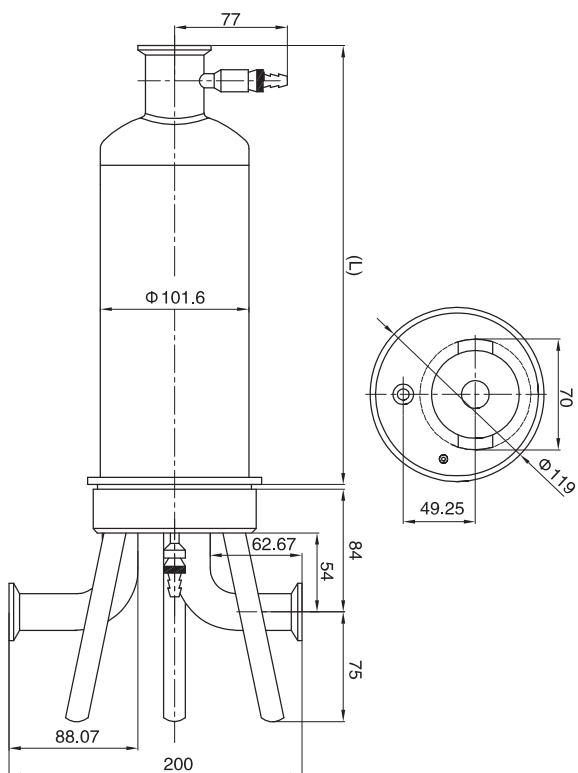
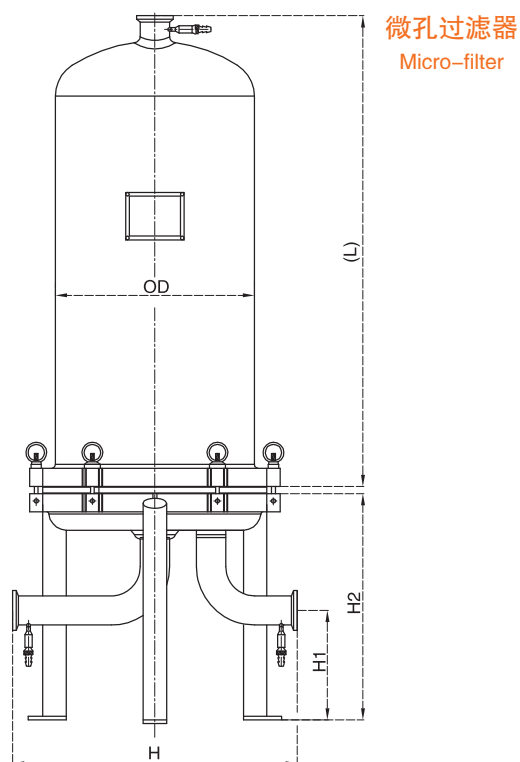


### Technical specifications 技术参数

- 过滤量 T/H: 0.5t/h~25t/h
- 过滤器使用压力 mpa: 0.1~0.6
- 滤筒: 1芯、3芯、5芯、7芯、9芯、11芯、13芯、15芯
- 滤桶高度: 10"、20"、30"、40"
- 滤芯材质: 聚四氟乙烯(PTFE)、聚矾(PE)、尼龙(Nylon)、聚丙烯(PP)等
- 过滤孔径有: 0.1um、0.22um、1um、3um、5um、10um
- 分疏水性: (适用于气体) 和亲水性 (适用于液体)滤芯, 可根据需要选用。
- 内表面处理: 粗糙度Ra0.2um。
- 滤桶材质: ASTM304/316L
- Capacity: 0.5t/h~25t/h
- Pressure: 0.1~0.6mpa
- Cartridge: 1 core, 3 cores, 5cores, 7 core, 11 core, 13 cores, 15 cores.
- Length: 10", 20", 30", 40",
- Materials: PTFE/PE/NYLON/PP
- Hole dia.: 0.1um, 0.22um, 1um, 3um, 5um, 10um.
- Water alien filter (for gas), water intimate filter (for liquid).
- Internal surface polish: a<0.2um
- Cartridge material: ASTM304/316L

### Introduction 微孔过滤器概况

- 微孔过滤器它可以滤除液体、气体的0.1um以上的微粒和细菌，它有过滤精度高、过滤速度快、吸附少、无介质脱落、耐酸碱腐蚀、操作方便等优点。现已广泛用于医药、化工、电子、饮料、果酒、生化处理、环保等工业的必需设备。
  - 其特点是体积小、重量轻、使用方便、过滤面积大、堵塞率低、过滤速度快、无污染、热稀稳定性及化学稳定性好。
  - 用户在使用前，必须根据过滤用途、介质情况、配置不同形式、不同材质的滤芯。如GMP厂制药用水，可以和5um和1.0um褶皱膜筒式滤芯两组串接使用。在发酵工业中空气过滤，可以对送入空气进行除菌，除噬菌体过滤，也可封排出尾气进行处理，达到美国细菌过滤HIM标准。
  - Micro-filter can eliminate the particulates and bacteria larger than 0.1um from liquids and gas. Due to the following advantages: high precision, fast speed. Low adsorption, no media fall off, acid-resistant, lye-resistant. Easy operation. It is widely used in pharmacy, chemical, winery, beverage industries. Etc.
  - Futures: small volume, lightweight, large filter area, low jam, fast filter speed. non-pollution, good chemical and calorific stabilities.
  - Users should configure different material and type of filter for different purpose and medium.
- For example, for GMP pharmacy water, we use 5um and 0.1um folded sleeve filters tandem. Another one. In ferment industry, before inputting air, this filter can annihilate the bacteria; in addition, it can dispose the exhaust till the gas reaches HIM standard.



### 七芯过滤器 Seven cores filter

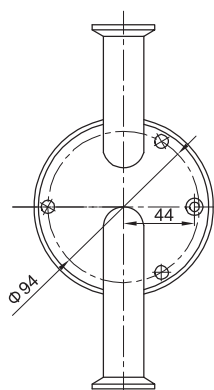
高度	L	OD	H	H1	H2	滤芯接口
10"	380	273	390	150	310	226(222)
20"	630	273	390	150	310	226(222)
30"	880	273	390	150	310	226(222)
40"	1130	273	390	150	310	226(222)

### 五芯过滤器 Five cores filter

高度	L	OD	H	H1	H2	滤芯接口
10"	380	219	335	150	310	226(222)
20"	630	219	335	150	310	226(222)
30"	880	219	335	150	310	226(222)
40"	1130	219	335	150	310	226(222)

### 三芯过滤器 Three cores filter

高度	L	OD	H	H1	H2	滤芯接口
10"	380	200	300	150	290	226(222)
20"	630	200	300	150	290	226(222)
30"	880	200	300	150	290	226(222)
40"	1130	200	300	150	290	226(222)



高度	L	滤芯接口
5"	233(185)	226(7#)
10"	360	226(7#)
20"	614	226(7#)
30"	868	226(7#)

## 空气呼吸器 Rebreather



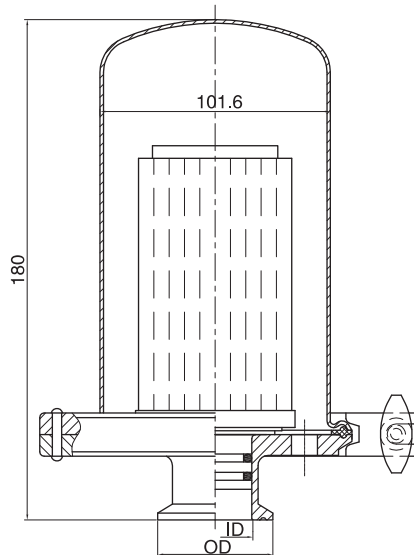
### Applications 应用

利用微孔过滤器的过滤原理，防止储罐因液位下降吸入空气时外部空气中尘埃粒子的进入，保证了罐内空气的洁净度。

- 壳体材料采用进口316L或304
- 内表面经抛光处理
- 表面粗糙度Ra0.2 μm
- 通量：0.75m<sup>3</sup>/min、1.5m<sup>3</sup>/min、3m<sup>3</sup>/min
- 接口方式有：卡箍式、法兰

The principle is same as micro-filter's. It can prevent the outside particulates coming into the storage tank due to the liquid level descends. It ensures the air purity in the tank.

- Housing material: 316L/304.
- Inner surface polish: Ra<0.2um
- Capacity: 0.75/min, 1.5/min,3/min
- Connection ends: Clamped. Flanged



Size	ID	OD
1"	22	50.5
1 1/4"	29	50.5
1.5"	35	50.5
2"	48	64