

東元榮獲國家品質獎

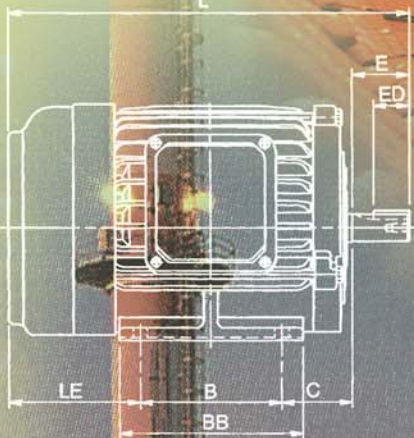
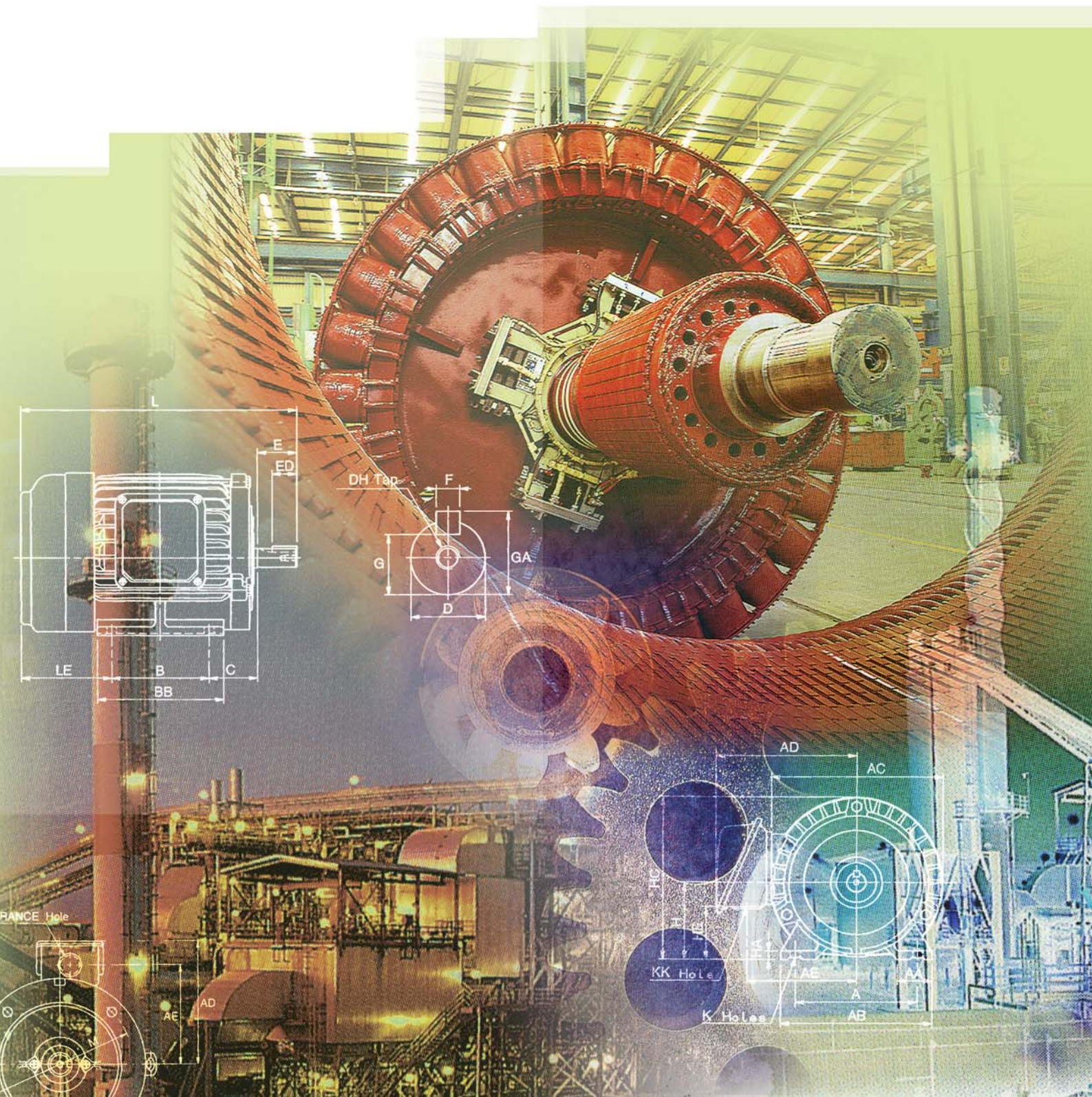
ISO-9001國際品保認證

ISO-14001環境管理認證



東元^{低壓}_{三相}感應電動機

AEEF · AEVF系列



特點

- 因應世界性之趨勢，AEEF 系列依據新修訂 CNS 規格，軸端、鍵及鍵槽尺寸與公差配合國際規格 IEC 而設計，使國內規格與國際規格整合化，強化產品國際競爭力。
- AEEF 系列依框號不同採用 E 級 (框號 63-112M)、B 級 (框號 132S-180M)、F 級 (框號 180L-315M) 之絕緣，並採用耐熱性、對環境適用性等優良特點之電線及絕緣材料，更提高信賴性。
- 配合 IEC 規格，規定轉矩特性、啟動輸入特性，並決定其計算方法，此外更規定新的噪音位準基準值及噪音試驗方法，以實現低噪音化，使規格更充實更具高信賴性。
- 保護方式由 IP44 升級為 IP54，防塵埃，防水濺，符合國際標準，安全更具保障性。
- 風罩新型設計榮獲國家專利 (新型第 131186 號)，具有造型美觀、降低噪音、增強風量與增強安全性之優越功能。



美觀方便

- 全自動鑄造設備自鑄精密外殼，外型嶄新美觀。
- 國際性統一 IEC 尺寸，舉世通用，互換性百分之百，保養簡便。
- 小型化設計，框號降低，體小量輕，經濟性佳，搬運、安裝方便。
- 軸端附攻牙 (攻牙規格依 BS-4999)，使用更具選擇性與方便性。

精密信賴

- 電腦設計，以最新式自動機械精密加工，電子儀器檢驗，一貫作業生產。
- 採用專利繞線方式及專用軸承，精密度高。
- 特性符合國際電氣協會 (IEC) 標準，信賴性高。
- 採用新型 T-BOX，防塵性與防水性更佳。

堅固耐用

- 密封構造，防塵、防水滴及油沫。
- 高效率冷卻構造，減少風損，節約能源。高分子樹脂絕緣，耐力無比，在惡劣環境也能勝任。
- 風罩設計符合歐洲聯盟 EN294 法規，堅固耐用，安全更具保障性。
- 保護方式 IP54，採用新型 T-BOX，L 側增強擋塵圈，防塵性與防水性更佳。

強勁安靜

- 採用特殊槽壓鑄鋁轉子，啟動轉矩大，慣性小，節省起動停止時間。
- 振動小，噪音低。
- 具備各種轉速供各界選用。

特性表

全封閉式，週溫40°C，連續

220V 60Hz

| 輸出 | | 滿載轉速 RPM | 框號 | 效率 | | | 功率因數 | | | 電流 | | 轉矩 | | | 轉子慣量 KG-M ² |
|------|------|-------------|--------|------|------------|------------|------|------------|------------|---------|---------|------------|------------------|------------------|---------------------------|
| HP | kW | | | 滿載% | 3/4 負載% | 1/2 負載% | 滿載% | 3/4 負載% | 1/2 負載% | 滿載 A | 起動 A | 滿載 KG-M | 起動 轉矩 %FLT | 最大 轉矩 %FLT | |
| 0.25 | 0.18 | 3335 | 63 | 61.0 | 59.5 | 52.0 | 77.0 | 67.5 | 55.5 | 1.0 | 6 | 0.054 | 400 | 370 | 0.002 |
| | | 1640 | 63 | 67.0 | 66.0 | 61.0 | 65.5 | 56.0 | 44.0 | 1.1 | 6 | 0.111 | 250 | 240 | 0.002 |
| | | 1120 | 71 | 64.0 | 57.5 | 49.5 | 60.0 | 53.0 | 43.0 | 1.3 | 6 | 0.162 | 260 | 290 | 0.007 |
| 0.5 | 0.37 | 3400 | 71 | 75.0 | 74.5 | 70.0 | 86.0 | 79.0 | 68.5 | 1.5 | 12 | 0.107 | 340 | 310 | 0.002 |
| | | 1680 | 71 | 70.0 | 66.5 | 60.5 | 71.0 | 60.5 | 48.0 | 2.0 | 12 | 0.216 | 200 | 250 | 0.005 |
| | | 1135 | 80 | 68.0 | 64.0 | 57.5 | 67.0 | 56.0 | 45.0 | 2.2 | 12 | 0.320 | 200 | 240 | 0.009 |
| 1 | 0.75 | 3395 | 80 | 77.0 | 77.5 | 75.0 | 87.0 | 83.5 | 73.5 | 2.9 | 19 | 0.214 | 220 | 280 | 0.005 |
| | | 1710 | 80 | 76.0 | 74.5 | 70.0 | 76.5 | 67.5 | 54.5 | 3.4 | 19 | 0.424 | 250 | 280 | 0.009 |
| | | 1140 | 90L | 76.0 | 75.5 | 71.5 | 71.0 | 62.5 | 50.0 | 3.6 | 19 | 0.637 | 200 | 240 | 0.017 |
| 2 | 1.5 | 3425 | 90L | 80.0 | 81.5 | 80.0 | 89.0 | 83.0 | 74.5 | 5.5 | 40 | 0.424 | 250 | 280 | 0.010 |
| | | 1715 | 90L | 79.0 | 79.0 | 75.0 | 81.0 | 70.5 | 57.0 | 6.1 | 40 | 0.846 | 220 | 280 | 0.017 |
| | | 1140 | 100L | 78.0 | 77.5 | 74.0 | 74.0 | 66.0 | 54.0 | 6.8 | 40 | 1.273 | 180 | 220 | 0.033 |
| 3 | 2.2 | 3450 | 90L | 82.0 | 84.5 | 82.0 | 89.0 | 85.5 | 76.5 | 8.1 | 68 | 0.631 | 230 | 280 | 0.015 |
| | | 1735 | 100L | 82.0 | 83.5 | 80.5 | 82.5 | 78.5 | 66.5 | 8.7 | 68 | 1.255 | 210 | 260 | 0.033 |
| | | 1160 | 112M | 82.0 | 82.0 | 78.5 | 77.0 | 67.5 | 56.0 | 9.3 | 68 | 1.877 | 180 | 270 | 0.059 |
| 5 | 3.7 | 3485 | 112M | 84.5 | 86.0 | 83.5 | 90.0 | 88.5 | 82.0 | 12.9 | 110 | 1.041 | 240 | 340 | 0.038 |
| | | 1745 | 112M | 85.0 | 85.5 | 83.0 | 85.0 | 80.0 | 70.0 | 13.5 | 110 | 2.080 | 220 | 300 | 0.059 |
| | | 1160 | 132S | 84.0 | 83.0 | 79.5 | 77.0 | 69.5 | 58.0 | 15.1 | 110 | 3.129 | 180 | 230 | 0.151 |
| 7.5 | 5.5 | 3505 | 132S | 85.0 | 86.5 | 84.0 | 90.0 | 86.5 | 81.5 | 19.2 | 160 | 1.553 | 220 | 260 | 0.063 |
| | | 1750 | 132S | 87.0 | 87.0 | 85.0 | 84.0 | 78.5 | 68.5 | 20.1 | 160 | 3.111 | 230 | 280 | 0.104 |
| | | 1160 | 132M | 85.0 | 86.0 | 83.5 | 77.5 | 72.0 | 60.5 | 22.3 | 160 | 4.693 | 200 | 230 | 0.217 |
| 10 | 7.5 | 3510 | 132S | 86.5 | 88.0 | 85.5 | 90.0 | 87.0 | 81.0 | 25.1 | 200 | 2.068 | 200 | 270 | 0.076 |
| | | 1750 | 132M | 88.5 | 89.0 | 87.5 | 88.0 | 85.5 | 76.0 | 25.1 | 200 | 4.148 | 220 | 250 | 0.143 |
| | | 1175 | 160M | 87.0 | 86.0 | 84.0 | 80.0 | 68.0 | 62.5 | 28.1 | 200 | 6.178 | 280 | 300 | 0.400 |
| 15 | 11 | 3540 | 160M | 88.0 | 87.5 | 86.5 | 90.0 | 88.0 | 84.0 | 37.1 | 290 | 3.076 | 220 | 300 | 0.147 |
| | | 1760 | 160M | 90.0 | 89.5 | 88.0 | 89.0 | 86.0 | 78.5 | 36.7 | 290 | 6.186 | 220 | 250 | 0.297 |
| | | 1170 | 160L | 89.5 | 88.5 | 88.0 | 84.0 | 73.0 | 70.5 | 39.1 | 290 | 9.306 | 240 | 260 | 0.588 |
| 20 | 15 | 3520 | 160M | 89.5 | 90.0 | 89.0 | 91.0 | 90.0 | 87.5 | 48.1 | 360 | 4.124 | 210 | 260 | 0.183 |
| | | 1760 | 160L | 90.5 | 90.5 | 90.5 | 86.0 | 84.0 | 76.5 | 50.3 | 360 | 8.248 | 230 | 260 | 0.381 |
| | | 1170 | 180MC | 90.0 | 91.5 | 90.5 | 85.0 | 79.5 | 70.5 | 51.2 | 360 | 12.408 | 230 | 250 | 1.054 |
| 25 | 18.5 | 3530 | 160L | 90.0 | 91.5 | 90.5 | 89.5 | 90.5 | 87.0 | 60.8 | 480 | 5.141 | 240 | 290 | 0.237 |
| | | 1760 | 180MC | 91.0 | 91.0 | 90.0 | 85.5 | 83.0 | 77.0 | 62.9 | 440 | 10.310 | 210 | 240 | 0.571 |
| | | 1170 | 180LC | 90.0 | 91.0 | 90.5 | 84.5 | 80.0 | 72.0 | 64.4 | 440 | 15.510 | 220 | 250 | 1.233 |
| 30 | 22 | 3540 | 180MA | 90.5 | 91.5 | 89.5 | 90.0 | 88.5 | 83.5 | 72.1 | 550 | 6.151 | 210 | 250 | 0.302 |
| | | 1765 | 180MC | 91.5 | 92.5 | 91.5 | 88.0 | 83.5 | 77.0 | 72.9 | 550 | 12.338 | 210 | 250 | 0.706 |
| | | 1175 | 180LC | 91.0 | 92.0 | 91.0 | 84.0 | 78.5 | 69.5 | 76.8 | 550 | 18.533 | 250 | 260 | 1.438 |
| 40 | 30 | 3520 | 180LA | 90.5 | 91.0 | 89.5 | 91.0 | 90.0 | 85.5 | 95.1 | 680 | 8.248 | 230 | 250 | 0.358 |
| | | 1760 | 180LC | 92.0 | 93.0 | 92.5 | 88.0 | 84.5 | 78.0 | 96.7 | 680 | 16.497 | 220 | 240 | 0.810 |
| | | 1170 | 200LC | 92.0 | 92.5 | 92.5 | 85.0 | 80.0 | 73.5 | 100 | 620 | 24.816 | 190 | 200 | 1.919 |
| 50 | 37 | 3545 | 200LA | 91.0 | 90.0 | 87.5 | 89.0 | 90.5 | 87.0 | 121 | 800 | 10.238 | 150 | 210 | 0.602 |
| | | 1770 | 200LC | 92.0 | 93.0 | 92.0 | 86.0 | 85.5 | 81.5 | 124 | 950 | 20.504 | 240 | 250 | 1.422 |
| | | 1175 | 200LC | 92.5 | 93.0 | 92.5 | 84.0 | 78.0 | 70.5 | 126 | 850 | 30.888 | 210 | 230 | 2.419 |
| 60 | 45 | 3545 | 200LA | 91.5 | 91.5 | 90.0 | 90.0 | 86.5 | 82.5 | 143 | 950 | 12.285 | 170 | 220 | 0.633 |
| | | 1765 | 200LC | 92.0 | 93.0 | 92.5 | 89.0 | 87.0 | 84.0 | 144 | 1060 | 24.675 | 210 | 230 | 1.643 |
| | | 1180 | 225SC | 92.5 | 93.0 | 92.0 | 86.0 | 84.0 | 76.5 | 148 | 980 | 36.908 | 220 | 220 | 3.023 |
| 75 | 55 | 3550 | 225SA | 92.0 | 93.0 | 91.5 | 92.0 | 91.5 | 87.5 | 174 | 1220 | 15.335 | 150 | 210 | 1.187 |
| | | 1775 | 225SC | 92.5 | 93.5 | 92.0 | 86.5 | 85.5 | 79.5 | 184 | 1220 | 30.670 | 180 | 200 | 1.979 |
| | | 1175 | A250SC | 93.0 | 93.5 | 93.0 | 85.5 | 85.0 | 78.0 | 185 | 1220 | 46.331 | 200 | 200 | 4.923 |
| | | 885 | 280S | 92.0 | 91.5 | 90.0 | 77.5 | 73.5 | 65.0 | 202 | 1215 | 60.5 | 135 | 210 | 16.0 |
| 100 | 75 | 3550 | A250SA | 93.5 | 93.5 | 93.0 | 91.5 | 89.5 | 88.5 | 229 | 1600 | 20.447 | 130 | 240 | 1.678 |
| | | 1775 | A250SC | 93.5 | 92.5 | 91.0 | 89.0 | 87.0 | 83.0 | 235 | 1600 | 40.893 | 170 | 270 | 4.226 |
| | | 1175 | A250MC | 93.5 | 94.0 | 93.5 | 86.0 | 83.5 | 78.5 | 244 | 1600 | 61.775 | 200 | 250 | 6.382 |
| | | 885 | 280M | 92.5 | 92.0 | 90.5 | 77.5 | 74.0 | 65.0 | 276 | 1660 | 82.5 | 135 | 210 | 19.6 |
| 125 | 90 | 3555 | A250MA | 94.0 | 93.5 | 92.0 | 91.5 | 90.5 | 86.5 | 285 | 2150 | 25.522 | 150 | 260 | 2.014 |
| | | 1770 | A250MC | 94.0 | 94.0 | 93.0 | 92.0 | 92.0 | 89.5 | 283 | 2150 | 51.261 | 190 | 230 | 5.101 |
| | | 1180 | 280S | 94.0 | 92.8 | 92.0 | 85.0 | 81.5 | 73.5 | 296 | 1990 | 74.3 | 130 | 230 | 13.8 |
| | | 885 | 315S | 93.0 | 92.5 | 90.5 | 78.0 | 74.0 | 65.0 | 326 | 1990 | 99.0 | 130 | 210 | 21.5 |
| 150 | 110 | 3565 | 280S | 94.0 | 93.3 | 91.5 | 89.5 | 88.5 | 84.0 | 343 | 2435 | 30.0 | 100 | 220 | 4.0 |
| | | 1770 | 280S | 94.7 | 94.2 | 92.7 | 87.0 | 85.0 | 78.0 | 350 | 2435 | 60.5 | 130 | 230 | 7.6 |
| | | 1180 | 280M | 94.3 | 93.6 | 92.0 | 85.5 | 82.0 | 73.5 | 358 | 2435 | 90.8 | 130 | 230 | 15.2 |
| | | 885 | 315M | 93.0 | 92.5 | 90.5 | 78.0 | 74.0 | 65.0 | 398 | 2435 | 121.0 | 130 | 210 | 25.5 |
| 175 | 132 | 3565 | 280M | 94.5 | 93.8 | 92.0 | 89.0 | 88.0 | 83.5 | 412 | 2920 | 36.1 | 100 | 220 | 4.5 |
| | | 1770 | 280M | 94.9 | 94.4 | 92.9 | 88.0 | 86.0 | 79.0 | 415 | 2920 | 72.6 | 130 | 230 | 8.6 |
| | | 1185 | 315S | 94.5 | 94.0 | 92.5 | 86.0 | 83.0 | 77.0 | 426 | 2920 | 108.5 | 130 | 230 | 18.5 |
| 200 | 160 | 3570 | 315S | 94.8 | 94.1 | 92.0 | 90.5 | 79.8 | 86.5 | 489 | 3540 | 43.6 | 100 | 220 | 5.7 |
| | | 1775 | 315S | 95.0 | 94.5 | 92.9 | 89.5 | 87.5 | 80.5 | 494 | 3540 | 87.8 | 130 | 230 | 11.2 |
| | | 1185 | 315M | 94.6 | 94.2 | 92.7 | 86.5 | 83.5 | 80.0 | 513 | 3540 | 131.5 | 130 | 230 | 21.4 |
| 250 | 200 | 3570 | 315M | 95.0 | 94.2 | 92.0 | 91.2 | 90.5 | 88.5 | 605 | 4425 | 54.7 | 100 | 220 | 7.2 |
| | | 1775 | 315M | 95.0 | 94.2 | 92.0 | 90.0 | 88.0 | 80.5 | 612 | 4425 | 109.7 | 120 | 230 | 14.2 |

註：1.上列標稱代表值為實測值 2.特性試驗方法依據 CNS 10919 3.特性試驗裕度：依據JEC-146 4.以上數值若有變更，恕不另行通知

續額定，使用係數S.F.1.0

380V 50Hz

| 輸出 | | 滿載轉速 RPM | 框號 | 效率 | | | 功率因數 | | | 電流 | | 轉矩 | | | 轉子慣量 KG-M ² |
|------|------|-------------|--------|------|------------|------------|------|------------|------------|---------|---------|------------|------------------|------------------|---------------------------|
| HP | kW | | | 滿載% | 3/4 負載% | 1/2 負載% | 滿載% | 3/4 負載% | 1/2 負載% | 滿載 A | 起動 A | 滿載 KG-M | 起動 轉矩 %FLT | 最大 轉矩 %FLT | |
| 0.25 | 0.18 | 2725 | 63 | 56.0 | 59.5 | 54.0 | 76.5 | 71.0 | 59.0 | 0.66 | 3.5 | 0.067 | 400 | 330 | 0.002 |
| | | 1345 | 63 | 64.0 | 63.0 | 57.0 | 68.5 | 58.5 | 45.5 | 0.65 | 3.5 | 0.135 | 220 | 240 | 0.002 |
| | | 910 | 71 | 60.0 | 54.5 | 48.0 | 60.0 | 52.0 | 42.0 | 0.79 | 3.5 | 0.199 | 260 | 270 | 0.007 |
| 0.5 | 0.37 | 2815 | 71 | 75.0 | 74.5 | 70.5 | 85.0 | 78.0 | 67.0 | 0.89 | 7 | 0.129 | 320 | 280 | 0.002 |
| | | 1370 | 71 | 65.5 | 66.0 | 60.5 | 70.0 | 62.0 | 49.0 | 1.24 | 7 | 0.265 | 200 | 230 | 0.005 |
| | | 930 | 80 | 63.0 | 61.5 | 55.0 | 67.0 | 57.0 | 45.5 | 1.34 | 7 | 0.390 | 200 | 230 | 0.009 |
| 1 | 0.75 | 2800 | 80 | 76.5 | 79.0 | 76.0 | 87.0 | 82.0 | 73.0 | 1.70 | 11 | 0.259 | 220 | 280 | 0.005 |
| | | 1395 | 80 | 73.0 | 73.0 | 68.5 | 74.0 | 67.0 | 54.0 | 2.13 | 11 | 0.520 | 250 | 280 | 0.009 |
| | | 950 | 90L | 71.0 | 71.5 | 66.5 | 70.0 | 61.0 | 49.0 | 2.28 | 11 | 0.764 | 190 | 230 | 0.017 |
| 2 | 1.5 | 2840 | 90L | 80.0 | 82.0 | 80.0 | 88.0 | 84.0 | 75.5 | 3.22 | 23 | 0.511 | 250 | 280 | 0.010 |
| | | 1400 | 90L | 78.5 | 78.5 | 75.0 | 78.5 | 74.0 | 60.5 | 3.68 | 23 | 1.037 | 220 | 280 | 0.017 |
| | | 930 | 100L | 76.0 | 76.0 | 71.0 | 71.5 | 66.0 | 52.5 | 4.17 | 23 | 1.561 | 180 | 220 | 0.033 |
| 3 | 2.2 | 2845 | 90L | 83.5 | 84.5 | 83.0 | 88.5 | 84.0 | 75.5 | 4.60 | 39 | 0.765 | 250 | 280 | 0.015 |
| | | 1435 | 100L | 81.0 | 81.5 | 79.0 | 82.0 | 74.0 | 62.0 | 5.12 | 39 | 1.517 | 210 | 260 | 0.033 |
| | | 955 | 112M | 79.0 | 79.0 | 76.5 | 76.0 | 67.5 | 55.0 | 5.66 | 39 | 2.280 | 180 | 230 | 0.059 |
| 5 | 3.7 | 2880 | 112M | 85.5 | 86.5 | 84.5 | 90.0 | 87.0 | 79.0 | 7.36 | 63 | 1.260 | 240 | 320 | 0.038 |
| | | 1445 | 112M | 84.5 | 84.5 | 82.5 | 83.5 | 76.5 | 65.0 | 8.03 | 63 | 2.512 | 220 | 290 | 0.059 |
| | | 960 | 132S | 82.0 | 82.0 | 77.0 | 75.5 | 65.5 | 53.5 | 9.15 | 63 | 3.781 | 180 | 230 | 0.151 |
| 7.5 | 5.5 | 2905 | 132S | 86.5 | 87.5 | 85.5 | 88.5 | 86.5 | 81.0 | 11.1 | 93 | 1.874 | 210 | 260 | 0.063 |
| | | 1445 | 132S | 86.0 | 86.0 | 83.0 | 82.5 | 77.0 | 65.5 | 12.0 | 93 | 3.767 | 220 | 280 | 0.104 |
| | | 960 | 132M | 84.5 | 84.0 | 81.0 | 77.5 | 71.0 | 60.0 | 13.0 | 93 | 5.671 | 200 | 230 | 0.217 |
| 10 | 7.5 | 2905 | 132S | 88.5 | 88.5 | 87.0 | 88.5 | 85.0 | 78.0 | 14.5 | 116 | 2.499 | 200 | 250 | 0.076 |
| | | 1450 | 132M | 87.5 | 88.0 | 86.5 | 85.5 | 81.5 | 71.0 | 15.2 | 116 | 5.006 | 220 | 250 | 0.143 |
| | | 975 | 160M | 86.0 | 86.5 | 84.0 | 80.0 | 71.5 | 59.0 | 16.5 | 116 | 7.445 | 270 | 300 | 0.400 |
| 15 | 11 | 2940 | 160M | 88.5 | 88.5 | 87.0 | 90.0 | 87.5 | 81.5 | 21.3 | 168 | 3.703 | 210 | 290 | 0.147 |
| | | 1460 | 160M | 89.5 | 90.0 | 89.0 | 88.0 | 84.0 | 76.0 | 21.6 | 168 | 7.457 | 220 | 250 | 0.297 |
| | | 970 | 160L | 88.5 | 89.5 | 88.0 | 84.0 | 79.5 | 69.5 | 22.9 | 168 | 11.225 | 220 | 260 | 0.588 |
| 20 | 15 | 2920 | 160M | 90.0 | 91.0 | 90.5 | 91.0 | 90.0 | 87.5 | 27.7 | 209 | 4.972 | 210 | 260 | 0.183 |
| | | 1465 | 160L | 90.5 | 90.5 | 89.0 | 88.5 | 83.0 | 77.5 | 28.3 | 209 | 9.909 | 230 | 260 | 0.381 |
| | | 975 | 180MC | 89.0 | 90.5 | 90.0 | 82.5 | 79.0 | 71.0 | 30.9 | 209 | 14.889 | 210 | 230 | 1.054 |
| 25 | 18.5 | 2930 | 160L | 90.0 | 91.0 | 90.0 | 89.5 | 91.5 | 88.0 | 35.2 | 268 | 6.193 | 240 | 290 | 0.237 |
| | | 1455 | 180MC | 91.0 | 91.5 | 91.0 | 86.5 | 82.0 | 76.0 | 36.0 | 268 | 12.472 | 210 | 240 | 0.571 |
| | | 975 | 180LC | 90.0 | 90.5 | 90.0 | 82.5 | 78.0 | 70.0 | 38.2 | 268 | 18.612 | 220 | 240 | 1.233 |
| 30 | 22 | 2940 | 180MA | 91.5 | 91.5 | 90.0 | 90.0 | 87.5 | 82.5 | 41.3 | 319 | 7.407 | 210 | 250 | 0.302 |
| | | 1465 | 180MC | 90.5 | 92.0 | 92.0 | 85.5 | 82.0 | 75.0 | 43.9 | 319 | 14.864 | 210 | 240 | 0.706 |
| | | 975 | 180LC | 90.0 | 90.5 | 89.0 | 82.0 | 76.0 | 66.0 | 46.1 | 319 | 22.334 | 230 | 260 | 1.438 |
| 40 | 30 | 2920 | 180LA | 92.0 | 92.0 | 91.0 | 91.0 | 90.0 | 86.0 | 54.2 | 398 | 9.943 | 210 | 240 | 0.358 |
| | | 1455 | 180LC | 91.5 | 91.5 | 91.0 | 85.0 | 82.0 | 75.0 | 58.3 | 398 | 19.955 | 220 | 230 | 0.810 |
| | | 970 | 200LC | 91.5 | 91.5 | 91.0 | 83.0 | 80.0 | 74.0 | 59.7 | 398 | 29.932 | 190 | 200 | 1.919 |
| 50 | 37 | 2940 | 200LA | 92.0 | 92.0 | 90.5 | 87.5 | 87.5 | 84.5 | 70.4 | 463 | 12.345 | 150 | 210 | 0.602 |
| | | 1470 | 200LC | 92.0 | 92.5 | 92.5 | 86.0 | 86.0 | 82.0 | 71.6 | 463 | 24.689 | 190 | 210 | 1.422 |
| | | 975 | 200LC | 92.0 | 92.0 | 91.0 | 80.0 | 76.0 | 67.0 | 77.0 | 463 | 37.223 | 230 | 250 | 2.419 |
| 60 | 45 | 2955 | 200LA | 92.5 | 92.5 | 90.0 | 87.0 | 85.0 | 80.0 | 84.5 | 582 | 14.738 | 160 | 220 | 0.633 |
| | | 1465 | 200LC | 92.5 | 93.0 | 93.0 | 88.5 | 87.0 | 81.5 | 83.1 | 582 | 29.728 | 190 | 200 | 1.643 |
| | | 980 | 225SC | 92.5 | 92.5 | 91.5 | 84.0 | 82.0 | 73.0 | 87.5 | 582 | 44.440 | 220 | 250 | 3.023 |
| 75 | 55 | 2945 | 225SA | 93.0 | 93.0 | 91.5 | 92.0 | 91.5 | 89.0 | 99.4 | 725 | 18.485 | 140 | 260 | 1.187 |
| | | 1470 | 225SC | 93.0 | 93.0 | 92.5 | 85.0 | 82.5 | 75.0 | 108 | 725 | 37.034 | 180 | 200 | 1.979 |
| | | 980 | A250SC | 93.5 | 94.0 | 93.5 | 86.0 | 83.0 | 76.5 | 106 | 725 | 55.550 | 200 | 200 | 4.923 |
| 75 | 55 | 735 | 280S | 91.5 | 91.2 | 89.5 | 76.0 | 69.0 | 58.0 | 120 | 700 | 72.8 | 140 | 210 | 16.0 |
| | | 2960 | A250SA | 94.0 | 94.0 | 92.0 | 90.0 | 88.0 | 83.5 | 134 | 972 | 24.522 | 130 | 280 | 1.678 |
| | | 1475 | A250SC | 94.0 | 94.0 | 93.5 | 89.0 | 87.0 | 82.0 | 136 | 927 | 49.211 | 240 | 250 | 4.490 |
| 100 | 75 | 975 | A250MC | 93.5 | 93.5 | 92.5 | 87.0 | 84.0 | 78.0 | 140 | 927 | 74.447 | 220 | 250 | 6.382 |
| | | 735 | 280M | 91.5 | 91.2 | 89.5 | 76.0 | 69.0 | 58.0 | 164 | 960 | 99.4 | 140 | 210 | 19.6 |
| | | 2950 | A250MA | 94.0 | 94.0 | 93.0 | 90.5 | 89.5 | 85.0 | 167 | 1245 | 30.757 | 140 | 260 | 2.014 |
| 125 | 90 | 1475 | A250MC | 94.0 | 94.0 | 93.5 | 92.0 | 92.5 | 88.5 | 164 | 1245 | 61.513 | 190 | 230 | 5.101 |
| | | 975 | 280S | 93.8 | 93.6 | 92.0 | 81.0 | 76.5 | 66.5 | 180 | 1150 | 90.0 | 130 | 230 | 13.8 |
| | | 735 | 315S | 92.0 | 91.5 | 90.0 | 77.0 | 70.0 | 60.0 | 193 | 1150 | 119.3 | 140 | 210 | 21.5 |
| 150 | 110 | 2950 | 280S | 94.0 | 93.3 | 91.5 | 87.5 | 85.5 | 81.5 | 203 | 1400 | 36.3 | 100 | 220 | 4.0 |
| | | 1475 | 280S | 94.5 | 94.1 | 92.5 | 83.0 | 81.0 | 74.0 | 213 | 1400 | 72.6 | 130 | 230 | 7.6 |
| | | 975 | 280M | 94.0 | 93.6 | 92.0 | 81.0 | 76.5 | 66.5 | 219 | 1400 | 110.0 | 130 | 230 | 15.2 |
| 175 | 132 | 735 | 315M | 92.0 | 91.5 | 90.0 | 77.0 | 70.0 | 60.0 | 236 | 1400 | 145.7 | 140 | 210 | 25.5 |
| | | 2950 | 280M | 94.5 | 93.8 | 92.0 | 87.0 | 85.0 | 81.0 | 244 | 1690 | 43.6 | 100 | 220 | 4.5 |
| | | 1475 | 280M | 94.8 | 94.3 | 92.8 | 83.5 | 81.5 | 74.0 | 254 | 1690 | 87.2 | 130 | 230 | 8.6 |
| 200 | 160 | 980 | 315S | 94.2 | 93.7 | 92.2 | 83.5 | 76.5 | 66.5 | 255 | 1690 | 131.0 | 130 | 230 | 18.5 |
| | | 2960 | 315S | 94.6 | 94.2 | 92.5 | 90.0 | 88.5 | 83.5 | 285 | 2050 | 52.6 | 100 | 220 | 5.7 |
| | | 1480 | 315S | 94.9 | 94.4 | 92.8 | 88.5 | 86.5 | 79.5 | 290 | 2050 | 105.3 | 130 | 230 | 11.2 |
| 250 | 200 | 980 | 315M | 94.5 | 94.0 | 92.4 | 85.5 | 81.5 | 73.5 | 301 | 2050 | 159.0 | 130 | 230 | 21.4 |
| | | 2960 | 315M | 94.8 | 94.4 | 92.7 | 90.0 | 88.5 | 83.5 | 356 | 2560 | 65.8 | 100 | 220 | 7.2 |
| 270 | 200 | 1480 | 315M | 94.9 | 94.5 | 92.8 | 88.5 | 86.5 | 79.5 | 362 | 2560 | 131.6 | 130 | 230 | 14.2 |

註：1.上列標稱代表值為實測值 2.特性試驗方法依據 CNS 10919 3.特性試驗裕度：依據JEC-146 4.以上數值若有變更，恕不另行通知

AEEF系列外型尺寸圖

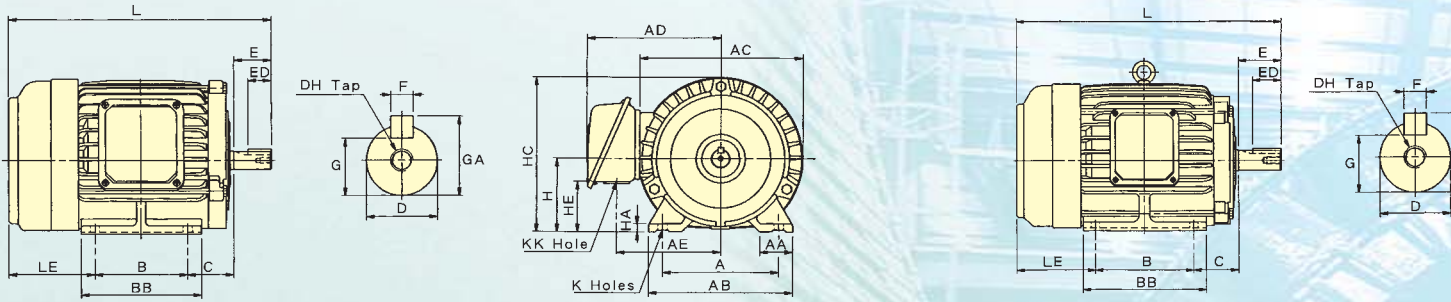


圖 1

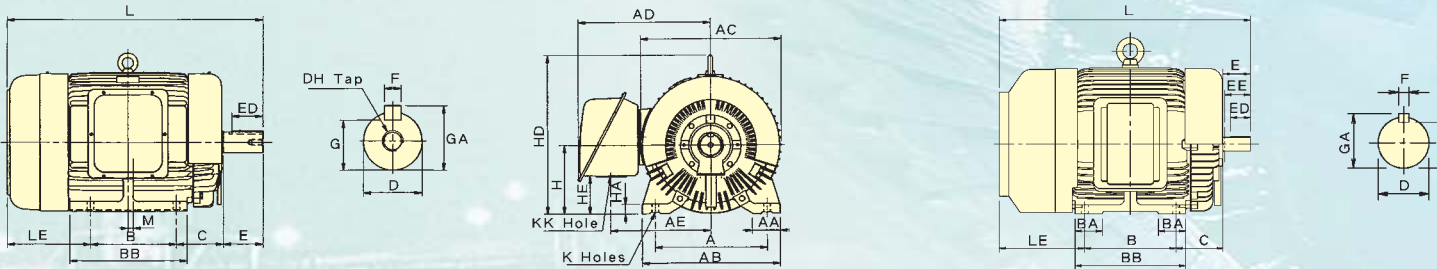


圖 4

| 輸出馬力(HP) | | | | 框號 | 圖號 | A | AA | AB | AC | AD | AE | AF | B | BA | M | BB | C | H | HA | HC | | |
|----------|-----|-----|-----|-------|--------|------|-------|-----|-----|-----|-----|-----|-----|-----|------|-----|-----|-----|------|-------|----|---|
| 2P | 4P | 6P | 8P | | | | | | | | | | | | | | | | | | | |
| 1/4 | 1/4 | — | — | 63 | 1 | 100 | 28 | 120 | 144 | 123 | 93 | — | 80 | — | — | 100 | 40 | 63 | 8 | 135 | | |
| 1/2 | 1/2 | 1/4 | — | 71 | | 112 | 35.5 | 140 | 162 | 133 | 103 | — | 90 | — | — | 115 | 45 | 71 | 8 | 152 | | |
| 1 | 1 | 1/2 | 1/4 | 80 | | 125 | 35.5 | 155 | 177 | 144 | 112 | — | 100 | — | — | 130 | 50 | 80 | 9 | 168.5 | | |
| 2 | 3 | 2 | 1 | 1/2 | 90L | 140 | 35.5 | 170 | 200 | 157 | 125 | — | 125 | — | — | 150 | 56 | 90 | 10 | 190 | | |
| — | 3 | 2 | 1 | 100L | 2 | 160 | 45 | 195 | 219 | 180 | 145 | — | 140 | — | — | 175 | 63 | 100 | 12.5 | — | | |
| 5 | 5 | 3 | 2 | 112M | | 190 | 45 | 224 | 238 | 189 | 154 | — | 140 | — | — | 175 | 70 | 112 | 14 | — | | |
| 7.5 | 10 | 7.5 | 5 | 132S | | 216 | 45 | 250 | 273 | 225 | 180 | — | 140 | — | — | 175 | 89 | 132 | 16 | — | | |
| — | 10 | 7.5 | 5 | 132M | 216 | 45 | 250 | 273 | 225 | 180 | — | 178 | — | — | 212 | 89 | 132 | 16 | — | | | |
| 15 | 20 | 15 | 10 | 7.5 | 160M | 254 | 50 | 300 | 334 | 263 | 218 | — | 210 | — | — | 250 | 108 | 160 | 18 | — | | |
| 25 | 20 | 15 | 10 | 160L | 254 | 50 | 300 | 334 | 263 | 218 | — | 254 | — | — | 300 | 108 | 160 | 18 | — | | | |
| 30 | — | — | — | 180MA | 279 | 75 | 355 | 382 | 305 | 250 | — | 241 | — | — | 297 | 121 | 180 | 20 | — | | | |
| — | 25 | 30 | 20 | 15 | 180MC | 279 | 75 | 355 | 382 | 305 | 250 | — | 241 | — | — | 297 | 121 | 180 | 20 | — | | |
| 40 | — | — | — | 180LA | 279 | 75 | 355 | 382 | 305 | 250 | — | 279 | — | — | 335 | 121 | 180 | 20 | — | | | |
| — | 40 | 25 | 30 | 20 | 180LC | 279 | 75 | 355 | 382 | 305 | 250 | — | 279 | — | — | 335 | 121 | 180 | 20 | — | | |
| 50 | 60 | — | — | — | 200LA | 318 | 80 | 400 | 420 | 342 | 279 | — | 305 | — | — | 365 | 133 | 200 | 25 | — | | |
| — | 50 | 60 | 40 | 50 | 25 | 30 | 200LC | 318 | 80 | 400 | 420 | 342 | 279 | — | 305 | — | 365 | 133 | 200 | 25 | — | |
| 75 | — | — | — | — | 225SA | 356 | 90 | 450 | 458 | 386 | 312 | — | 286 | — | — | 350 | 149 | 225 | 30 | — | | |
| — | 75 | 60 | 40 | — | 225SC | 356 | 90 | 450 | 458 | 386 | 312 | — | 286 | — | — | 350 | 149 | 225 | 30 | — | | |
| 100 | — | — | — | — | A250SA | 406 | 100 | 500 | 510 | 479 | 364 | — | 311 | — | 19 | 425 | 168 | 250 | 36 | — | | |
| — | 100 | 75 | 50 | — | A250SC | 406 | 100 | 500 | 510 | 479 | 364 | — | 311 | — | 19 | 425 | 168 | 250 | 36 | — | | |
| 125 | — | — | — | — | A250MA | 406 | 100 | 500 | 510 | 479 | 364 | — | 349 | — | 28.5 | 480 | 168 | 250 | 36 | — | | |
| — | 125 | 100 | 60 | — | A250MC | 406 | 100 | 500 | 510 | 479 | 364 | — | 349 | — | 28.5 | 480 | 168 | 250 | 36 | — | | |
| 150 | — | — | — | — | 280S | 5 | 457 | 110 | 560 | 625 | 610 | 455 | 305 | 368 | 110 | — | 445 | 190 | 280 | 36 | — | |
| — | 150 | 125 | 75 | — | 280S | 6 | 457 | 110 | 560 | 625 | 610 | 455 | 305 | 368 | 110 | — | 445 | 190 | 280 | 36 | — | |
| 175 | — | — | — | — | 280M | 5 | 457 | 110 | 560 | 625 | 610 | 455 | 305 | 419 | 130 | — | 495 | 190 | 280 | 36 | — | |
| — | 175 | 150 | 100 | — | 280M | 6 | 457 | 110 | 560 | 625 | 610 | 455 | 305 | 419 | 130 | — | 495 | 190 | 280 | 36 | — | |
| 200 | 215 | — | — | — | 315S | 5 | 508 | 115 | 615 | 625 | 610 | 455 | 305 | 406 | 115 | — | 490 | 216 | 315 | 40 | — | |
| — | 200 | 215 | 175 | 125 | 315S | 6 | 508 | 115 | 615 | 625 | 610 | 455 | 305 | 406 | 115 | — | 490 | 216 | 315 | 40 | — | |
| 250 | 270 | — | — | — | 315M | 5 | 508 | 115 | 615 | 625 | 610 | 455 | 305 | 457 | 115 | — | 540 | 216 | 315 | 40 | — | |
| — | 250 | 270 | 200 | 215 | 150 | 315M | 6 | 508 | 115 | 615 | 625 | 610 | 455 | 305 | 457 | 115 | — | 540 | 216 | 315 | 40 | — |

註：1.軸心直徑 D公差：φ11-φ28：j6, φ38-φ48：k6, φ55-φ95：m6 2.軸心高度 H公差：(框號250以下+0, -0.5)(框號280以上+0, -1) 3.★採用預注油

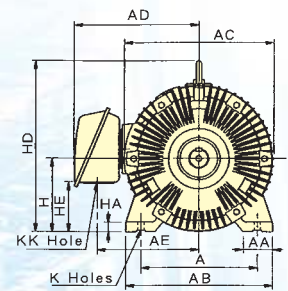
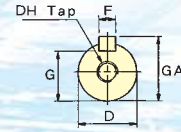
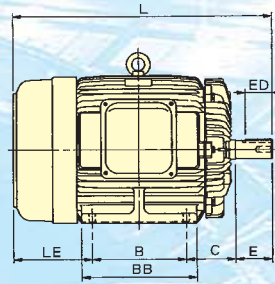
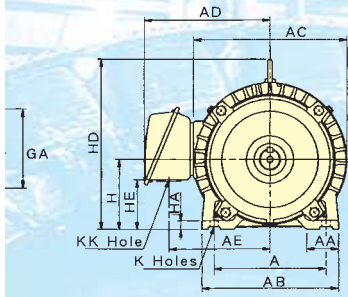


圖 3

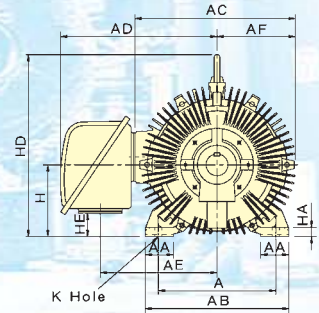
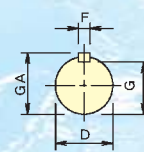
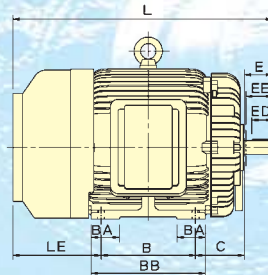
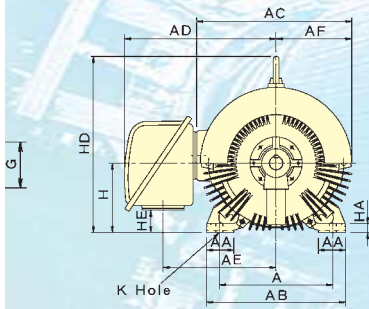


圖 6

單位：mm

| HD | HE | K | KK | L | LE | 軸 端 | | | | | | 軸 承 | | 概略重量 kg | | | | |
|-----|-----|------|----|-------|-------|-----|-----|-----|-----|----|------|------|--------|------------|-----------|------|------|------|
| | | | | | | D | E | ED | EE | F | G | GA | DH | | | | 負載側 | 反負載側 |
| — | 29 | 7 | 22 | 219 | 76 | 11 | 23 | 18 | — | 4 | 8.5 | 12.5 | M4×8 | *6201zz | *6201zz | 8.5 | | |
| — | 54 | 7 | 22 | 250.5 | 85.5 | 14 | 30 | 24 | — | 5 | 11 | 16 | M5×10 | *6202zz | *6202zz | 12 | | |
| — | 55 | 10 | 22 | 282.5 | 92.5 | 19 | 40 | 25 | — | 6 | 15.5 | 21.5 | M6×12 | *6204zz | *6204zz | 14 | | |
| — | 65 | 10 | 22 | 332.5 | 101.5 | 24 | 50 | 32 | — | 8 | 20 | 27 | M8×16 | *6205zz | *6205zz | 24.5 | | |
| 243 | 71 | 12 | 28 | 374.5 | 111.5 | 28 | 60 | 40 | — | 8 | 24 | 31 | M10×20 | *6206zz | *6305zz | 31 | | |
| 265 | 83 | 12 | 28 | 391.5 | 121.5 | 28 | 60 | 40 | — | 8 | 24 | 31 | M10×20 | *6306zz | *6306zz | 42 | | |
| 310 | 83 | 12 | 35 | 454 | 145 | 38 | 80 | 64 | — | 10 | 33 | 41 | M12×24 | *6308zz | *6306zz | 67 | | |
| 310 | 83 | 12 | 35 | 492 | 145 | 38 | 80 | 64 | — | 10 | 33 | 41 | M12×24 | *6308zz | *6306zz | 78 | | |
| 377 | 108 | 14.5 | 35 | 608 | 180 | 42 | 110 | 80 | — | 12 | 37 | 45 | M16×32 | *6309zz | *6307zz | 122 | | |
| 377 | 108 | 14.5 | 35 | 652 | 180 | 42 | 110 | 80 | — | 12 | 37 | 45 | M16×32 | *6309zz | *6307zz | 144 | | |
| 431 | 118 | 14.5 | 52 | 672 | 200 | 48 | 110 | 80 | — | 14 | 42.5 | 51.5 | M16×32 | *6311zzC3 | *6310zzC3 | 185 | | |
| 431 | 118 | 14.5 | 52 | 672 | 200 | 48 | 110 | 80 | — | 14 | 42.5 | 51.5 | M16×32 | *6311zz | *6310zz | 182 | | |
| 431 | 118 | 14.5 | 52 | 710 | 200 | 55 | 110 | 80 | — | 16 | 49 | 59 | M20×40 | *6312zzC3 | *6310zzC3 | 213 | | |
| 431 | 118 | 14.5 | 52 | 710 | 200 | 55 | 110 | 80 | — | 16 | 49 | 59 | M20×40 | *6312zz | *6310zz | 215 | | |
| 469 | 128 | 18.5 | 65 | 770 | 222 | 55 | 110 | 80 | — | 16 | 49 | 59 | M20×40 | *6312zzC3 | *6212zzC3 | 282 | | |
| 469 | 128 | 18.5 | 65 | 800 | 222 | 60 | 140 | 110 | — | 18 | 53 | 64 | M20×40 | *6314zzC3 | *6212zzC3 | 315 | | |
| 524 | 153 | 18.5 | 92 | 786 | 241 | 55 | 110 | 80 | — | 16 | 49 | 59 | M20×40 | *6312zzC3 | *6212zzC3 | 345 | | |
| 524 | 153 | 18.5 | 92 | 816 | 241 | 65 | 140 | 110 | — | 18 | 58 | 69 | M20×40 | *6315zz | *6213zz | 373 | | |
| 595 | 139 | 24 | 92 | 890.5 | 301.5 | 55 | 110 | 80 | — | 16 | 49 | 59 | M20×40 | 6313C3 | 6313C3 | 502 | | |
| 595 | 139 | 24 | 92 | 920.5 | 301.5 | 75 | 140 | 110 | — | 20 | 67.5 | 79.5 | M20×40 | NU316 | 6313 | 515 | | |
| 595 | 139 | 24 | 92 | 947.5 | 320.5 | 55 | 110 | 80 | — | 16 | 49 | 59 | M20×40 | 6313C3 | 6313C3 | 508 | | |
| 595 | 139 | 24 | 92 | 977.5 | 320.5 | 75 | 140 | 110 | — | 20 | 67.5 | 79.5 | M20×40 | NU316 | 6313 | 520 | | |
| 710 | 91 | 24 | — | 1012 | 344 | 55 | 110 | 80 | 104 | 16 | 49 | 59 | — | 6314C3 | 6314C3 | 700 | | |
| 710 | 91 | 24 | — | 1072 | 344 | 85 | 170 | 140 | 157 | 22 | 76 | 90 | — | NU320C3 | 6316 | 720 | 720 | 780 |
| 710 | 91 | 24 | — | 1062 | 343 | 55 | 110 | 80 | 104 | 16 | 49 | 59 | — | 6314C3 | 6314C3 | 750 | | |
| 710 | 91 | 24 | — | 1122 | 343 | 85 | 170 | 140 | 157 | 22 | 76 | 90 | — | NU320C3 | 6316 | 830 | 830 | 860 |
| 743 | 126 | 28 | — | 1101 | 369 | 55 | 110 | 80 | 104 | 16 | 49 | 59 | — | 6314C3 | 6314C3 | 900 | | |
| 743 | 126 | 28 | — | 1161 | 369 | 95 | 170 | 140 | 157 | 25 | 86 | 100 | — | NU320C3 | 6316 | 950 | 950 | 920 |
| 743 | 126 | 28 | — | 1152 | 369 | 55 | 110 | 80 | 104 | 16 | 49 | 59 | — | 6314C3 | 6314C3 | 1020 | | |
| 743 | 126 | 28 | — | 1212 | 369 | 95 | 170 | 140 | 157 | 25 | 86 | 100 | — | NU320C3 | 6316 | 1040 | 1050 | 1020 |

脂軸承。 4. 框號250(含)以下頻率50Hz與50/60Hz符合CE安全規範。 5. 以上數值如有變更，恕不另行通知。

AEVF系列 外型尺寸圖

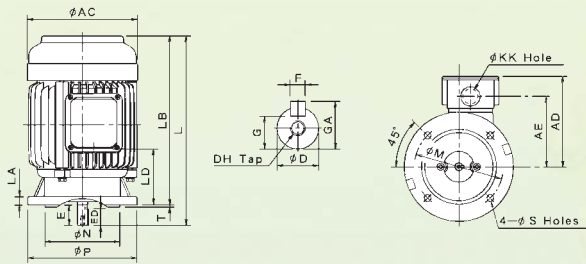


圖 1

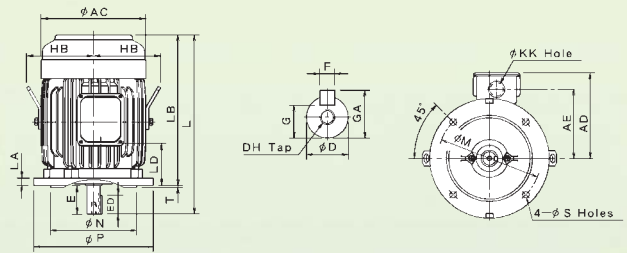


圖 2

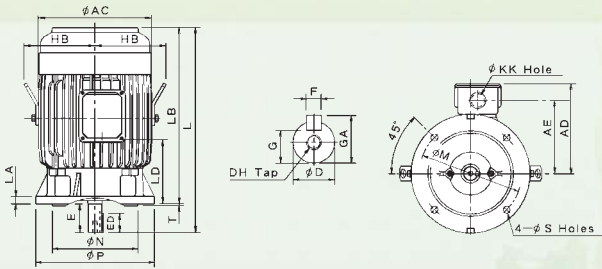


圖 3

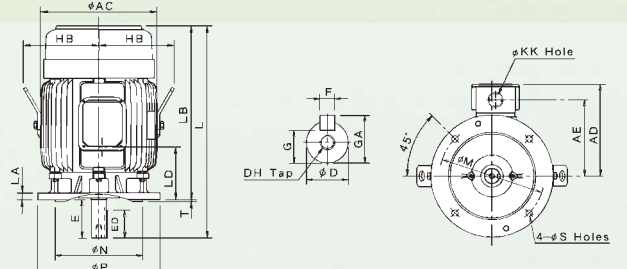


圖 4

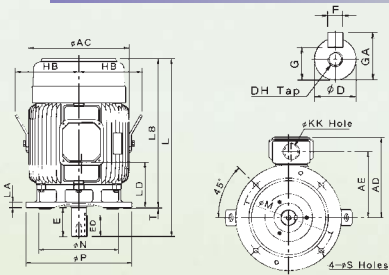


圖 5

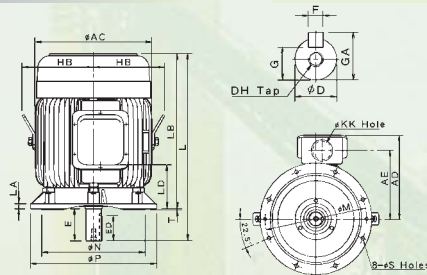


圖 6

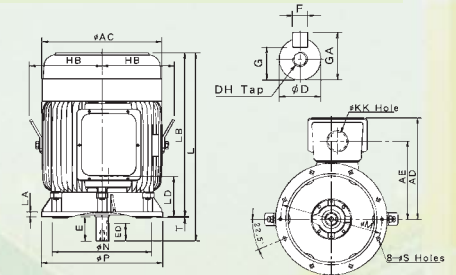


圖 7

單位：mm

| 輸出馬力(HP) | | | | | 圖號 | AC | AD | AE | HB | KK | L | LA | LB | LD | M | N | P | S | T | 軸端 | | | | | | | | |
|----------|-----|-----|-----|--------|----|-----|-----|-------|-----|-----|-------|-----|-------|-------|-----|-----|-------|------|-----|-----|------|-----|----|------|------|----------|----|----|
| 2P | 4P | 6P | 8P | 框號 | | | | | | | | | | | | | | | | D | E | ED | F | G | GA | DH | | |
| 1/4 | 1/4 | — | — | 63 | 1 | 144 | 123 | 93 | — | 22 | 248 | 12 | 225 | 74 | 130 | 110 | 160 | 10 | 3.5 | 11 | 23 | 18 | 4 | 8.5 | 12.5 | M 4 × 8 | | |
| 1/2 | 1/2 | 1/4 | — | 71 | | 162 | 133 | 103 | — | 22 | 277.5 | 12 | 247.5 | 82 | 130 | 110 | 160 | 10 | 3.5 | 14 | 30 | 24 | 5 | 11 | 16 | M 5 × 10 | | |
| 1 | 1 | 1/2 | 1/4 | 80 | 2 | 177 | 144 | 112 | — | 22 | 282 | 12 | 242 | 60 | 165 | 130 | 200 | 12 | 3.5 | 19 | 40 | 25 | 6 | 15.5 | 21.5 | M 6 × 12 | | |
| 2 | 3 | 2 | 1 | 90L | | 200 | 157 | 125 | — | 22 | 371.5 | 12 | 321.5 | 113 | 165 | 130 | 200 | 12 | 3.5 | 24 | 50 | 32 | 8 | 20 | 27 | M 8 × 16 | | |
| — | 3 | 2 | 1 | 100L | 2 | 219 | 180 | 145 | 140 | 28 | 374.5 | 16 | 314.5 | 88 | 215 | 180 | 250 | 14.5 | 4 | 28 | 60 | 40 | 8 | 24 | 31 | M10 × 20 | | |
| 5 | 5 | 3 | 2 | 112M | | 238 | 189 | 154 | 150 | 28 | 431 | 16 | 371 | 135 | 215 | 180 | 250 | 14.5 | 4 | 28 | 60 | 40 | 8 | 24 | 31 | M10 × 20 | | |
| 7.5 | 10 | 7.5 | 5 | 132S | 2 | 273 | 224 | 180 | 169 | 35 | 454 | 20 | 374 | 97 | 265 | 230 | 300 | 14.5 | 4 | 38 | 80 | 64 | 10 | 33 | 41 | M12 × 24 | | |
| — | 10 | 7.5 | 5 | 132M | | 273 | 224 | 180 | 169 | 35 | 492 | 20 | 412 | 116 | 265 | 230 | 300 | 14.5 | 4 | 38 | 80 | 64 | 10 | 33 | 41 | M12 × 24 | | |
| 15 | 20 | 15 | 10 | 160M | 4 | 334 | 263 | 218 | 217 | 35 | 608 | 20 | 498 | 151 | 300 | 250 | 350 | 18.5 | 5 | 42 | 110 | 80 | 12 | 37 | 45 | M16 × 32 | | |
| 25 | 20 | 15 | 10 | 160L | | 334 | 263 | 218 | 217 | 35 | 652 | 20 | 542 | 173 | 300 | 250 | 350 | 18.5 | 5 | 42 | 110 | 80 | 12 | 37 | 45 | M16 × 32 | | |
| 30 | — | — | — | 180MA | 5 | 382 | 305 | 250 | 241 | 52 | 672 | 20 | 562 | 170.5 | 350 | 300 | 400 | 18.5 | 5 | 48 | 110 | 80 | 14 | 42.5 | 51.5 | M16 × 32 | | |
| — | 25 | 30 | 20 | 180MC | | 382 | 305 | 250 | 241 | 52 | 672 | 20 | 562 | 170.5 | 350 | 300 | 400 | 18.5 | 5 | 48 | 110 | 80 | 14 | 42.5 | 51.5 | M16 × 32 | | |
| 40 | — | — | — | 180LA | 5 | 382 | 305 | 250 | 241 | 52 | 710 | 20 | 600 | 189.5 | 350 | 300 | 400 | 18.5 | 5 | 55 | 110 | 80 | 16 | 49 | 59 | M20 × 40 | | |
| — | 40 | 25 | 30 | 180LC | | 382 | 305 | 250 | 241 | 52 | 710 | 20 | 600 | 189.5 | 350 | 300 | 400 | 18.5 | 5 | 55 | 110 | 80 | 16 | 49 | 59 | M20 × 40 | | |
| 50 | 60 | — | — | 200LA | 6 | 420 | 342 | 279 | 260 | 65 | 770 | 20 | 660 | 194.5 | 400 | 350 | 450 | 18.5 | 5 | 55 | 110 | 80 | 16 | 49 | 59 | M20 × 40 | | |
| — | 50 | 60 | 40 | 50 | | 25 | 30 | 200LC | 420 | 342 | 279 | 260 | 65 | 800 | 20 | 660 | 194.5 | 400 | 350 | 450 | 18.5 | 5 | 60 | 140 | 110 | 18 | 53 | 64 |
| 75 | — | — | — | 225SA | 6 | 458 | 386 | 312 | 286 | 92 | 786 | 22 | 676 | 190 | 500 | 450 | 550 | 18.5 | 5 | 55 | 110 | 80 | 16 | 49 | 59 | M20 × 40 | | |
| — | 75 | 60 | 40 | 225SC | | 458 | 386 | 312 | 286 | 92 | 816 | 22 | 676 | 190 | 500 | 450 | 550 | 18.5 | 5 | 65 | 140 | 110 | 18 | 58 | 69 | M20 × 40 | | |
| 100 | — | — | — | A250SA | 7 | 510 | 479 | 364 | 312 | 92 | 890.5 | 22 | 780.5 | 201.5 | 500 | 450 | 550 | 18.5 | 5 | 55 | 110 | 80 | 16 | 49 | 59 | M20 × 40 | | |
| — | 100 | 75 | 50 | A250SC | | 510 | 479 | 364 | 312 | 92 | 920.5 | 22 | 780.5 | 201.5 | 500 | 450 | 550 | 18.5 | 5 | 75 | 140 | 110 | 20 | 67.5 | 79.5 | M20 × 40 | | |
| 125 | — | — | — | A250MA | | 510 | 479 | 364 | 312 | 92 | 947.5 | 22 | 837.5 | 230 | 500 | 450 | 550 | 18.5 | 5 | 55 | 110 | 80 | 16 | 49 | 59 | M20 × 40 | | |
| — | 125 | 100 | 60 | A250MC | | 510 | 479 | 364 | 312 | 92 | 977.5 | 22 | 837.5 | 230 | 500 | 450 | 550 | 18.5 | 5 | 75 | 140 | 110 | 20 | 67.5 | 79.5 | M20 × 40 | | |

註：1. 軸心直徑 D公差：φ11-φ28：j6，φ38-φ48：k6，φ55-φ75：m6 2. 引導直徑 N 公差：h7。 3. 以上數值如有變更，恕不另行通知。

《 規範表 》

| 項 目 | | 標 準 規 範 | |
|-----------|--|---|---|
| 規 格 | 種 類 | 三相鼠籠式感應電動機 (SCIM) | |
| | 設 計 依 據 | 中國國家標準 (CNS) · 國際電工委員會 (IEC) · 日本工業規格協會 (JIS) | |
| | 電 壓 | 額定電壓 220V · 380V · 440V · 460V 或 雙電壓 | |
| | 頻 率 | 額定頻率 50Hz 或 60Hz (外銷專用) | |
| | 輸 出 馬 力 | 0.25HP ~ 270HP | |
| | 時 間 額 定 | 連續使用額定, 使用係數 S.F.: 1.0 | |
| | 框 號 | 63 ~ 315M | |
| | 保 護 方 式 | 全密閉外扇型 (IP54) | |
| | 冷 卻 方 式 | 全密 IC411 自帶外扇冷卻 | |
| 安 裝 方 式 | AEEF IM1001: 水平裝腳型, AEFV IM3011: 凸緣型安裝 | | |
| 適 用 | 電 源 | 電壓變動率: $\pm 10\%$ 以內 頻率變動率: $\pm 5\%$ 以內 綜合變動率: 以上兩點絕對值之和在 10% 以內, 但頻率變動在 $\pm 5\%$ 以內 | |
| | 使 用 環 境 | 場 所 | 一般屋內。 |
| | | 周 溫 | $-15^{\circ}\text{C} \sim 40^{\circ}\text{C}$ |
| | | 濕 度 | 相對溼度 90% 以下 (但不能凝結) |
| | 標 高 | 海拔 1000 公尺以下 | |
| 帶 動 方 式 | 皮帶輪帶動, 但 2 極 30HP 及以上, 使用聯軸器帶動 | | |
| 用 起 動 方 式 | 轉 向 | 雙轉向 | |
| | 起 動 方 式 | 全壓直接啟動或 $\Delta - \Delta$ 啟動 | |
| 結 構 | 軸 承 | 框號 250 以上為注油式, 雙面開放式滾珠或滾筒軸承。 其餘為預注油脂式, 雙遮蓋密閉式滾珠軸承。 | |
| | 出 線 盒 | 鋼板材質超大容量附電纜線進口孔, 並能作 90° 旋轉安裝。 由負載端視之位於框架左側, 標準品不附電纜頭。 | |
| | 出 口 線 | 出口線數最多 12 條, 附有接線端子。 | |
| | 定 子 絕 緣 | 框號: 63 ~ 112M E 級絕緣 框號: 132S ~ 180M B 級絕緣 框號: 180L ~ 315M F 級絕緣 | |
| 構 裝 紋 | 塗 裝 | 防鏽處理, 酚系樹脂底漆, 面漆顏色為藍灰色 Munsell 7.5B 3.5/0.5 | |
| | 螺 紋 | 國家標準組織 ISO-M 公制 | |
| 特 性 | 測 試 程 序 | 依據國際電工委員會 (IEC) 60034, 中國國家標準 (CNS) 10919 (C3192), 使用全壓啟動測試 | |
| | 溫 昇 | 定子繞組溫昇: 電阻法 E 級絕緣 75°C 以下 B 級絕緣 80°C 以下 F 級絕緣 100°C 以下 | |



風罩榮獲新型專利
保護方式 IP54

TECO 東元電機股份有限公司

重電營業處: 115 台北市南港區園區街 3-1 號 10 樓

TEL: (02) 6615-9111 FAX: (02) 6616-2503 <http://www.tecomotor.com.tw>

經銷商:

上海研騰机电科技有限公司

TEL: 021-34100001

FAX: 021-64193831

上海市闵行区七莘路 2855 弄 89 號 202 室