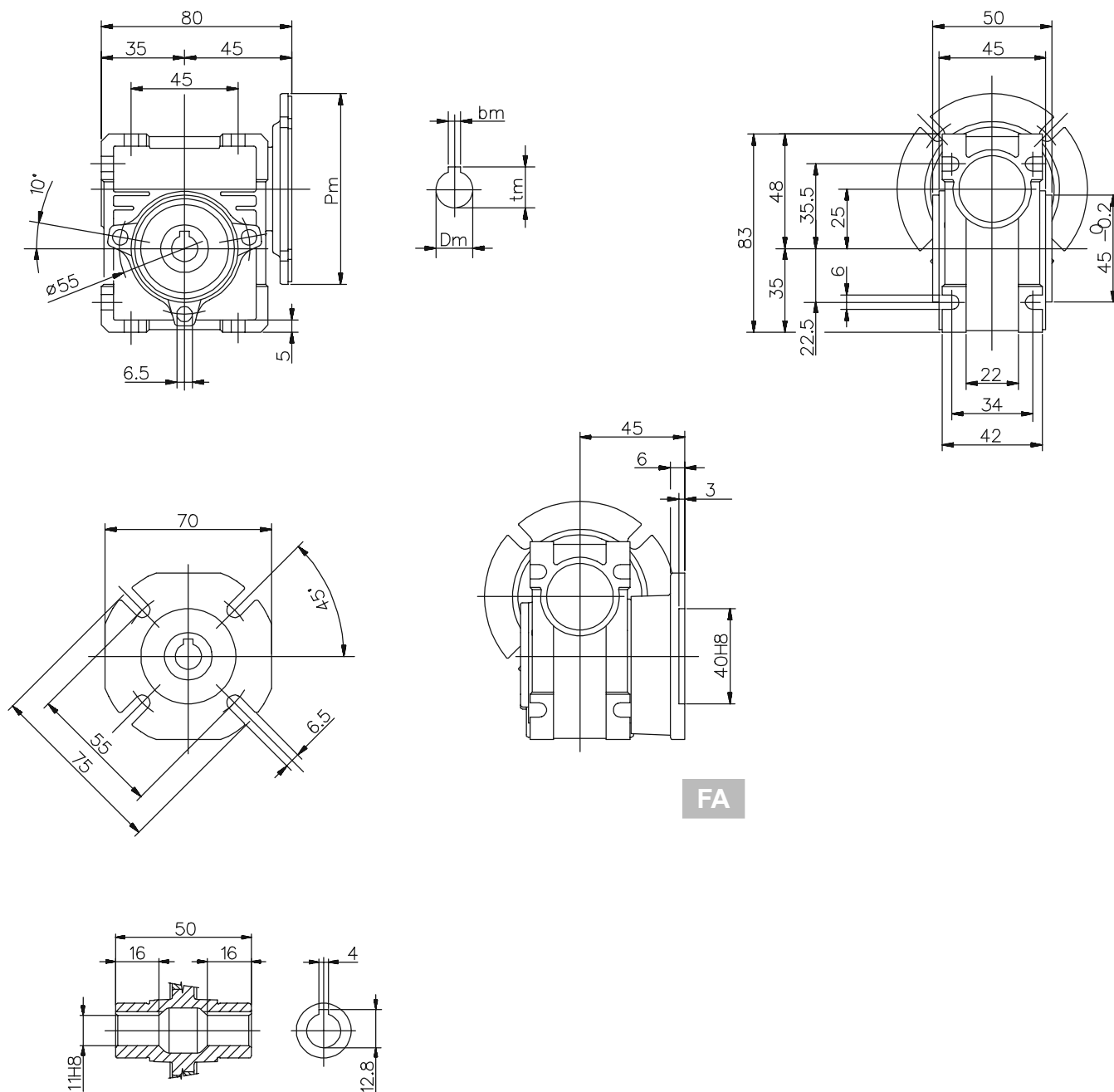


025

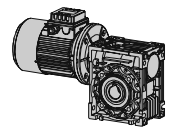
Dimensions / 尺寸



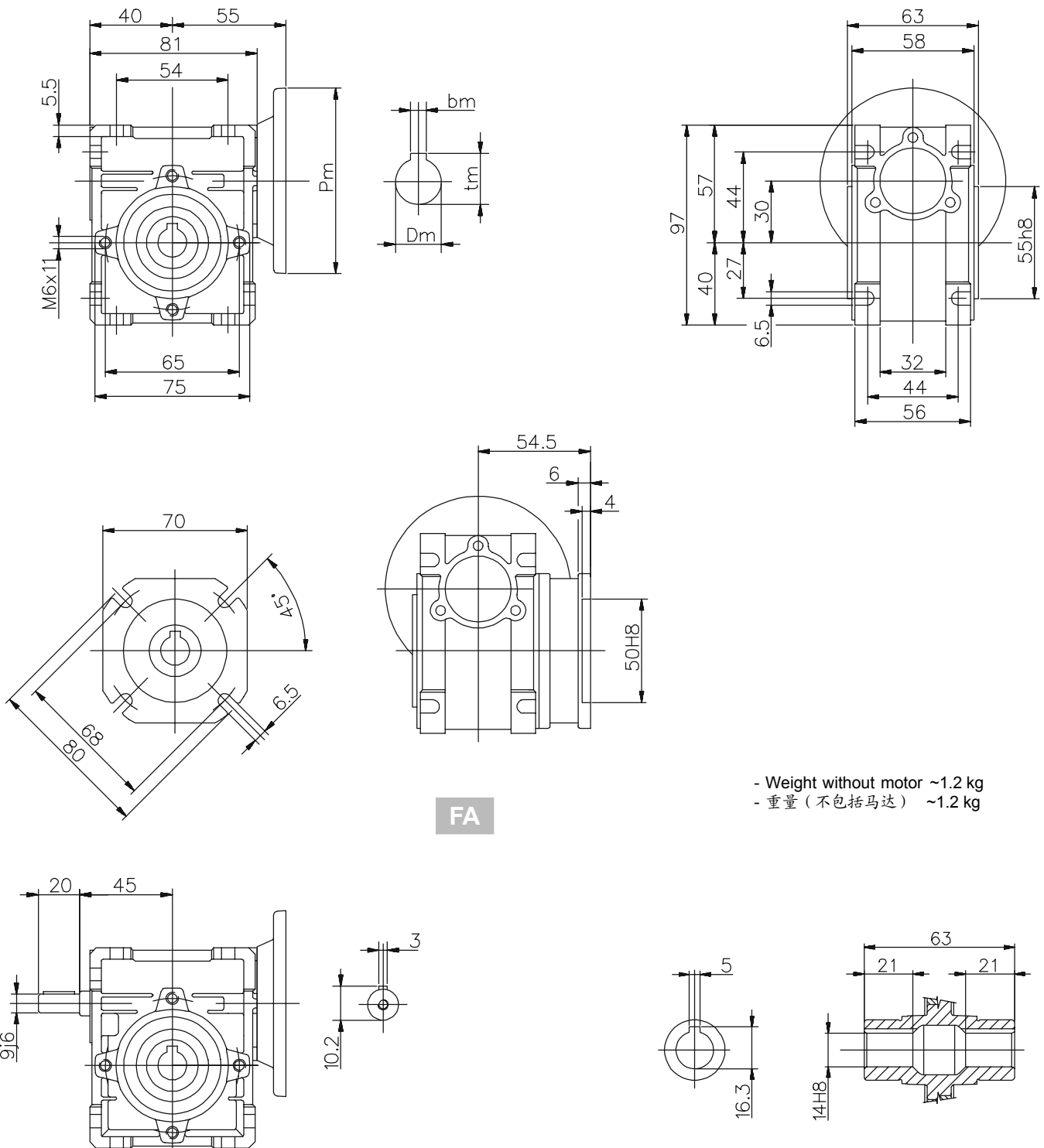
FA

- Weight without motor ~0.7 kg
- 重量 (不包括马达) ~0.7 kg

For the dimensions concerning the motor connection area (Pm, Dm, bm, tm) please refer to the table shown at page 303.  
有关马达法兰盘的尺寸 (PM, DM, BM, TM), 请参考第303页。



NMRV

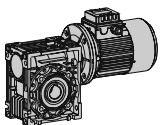


FA

- Weight without motor ~1.2 kg  
- 重量 (不包括马达) ~1.2 kg

VS

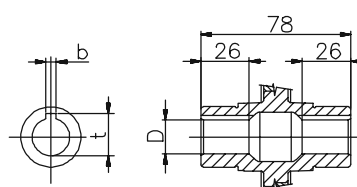
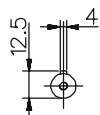
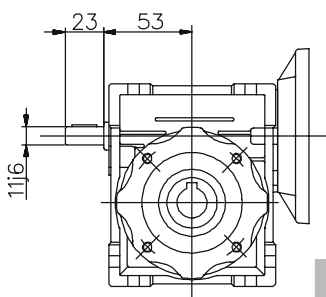
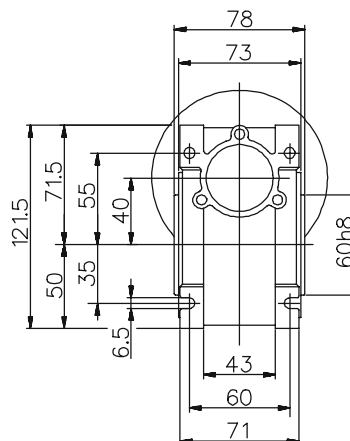
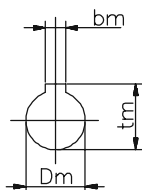
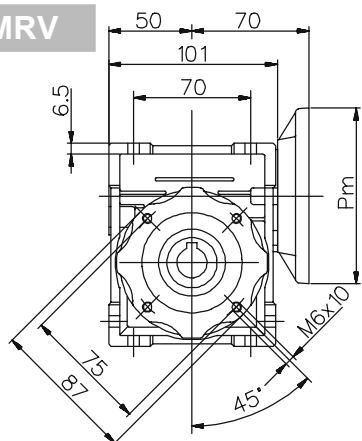
For the dimensions concerning the motor connection area (Pm, Dm, bm, tm) please refer to the table shown at page 303.  
有关马达法兰盘的尺寸 (PM, DM, BM, TM), 请参考第303页。



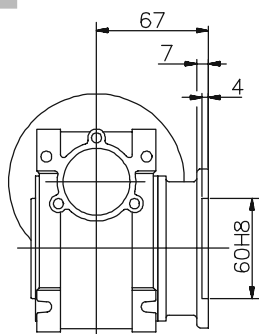
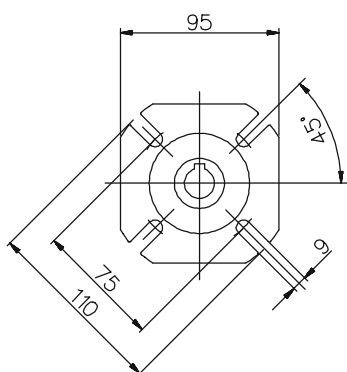
040

Dimensions / 尺寸

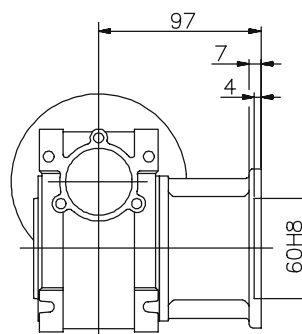
NMRV



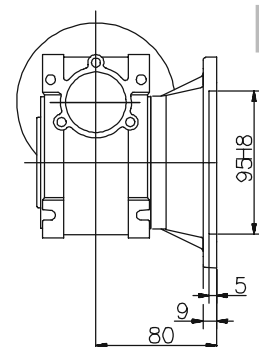
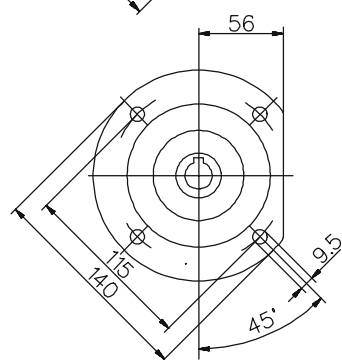
VS



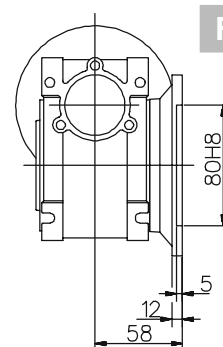
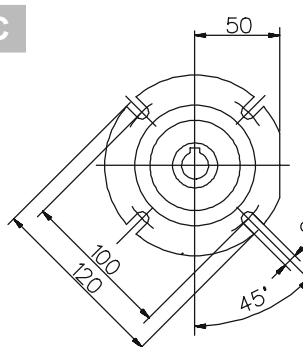
FA



FB



FC



FD

(..) Only on request

(..) 非标产品, 下单时须说明要求

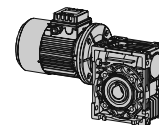
- Weight without motor ~2.3 kg

- 重量 (不包括马达) ~2.3 kg

Uscita / Output / Abtrieb / Sortie / Salida		
D H8	b	t
18	6	20,8
(19)	(6)	(21,8)

For the dimensions concerning the motor connection area (Pm, Dm, bm, tm) please refer to the table shown at page 303.

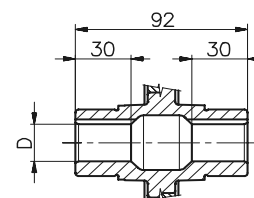
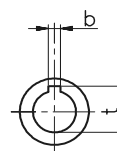
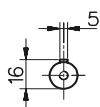
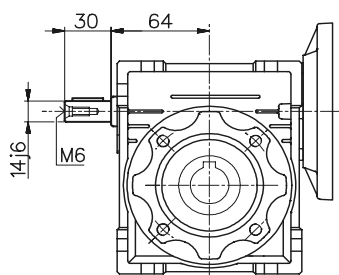
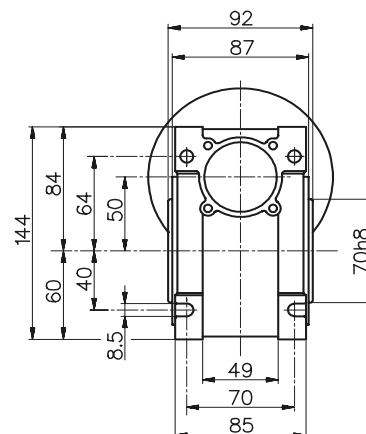
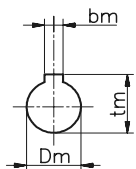
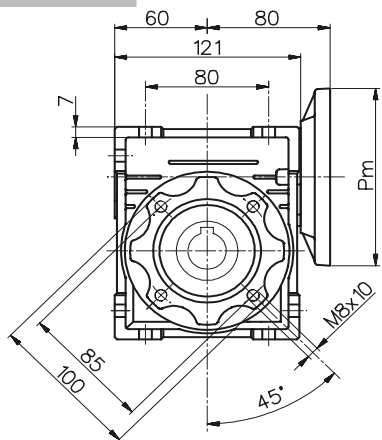
有关马达法兰盘的尺寸 (PM, DM, BM, TM), 请参考第303页。



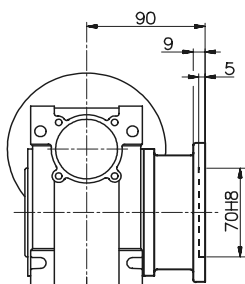
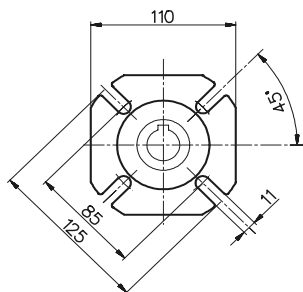
## Dimensions / 尺寸

050

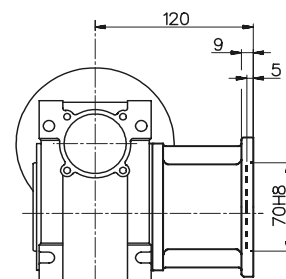
### NMRV



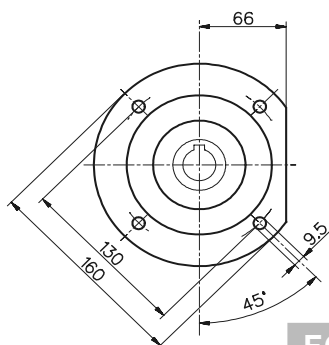
VS



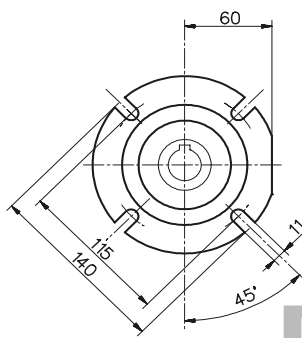
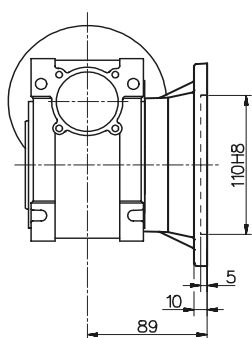
FA



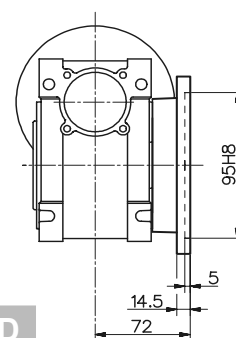
FB



FC



FD



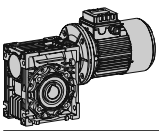
(..) Only on request  
(..) Auf Wunsch

- Weight without motor ~3.5 kg  
-重量 (不包括马达) ~3.5 kg

输出轴尺寸

Uscita / Output / Abtrieb / Sortie / Salida		
D H8	b	t
25	8	28,3
(24)	(8)	(27,3)

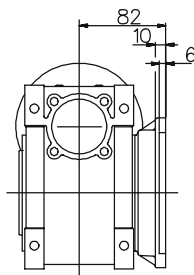
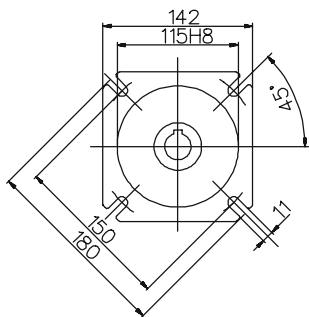
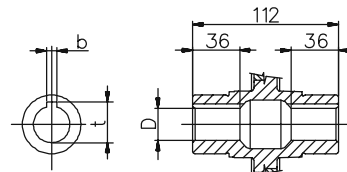
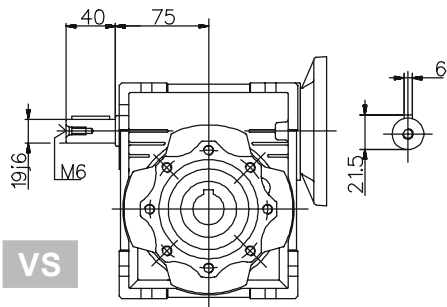
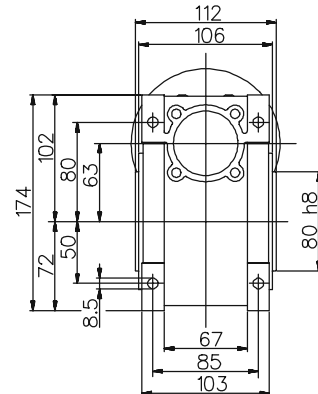
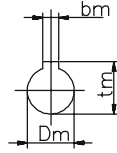
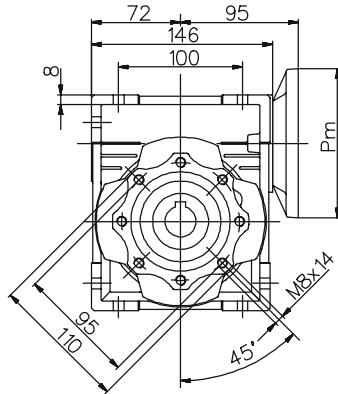
For the dimensions concerning the motor connection area (Pm, Dm, bm, tm) please refer to the table shown at page 303.  
有关马达法兰盘的尺寸 (PM, DM, BM, TM), 请参考第303页。



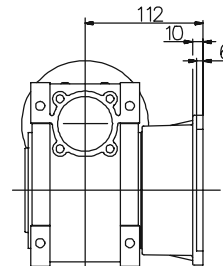
063

Dimensions / 尺寸

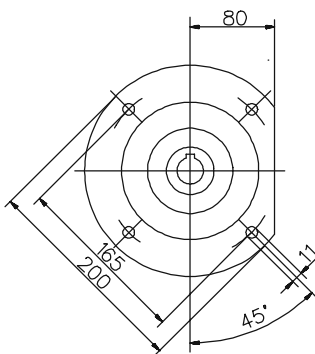
NMRV



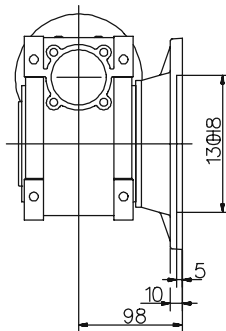
FA



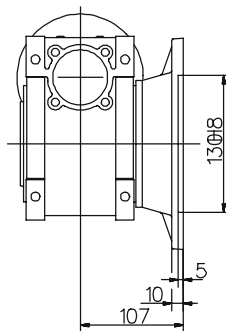
FB



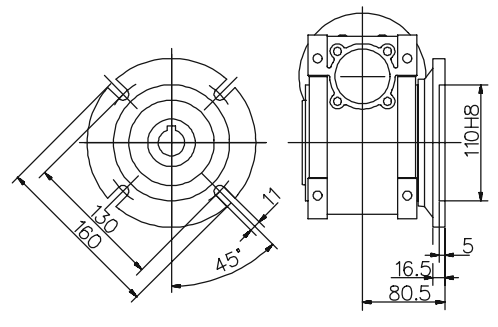
FC



FD



FE



Uscita / Output / Abtrieb / Sortie / Salida		
D H8	b	t
25	8	28,3
(28)	(8)	(31,3)

(..) Only on request

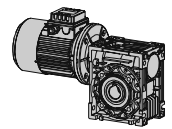
(..) 非标产品, 下单时须说明要求

- Weight without motor ~6.2 kg

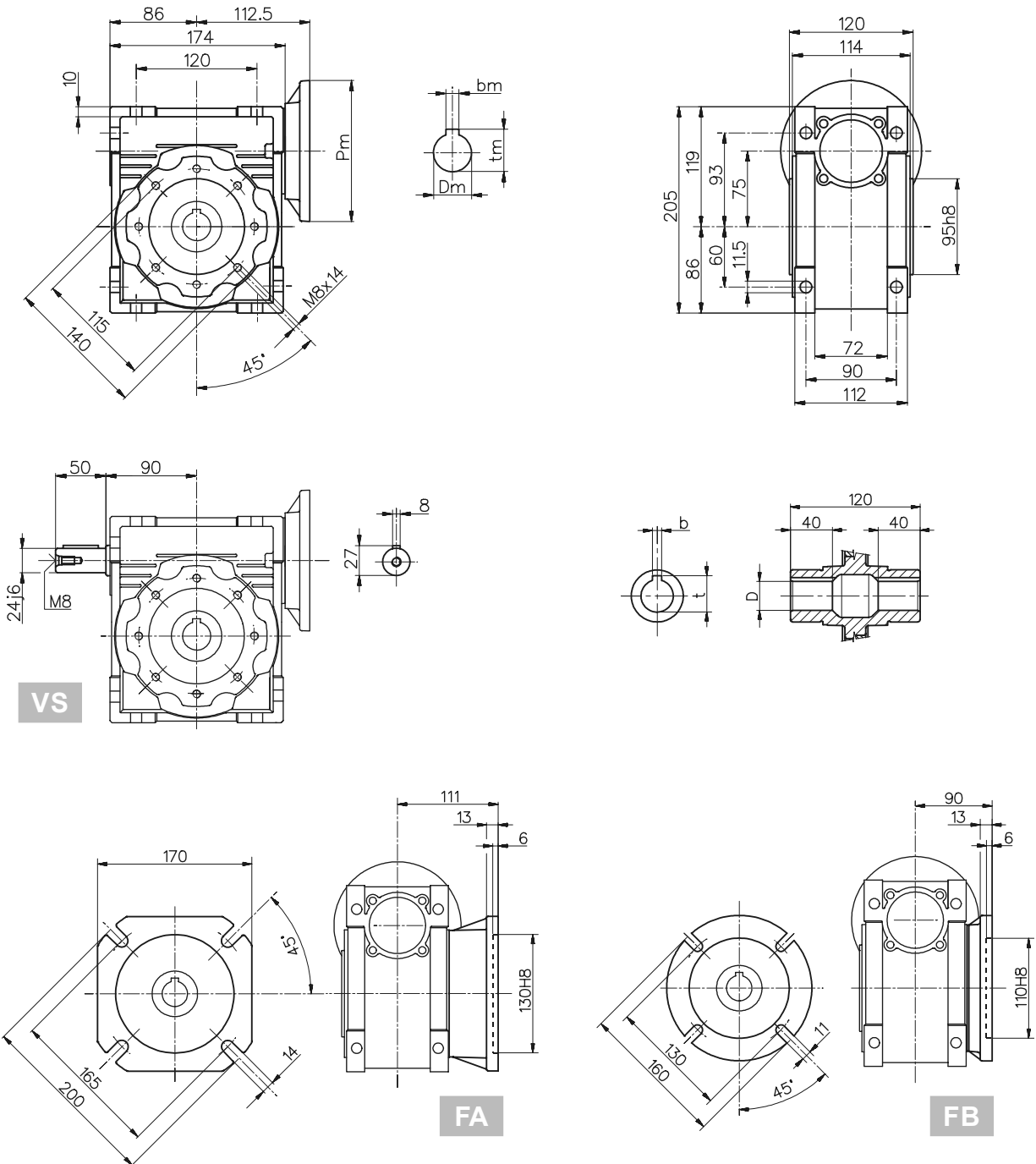
- 重量 (不包括马达) ~6.2 kg

For the dimensions concerning the motor connection area (Pm, Dm, bm, tm) please refer to the table shown at page 303.

Zu den Abmessungen des Motoranschluslansches (Pm, Dm, bm, tm) siehe Tabelle auf Seite 303.



NMRV



输出轴尺寸

Uscita / Output / Abtrieb / Sortie / Salida		
D H8	b	t
28	8	31,3
(35)	(10)	(38,3)

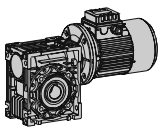
(..) Only on request

(..) 非标产品, 下单时须说明要求

- Weight without motor ~9 kg

- 重量 (不包括马达) ~9 kg

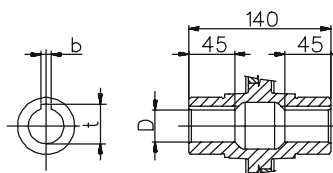
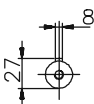
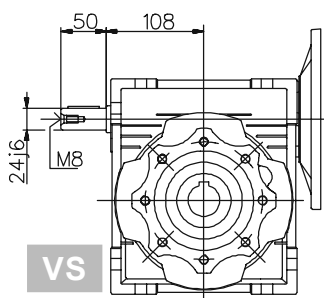
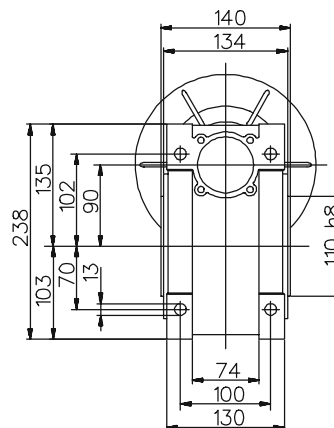
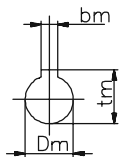
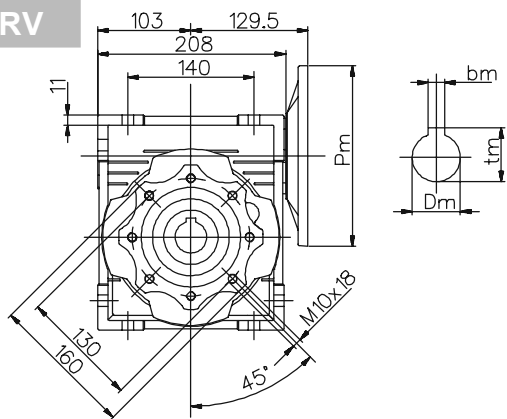
For the dimensions concerning the motor connection area (Pm, Dm, bm, tm) please refer to the table shown at page 303.  
有关马达法兰盘的尺寸 (PM, DM, BM, TM), 请参考第303页。



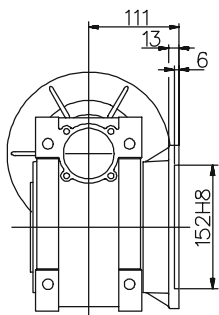
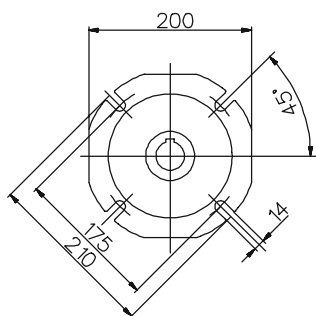
090

Dimensions / 尺寸

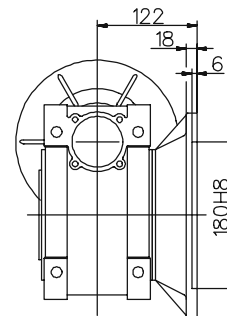
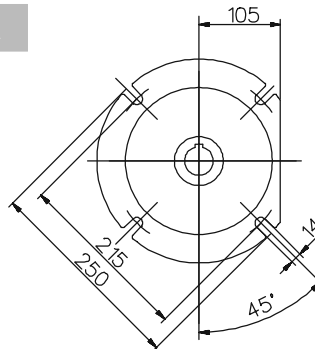
NMRV



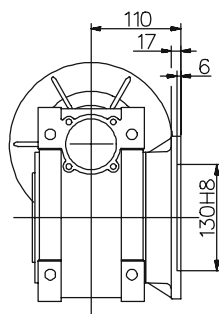
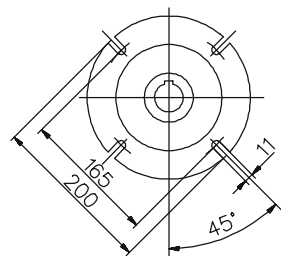
VS



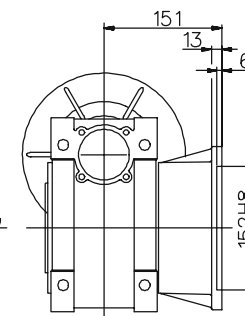
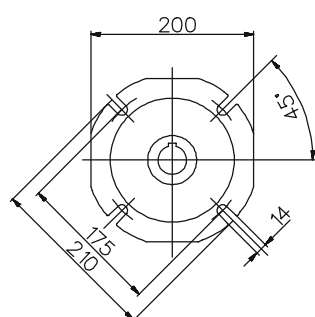
FA



FB



FC

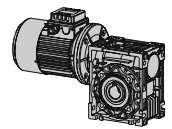


FD

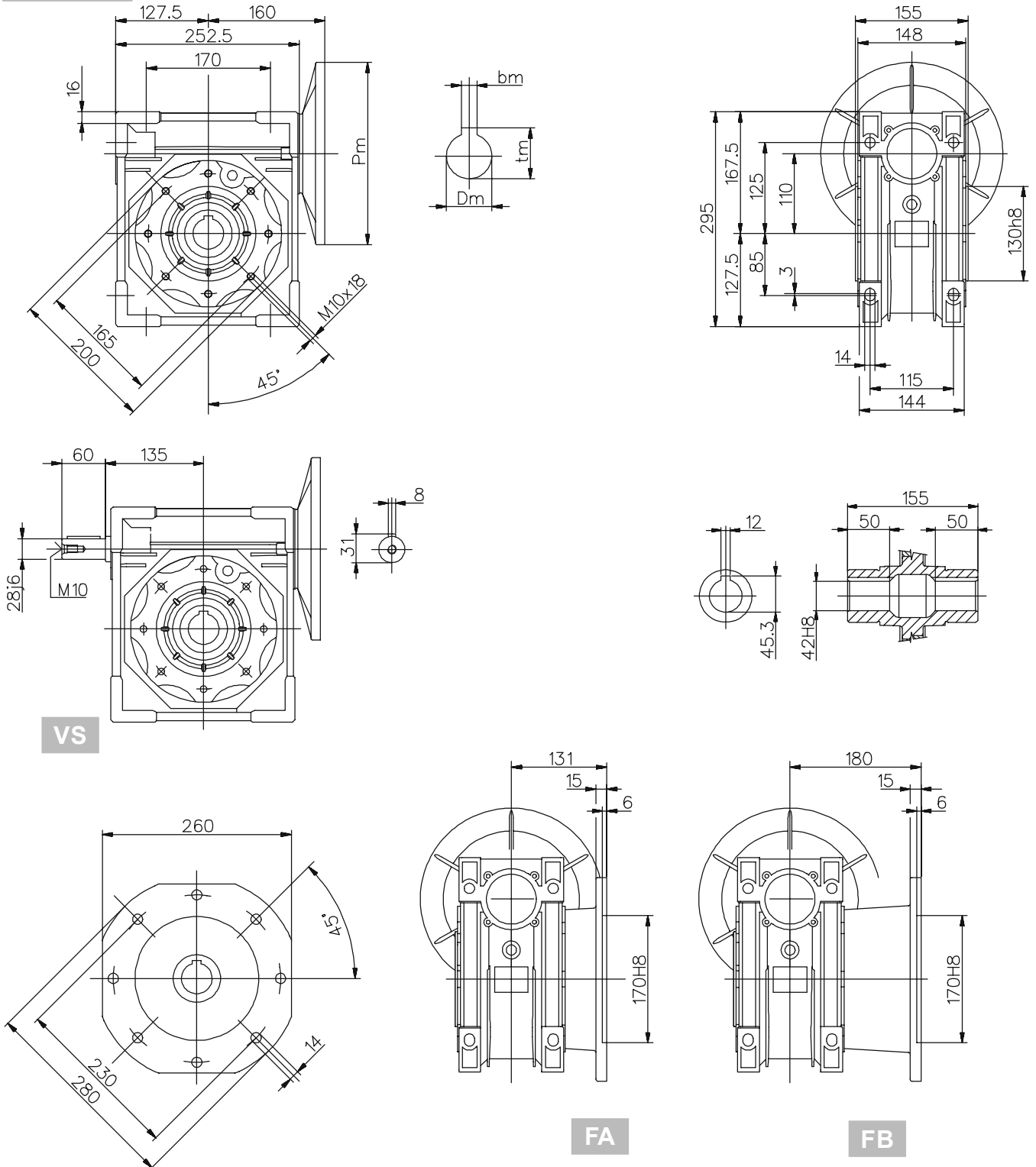
Uscita / Output / Abtrieb / Sortie / Salida		
D H8	b	t
35	10	38,3
(38)	(10)	(41,3)

(..) Only on request - Weight without motor ~13 kg  
 (..) 非标产品, 下单时须说明要求 - 重量 (不包括马达) ~13 kg

For the dimensions concerning the motor connection area (Pm, Dm, bm, tm) please refer to the table shown at page 303.  
 有关马达法兰盘的尺寸 (PM, DM, BM, TM), 请参考第303页。



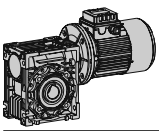
NMRV



- Weight without motor ~21 kg  
 - 重量 (不包括马达) ~21 kg

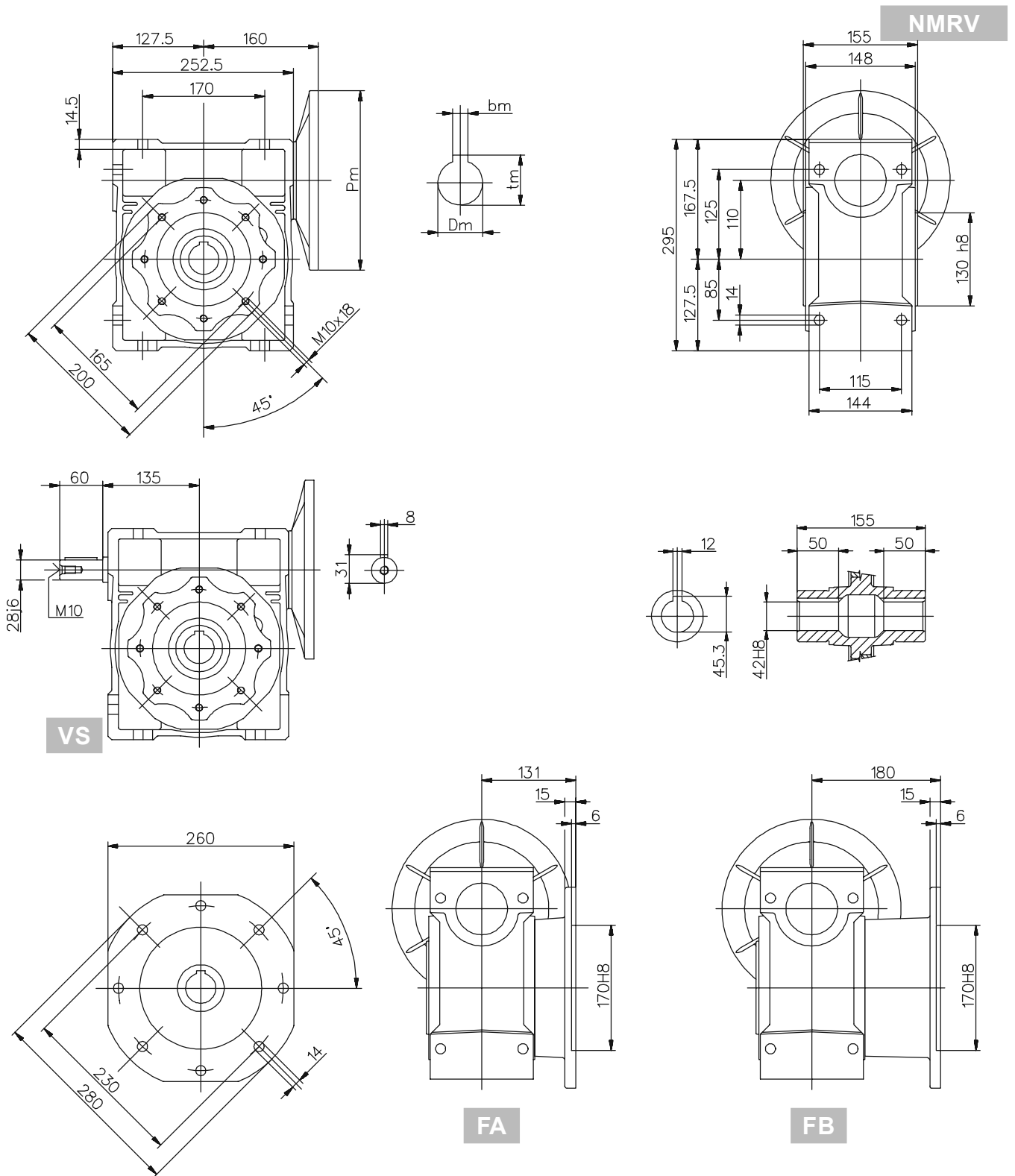
For the dimensions concerning the motor connection area (Pm, Dm, bm, tm) please refer to the table shown at page 303.  
 有关马达法兰盘的尺寸 (PM, DM, BM, TM), 请参考第303页。





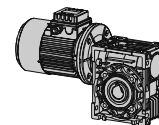
110

Dimensions / 尺寸



- Weight without motor ~35 kg  
 - 重量 (不包括马达) ~35 kg

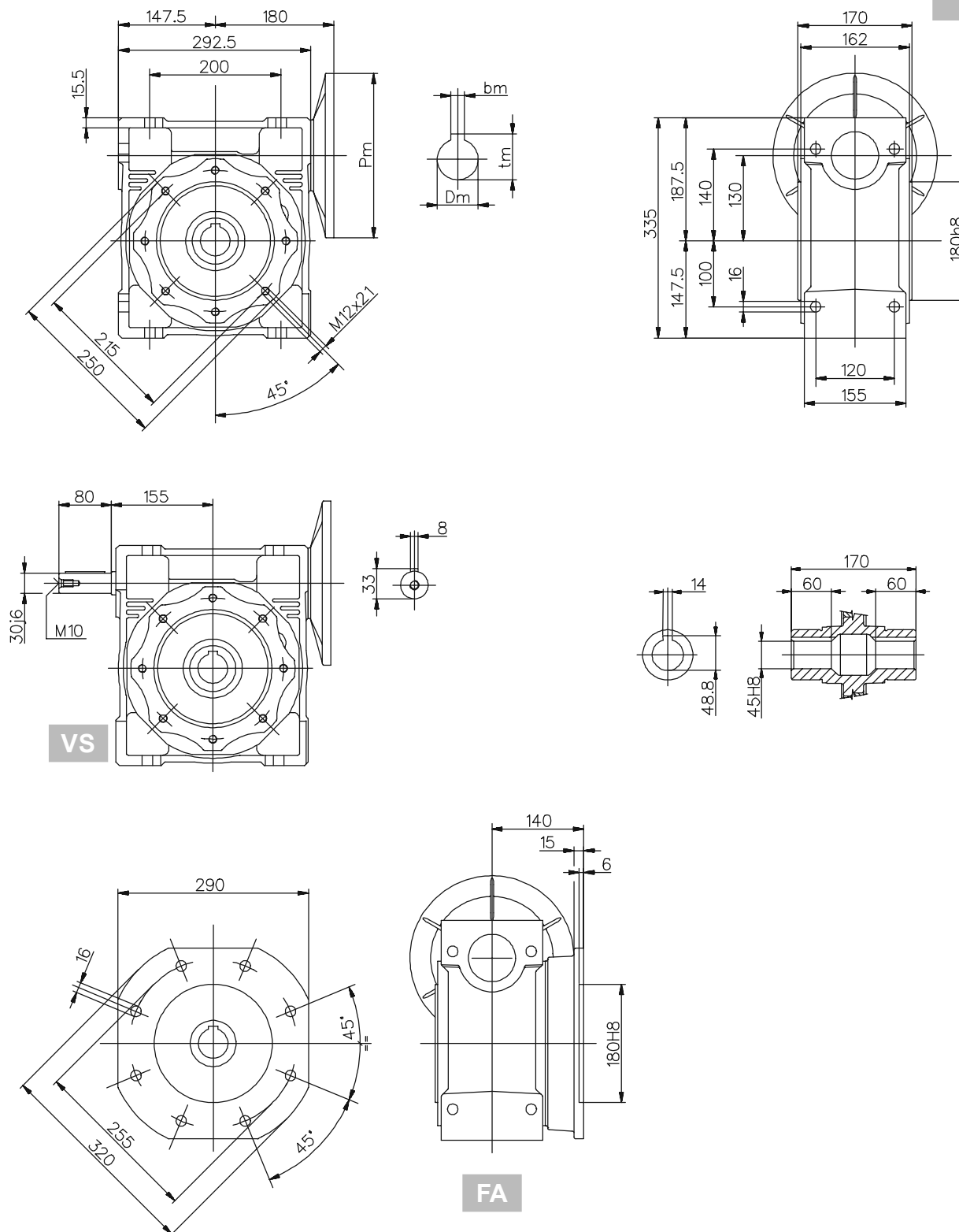
For the dimensions concerning the motor connection area (Pm, Dm, bm, tm) please refer to the table shown at page 303.  
 有关马达法兰盘的尺寸 (PM, DM, BM, TM), 请参考第303页。



Dimensions / 尺寸

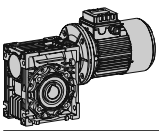
130

NMRV



- Weight without motor ~48 kg  
- 重量 (不包括马达) ~48 kg

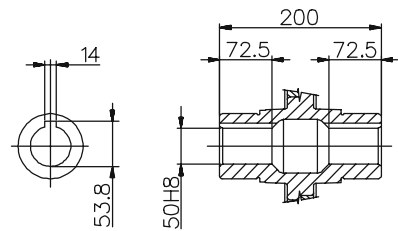
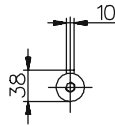
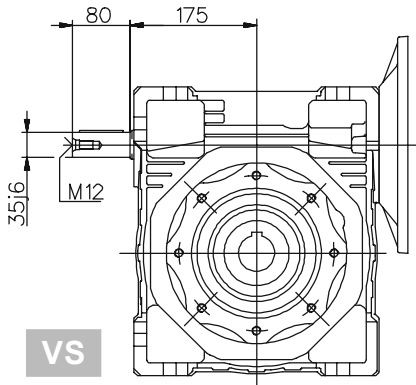
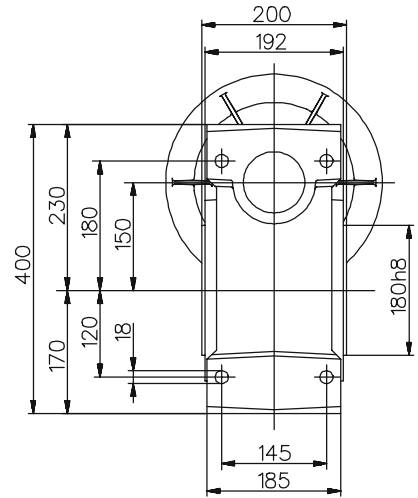
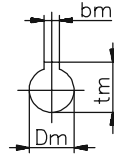
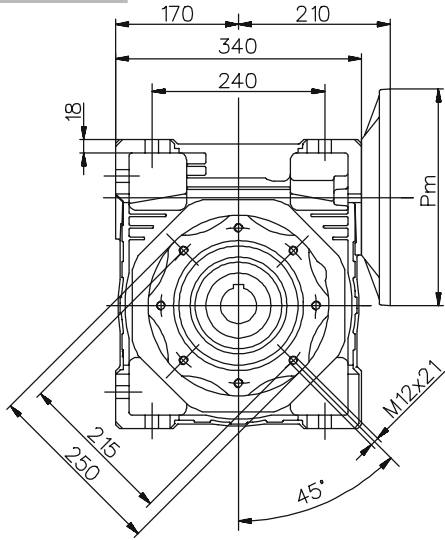
For the dimensions concerning the motor connection area (Pm, Dm, bm, tm) please refer to the table shown at page 303.  
有关马达法兰盘的尺寸 (PM, DM, BM, TM), 请参考第303页。



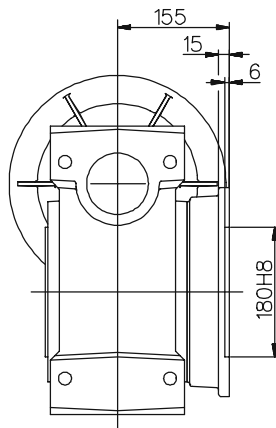
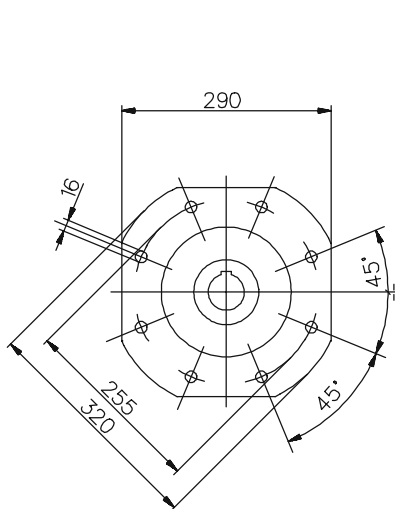
150

Dimensions / 尺寸

NMRV



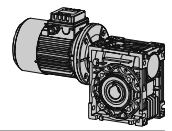
VS



FA

- Weight without motor ~84 kg
- 重量 (不包括马达) ~84 kg

For the dimensions concerning the motor connection area (Pm, Dm, bm, tm) please refer to the table shown at page 303.  
有关马达法兰盘的尺寸 (PM, DM, BM, TM), 请参考第303页。



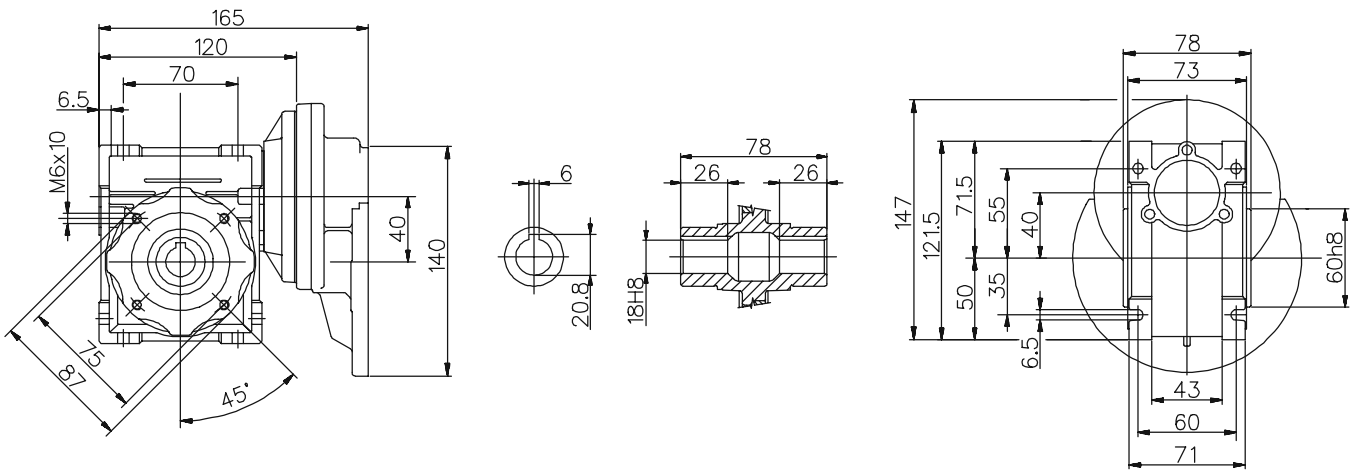
## PC + NMRV Dimensions / 尺寸

- For the dimensions of the output flanges, please consider the drawing of relevant NMRV size.  
- 关于输出法兰的尺寸，请参考NMRV有关图纸。
- For the dimensions of the hollow shafts in option, please consider the drawing of relevant NMRV size.  
所有空心轴输出的尺寸，请参考NMRV的相关图纸。
- For the dimensions of the double extension worm shafts, please consider the drawing of relevant NMRV size  
所有双出轴蜗杆的尺寸，请参考NMRV的相关图纸。

## Dimensions / 尺寸

**063-040**

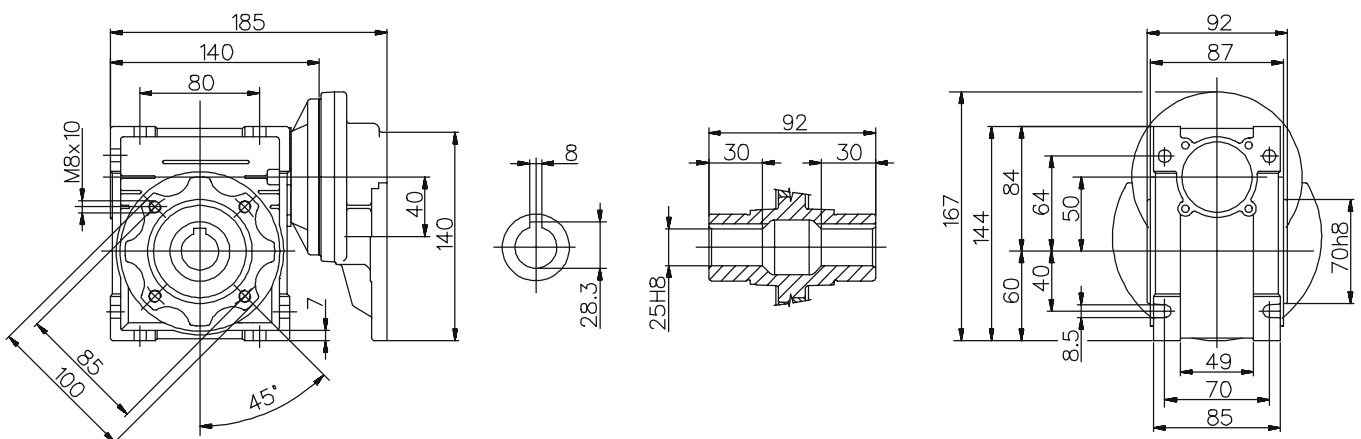
### PC 063 - NMRV 040

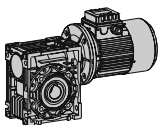


## Dimensions / 尺寸

**063-050**

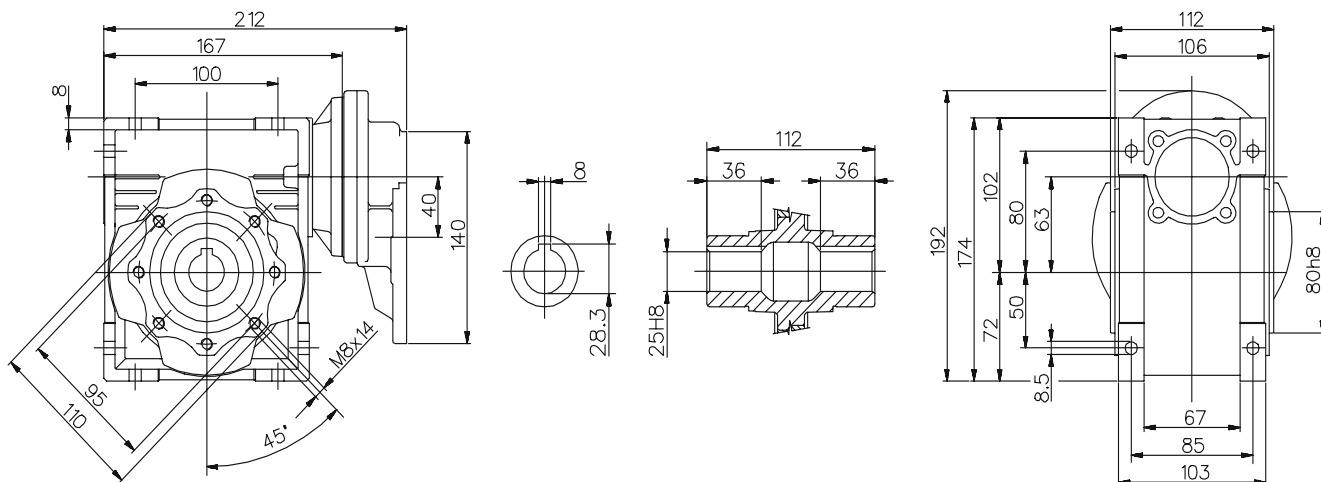
### PC 063 - NMRV 050





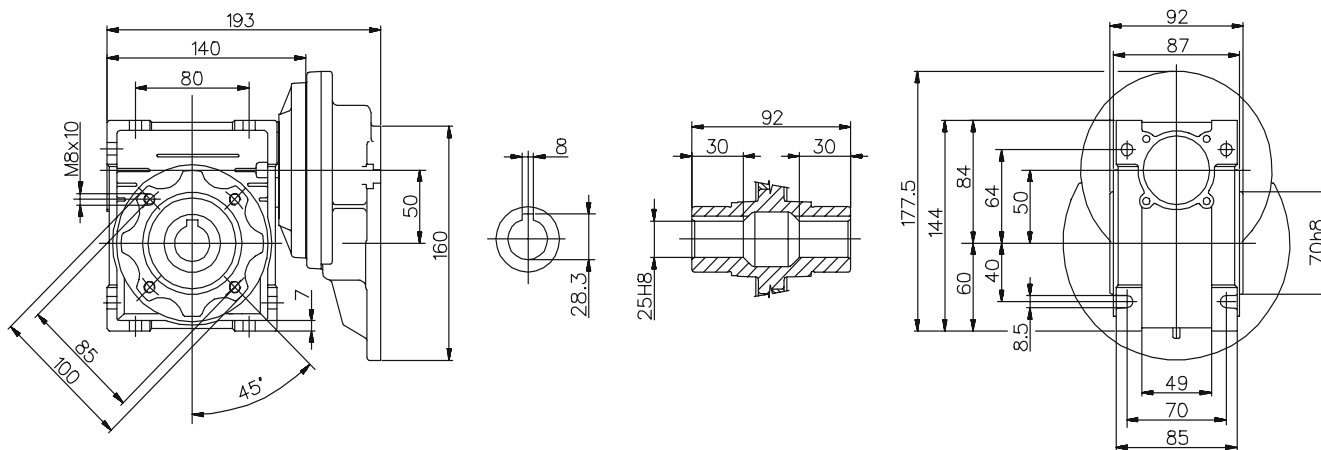
063-063 Dimensions / 尺寸

PC 063 - NMRV 063



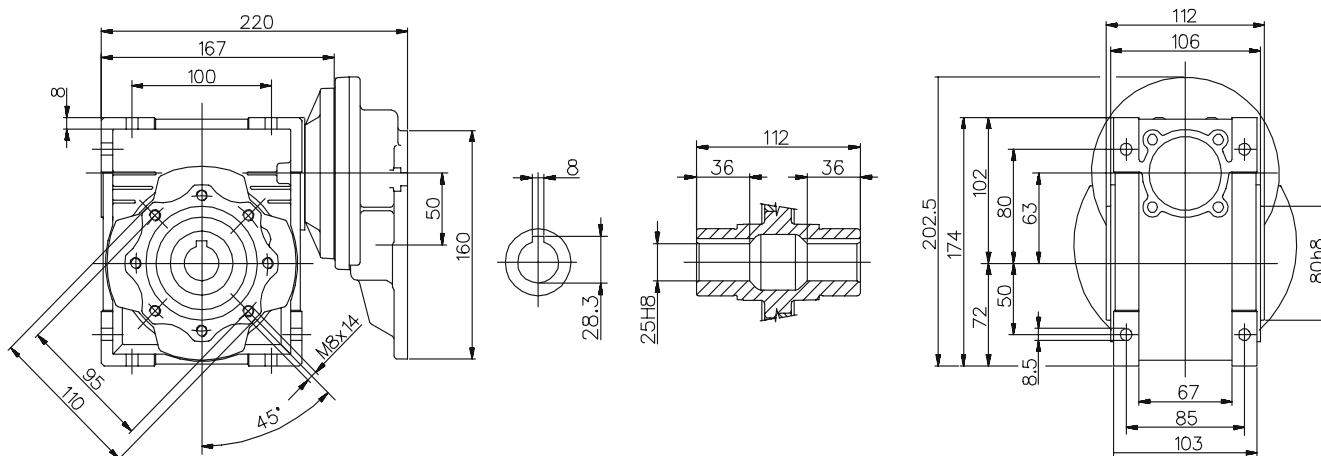
071-050 Dimensions / 尺寸

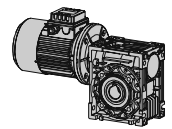
PC 071 - NMRV 050



071-063 Dimensions / 尺寸

PC 071 - NMRV 063

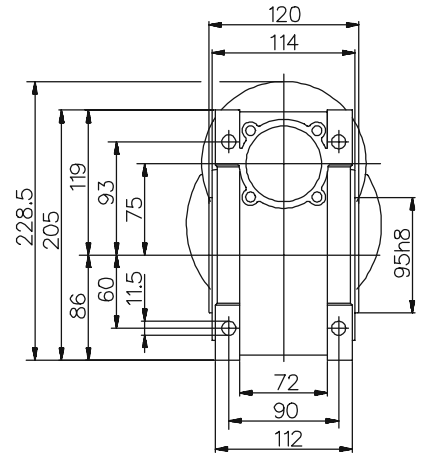
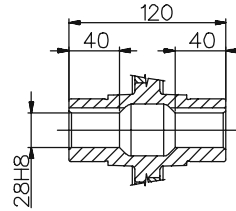
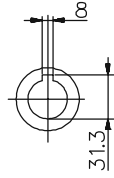
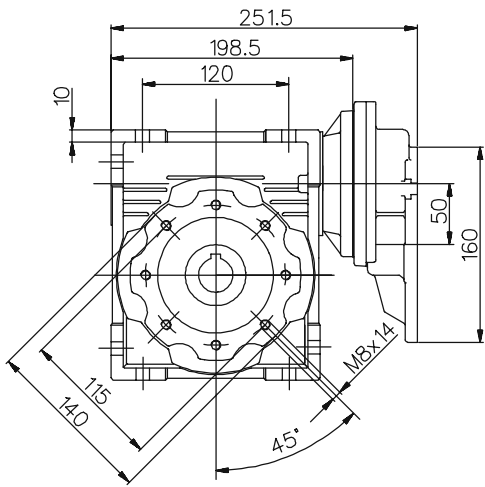




Dimensions / 尺寸

071-075

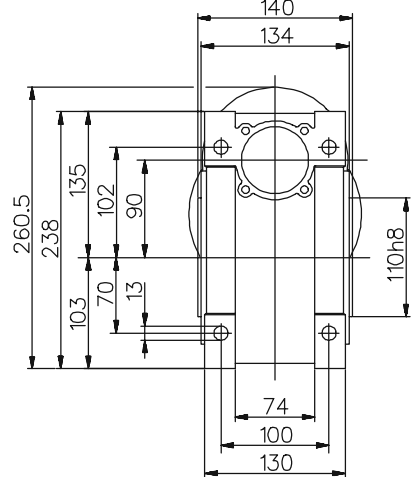
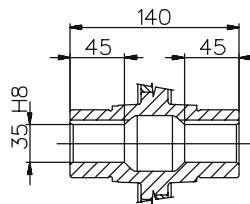
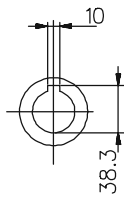
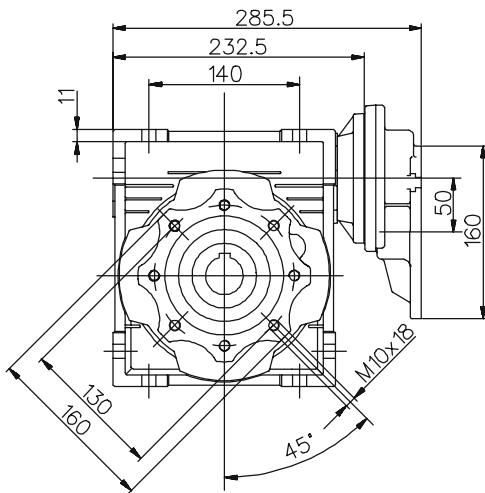
PC 071 - NMRV 075



Dimensions / 尺寸

071-090

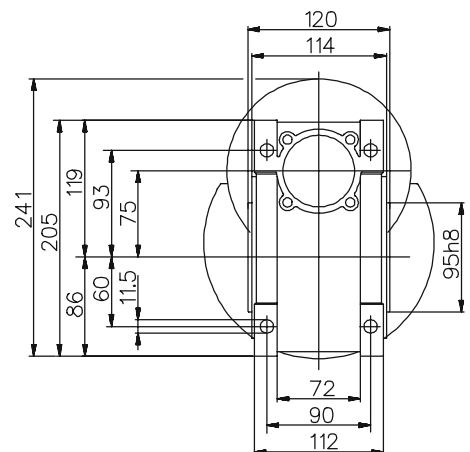
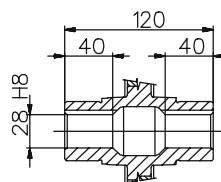
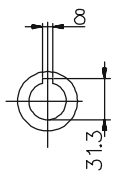
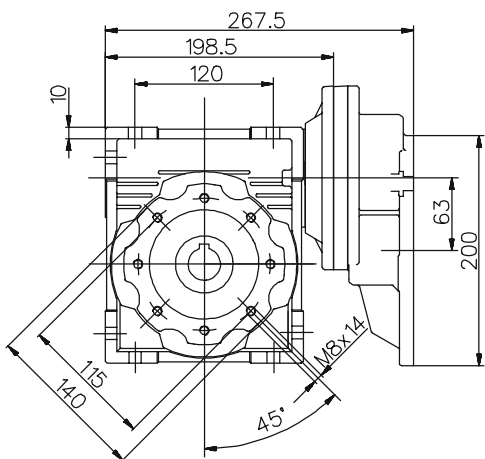
PC 071 - NMRV 090

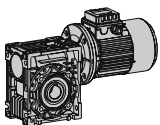


Dimensions / 尺寸

080-075

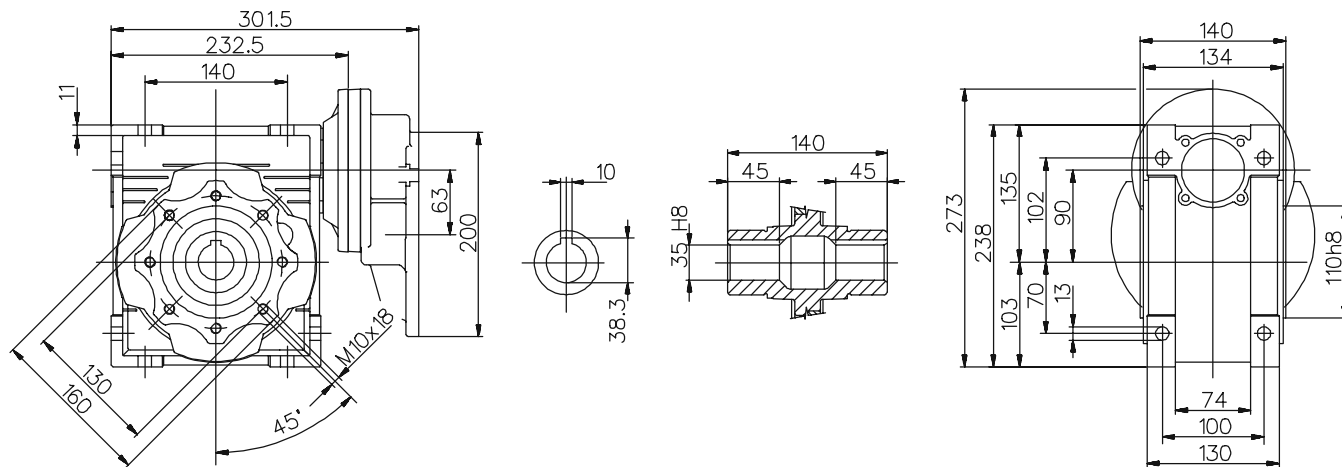
PC 080 - NMRV 075





**080-090** Dimensions / 尺寸

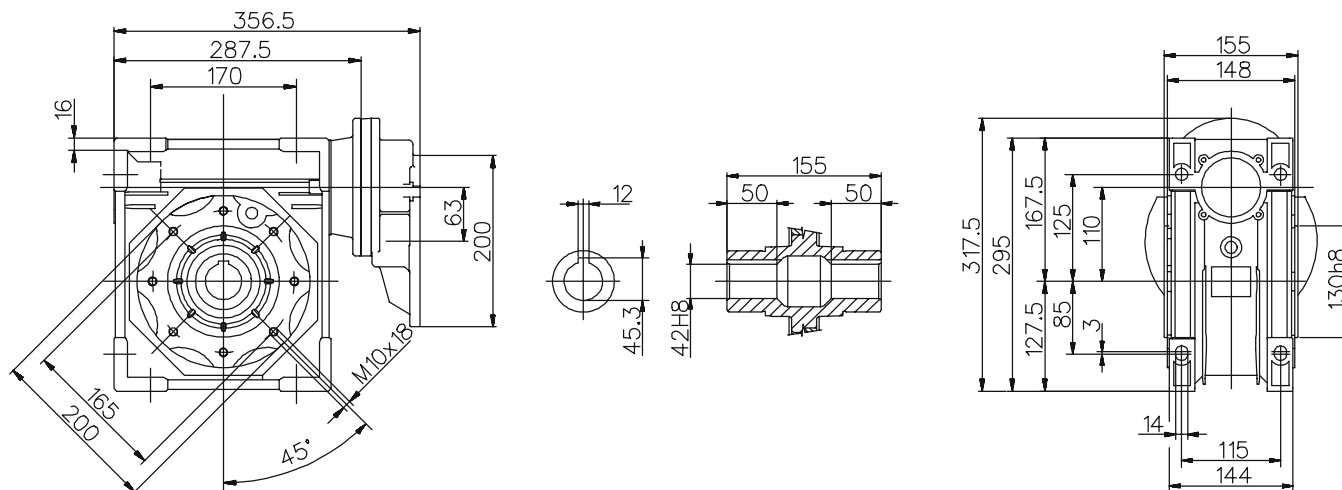
**PC 080 - NMRV 090**



**080-105** Dimensions / 尺寸

**PC 080 - NMRV 105**

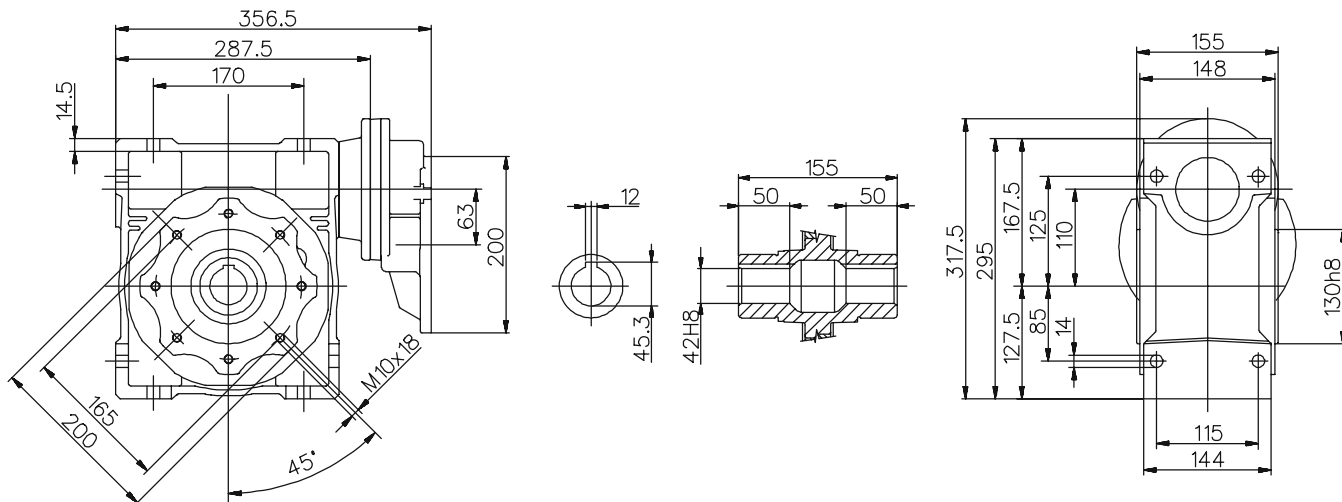
**PC 090 - NMRV 105**

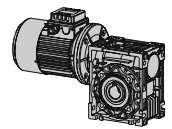


**080-110** Dimensions / 尺寸

**PC 080 - NMRV 110**

**PC 090 - NMRV 110**

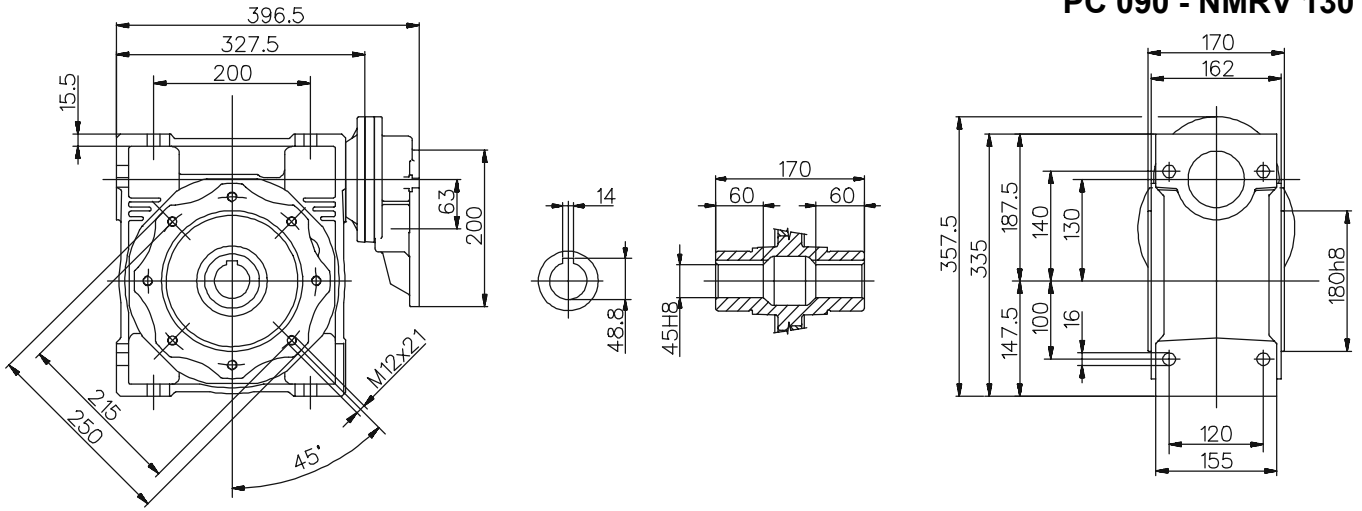




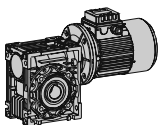
Dimensions / 尺寸

080-130

PC 080 - NMRV 130  
PC 090 - NMRV 130





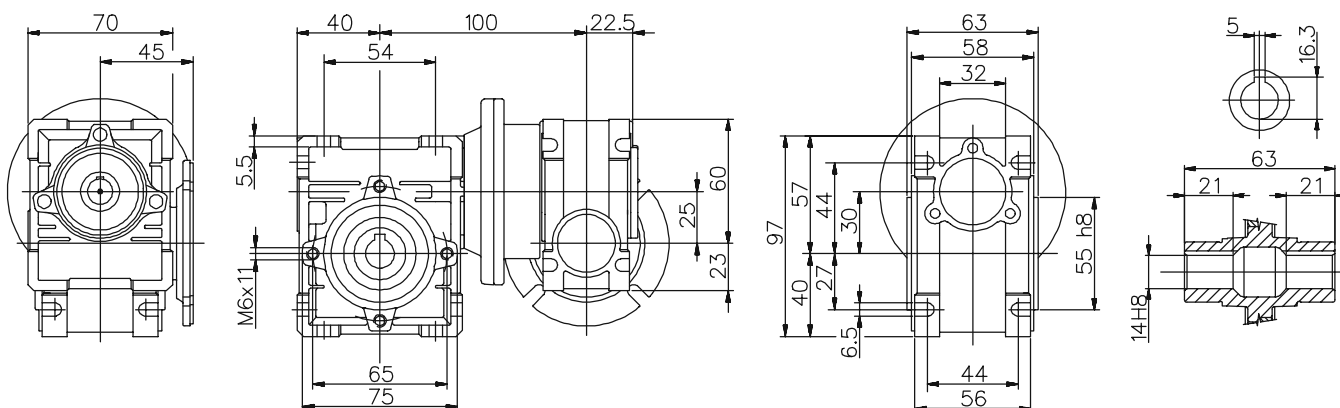


NMRV + NMRV Dimensions / 尺寸

- For the dimensions of the output flanges, please consider the drawing of relevant NMRV size.
- 有关输出法兰的尺寸, 请参考NMRV的相关或纸。
- For the dimensions of the hollow shafts in option, please consider the drawing of relevant NMRV size.
- 图有空心轴输出的尺寸, 可以参考NMRV相关的或纸。
- For the dimensions of the double extension worm shafts, please consider the drawing of relevant NMRV size.
- 可选双出轴蜗杆的尺寸, 请参考NMRV的相关或纸。

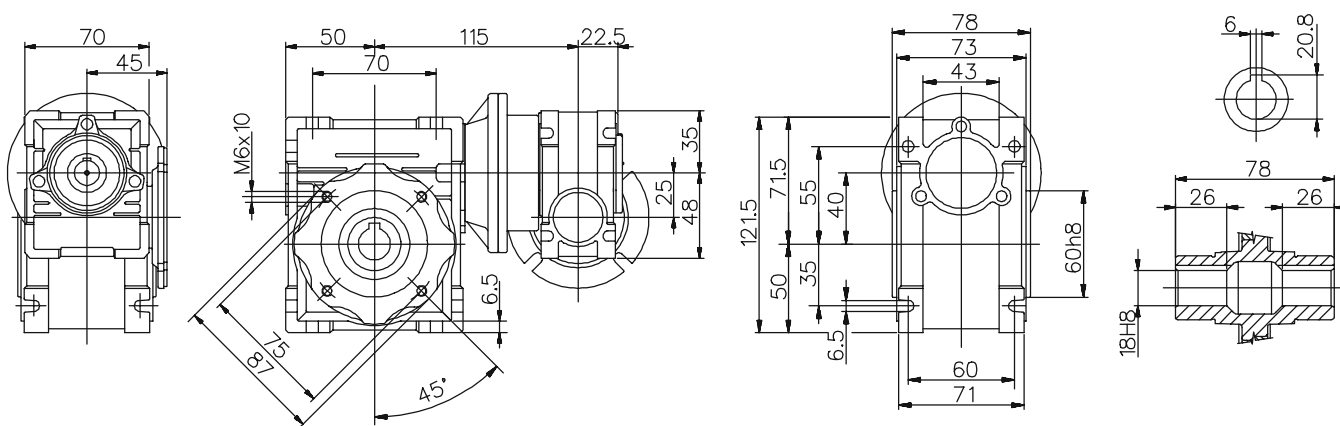
025-030 Dimensions / 尺寸

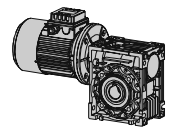
NMRV 025-030



025-040 imensions / 尺寸

NMRV 025-040

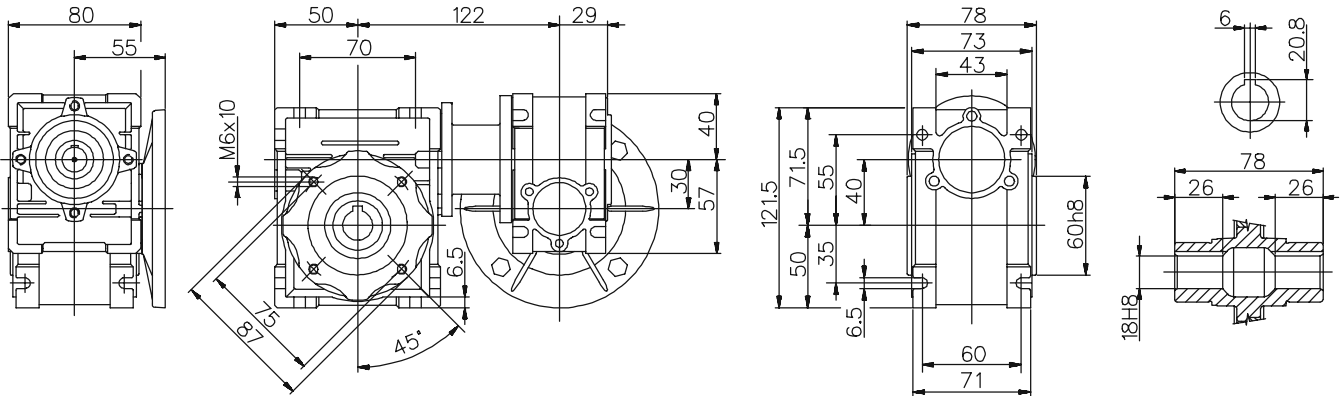




Dimensions / 尺寸

030-040

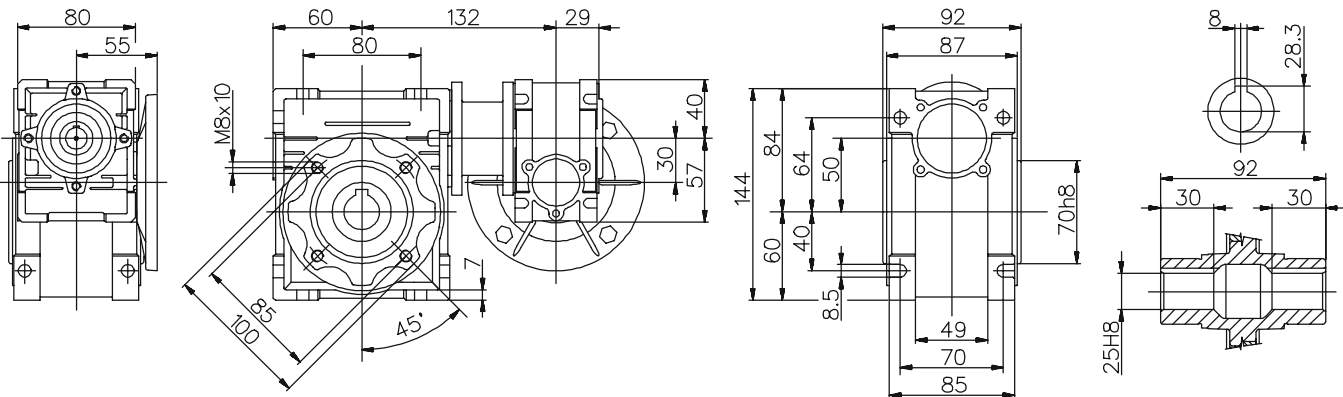
NMRV 030-040



Dimensions / 尺寸

030-050

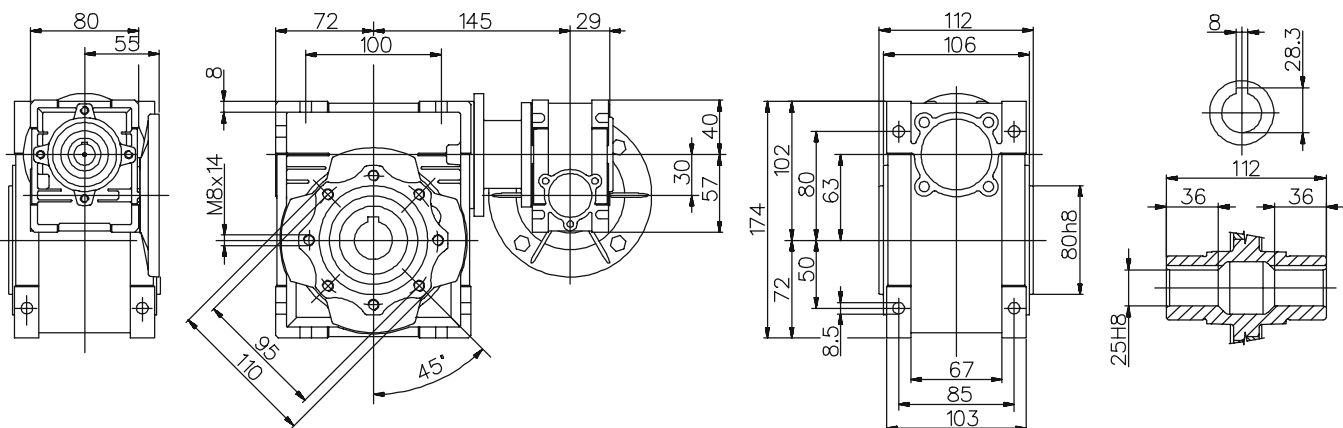
NMRV 030-050

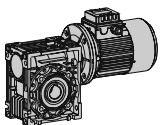


Dimensions / 尺寸

030-063

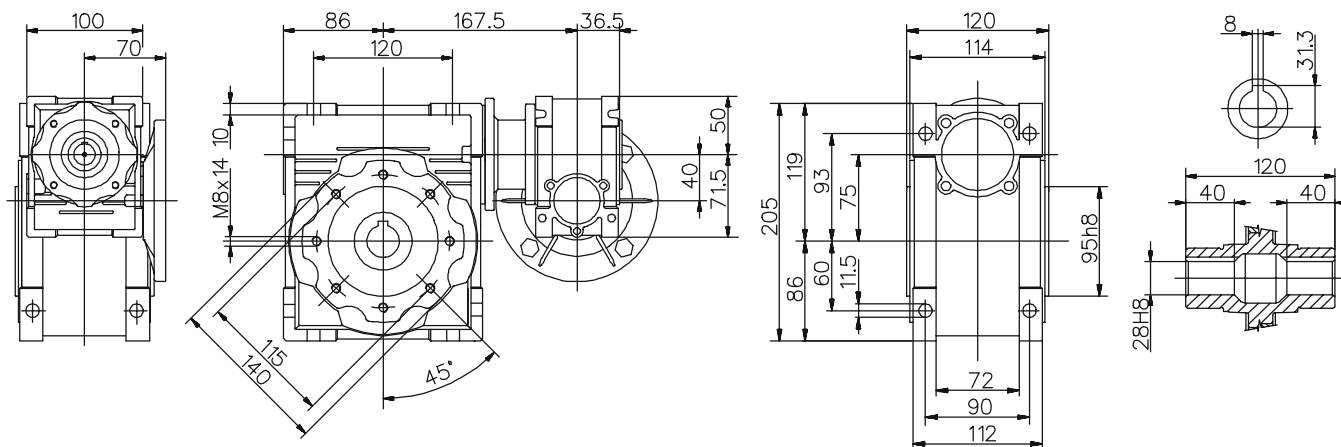
NMRV 030-063





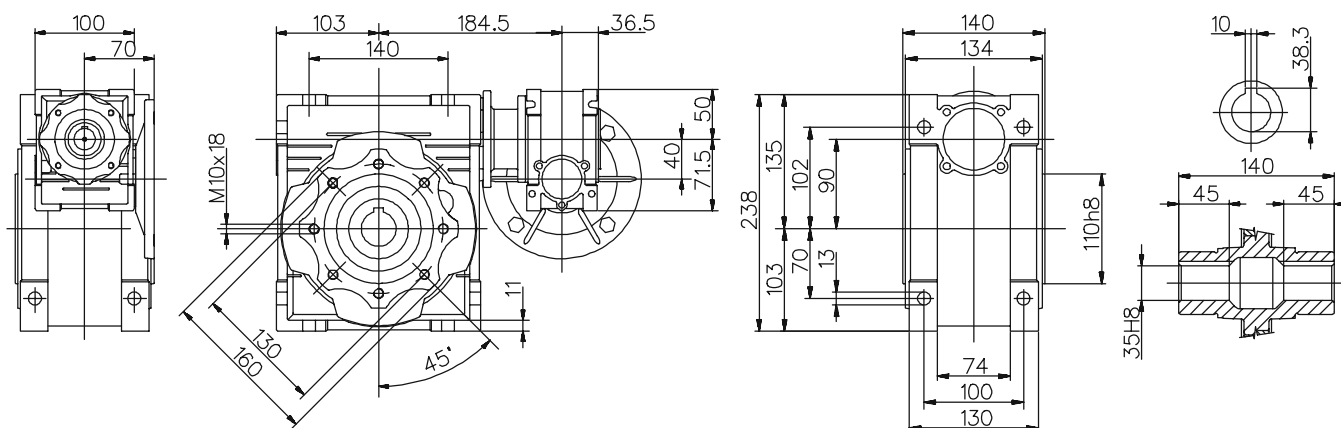
040-075 Dimensions / 尺寸

NMRV 040-075



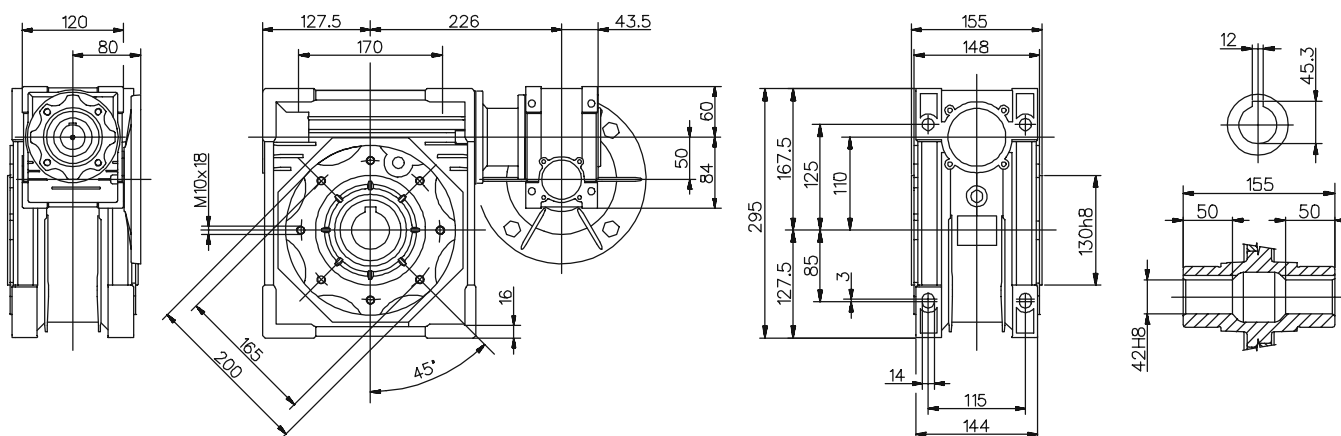
040-090 Dimensions / 尺寸

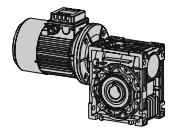
NMRV 040-090



050-105 Dimensions / 尺寸

NMRV 050-105

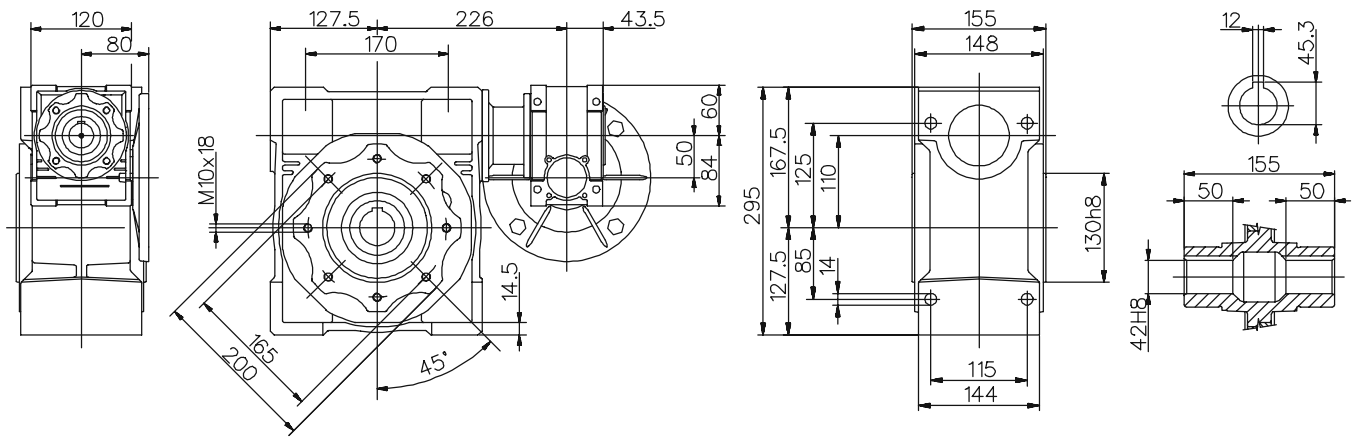




Dimensions / 尺寸

050-110

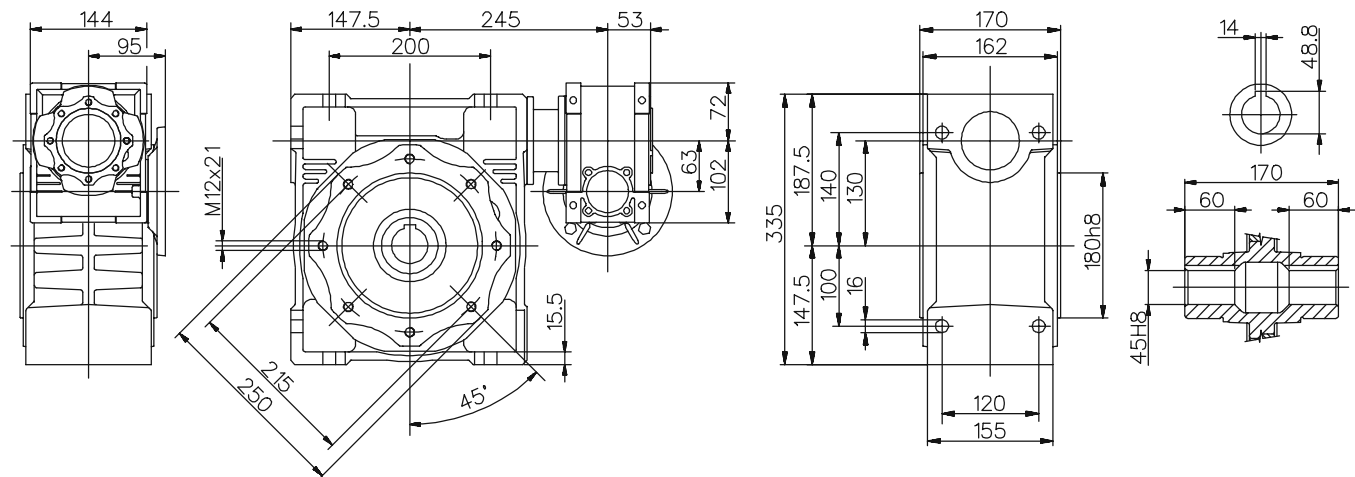
NMRV 050-110



Dimensions / 尺寸

063-130

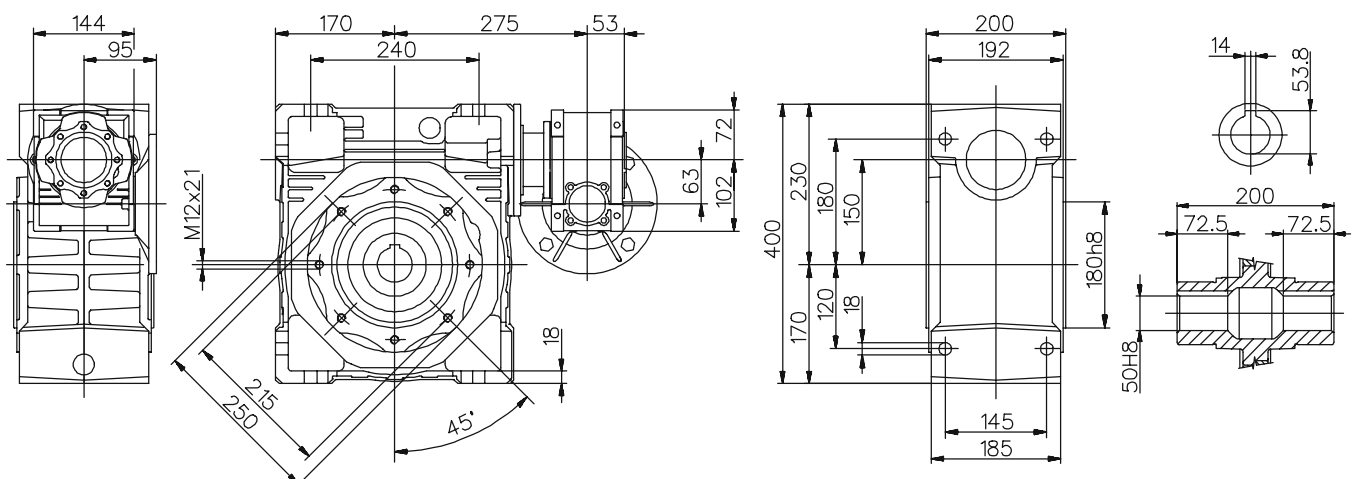
NMRV 063-130

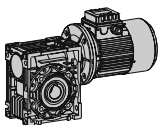


Dimensions / 尺寸

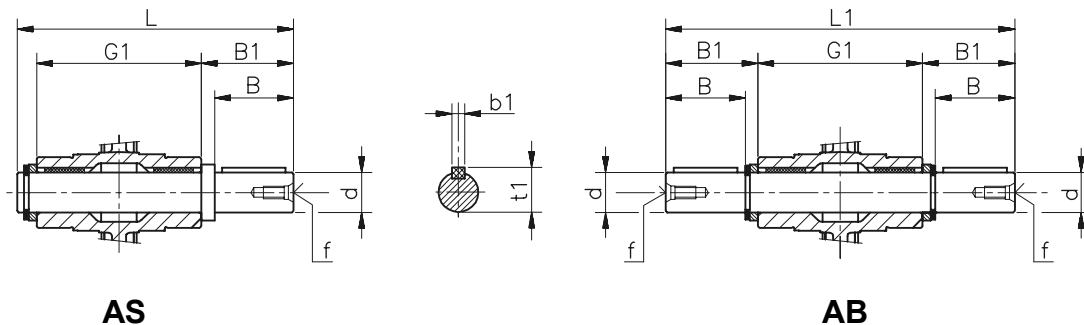
063-150

NMRV 063-150





Low speed shafts / 输出轴



AS

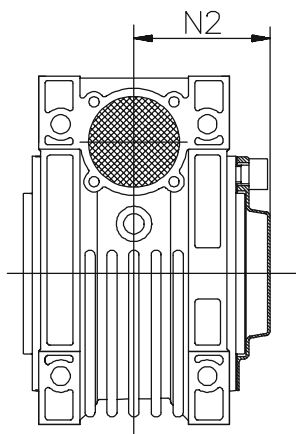
AB

	d	B	B1	G1	L	L1	f	b1	t1
<b>025</b>	11g6 ( 9 )	23 ( 25 )	25,5 ( 30 )	50	81 ( 85,5 )	101	-	4 ( 3 )	12,5 ( 10,2 )
<b>030</b>	14 g6	30	32,5	63	102	128	M6	5	16
<b>040</b>	18 h6	40	43	78	128	164	M6	6	20,5
<b>050</b>	25 h6	50	53,5	92	153	199	M10	8	28
<b>063</b>	25 h6	50	53,5	112	173	219	M10	8	28
<b>075</b>	28 h6	60	63,5	120	192	247	M10	8	31
<b>090</b>	35 h6	80	84,5	140	234	309	M12	10	38
<b>105</b>	42 h6	80	84,5	155	249	324	M16	12	45
<b>110</b>	42 h6	80	84,5	155	249	324	M16	12	45
<b>130</b>	45 h6	80	85	170	265	340	M16	14	48,5
<b>150</b>	50 h6	82	87	200	297	374	M16	14	53,5

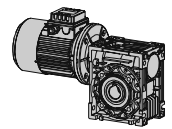
(..) Only on request

(..) 非标产品，下单时须注明要求

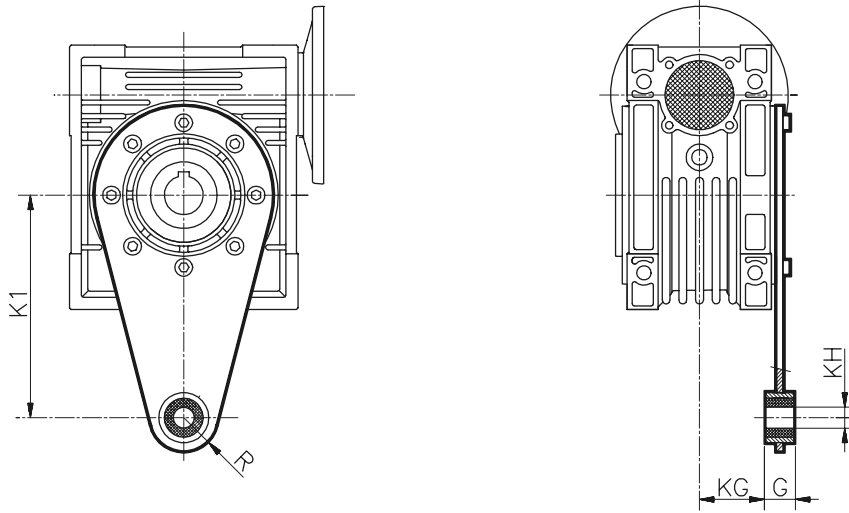
Cover / 盖子



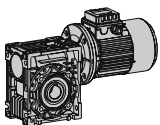
	N2
<b>030</b>	42
<b>040</b>	50
<b>050</b>	57.5
<b>063</b>	68.5
<b>075</b>	73.5
<b>090</b>	85.5
<b>105</b>	94
<b>110</b>	94
<b>130</b>	102
<b>150</b>	117



## Torque arm / 扭力臂

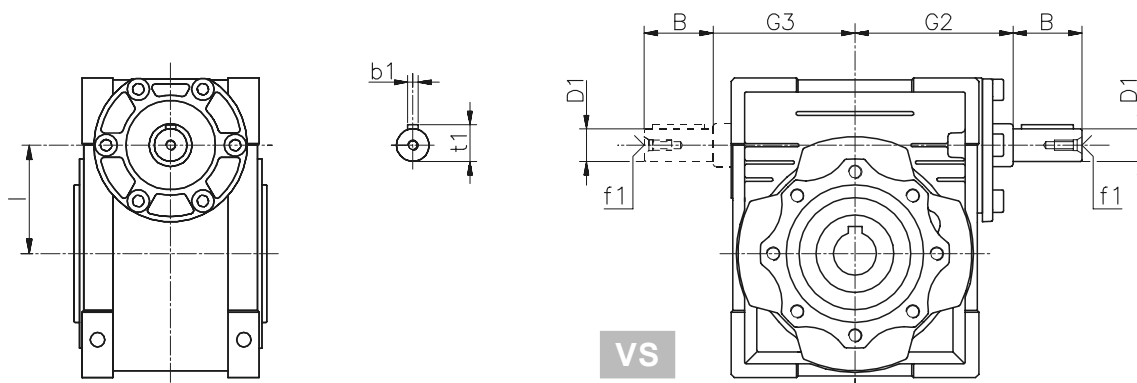


	<b>K1</b>	<b>G</b>	<b>KG</b>	<b>KH</b>	<b>R</b>
<b>025</b>	70	14	17,5	8	15
<b>030</b>	85	14	24	8	15
<b>040</b>	100	14	31,5	10	18
<b>050</b>	100	14	38,5	10	18
<b>063</b>	150	14	49	10	18
<b>075</b>	200	25	47,5	20	30
<b>090</b>	200	25	57,5	20	30
<b>105</b>	250	30	62	25	35
<b>110</b>	250	30	62	25	35
<b>130</b>	250	30	69	25	35
<b>150</b>	250	30	84	25	35



Dimensions / 尺寸

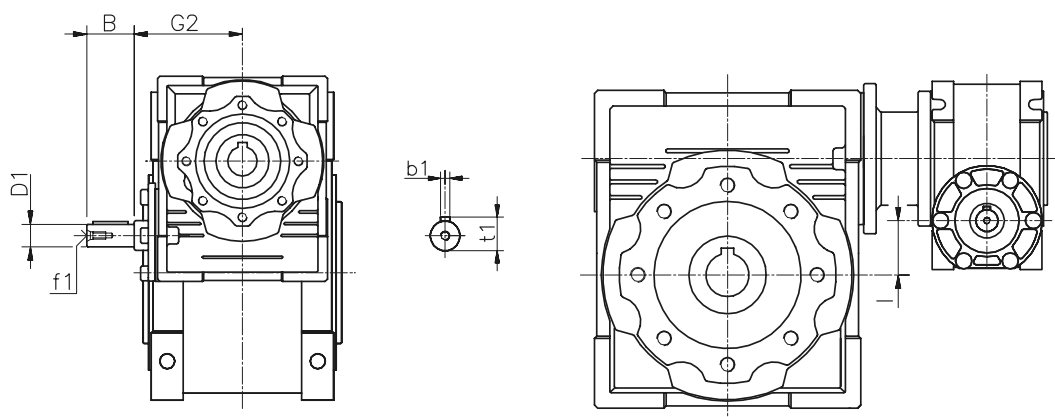
NRV



NRV	030	040	050	063	075	090	105	110	130	150
<b>B</b>	20	23	30	40	50	50	60	60	80	80
<b>D1</b>	9 j6	11 j6	14 j6	19 j6	24 j6	24 j6	28 j6	28 j6	30 j6	35 j6
<b>G2</b>	51	60	74	90	105	125	142	142	162	195
<b>G3</b>	45	53	64	75	90	108	135	135	155	175
<b>l</b>	30	40	50	63	75	90	110	110	130	150
<b>b1</b>	3	4	5	6	8	8	8	8	8	10
<b>f1</b>	-	-	M6	M6	M8	M8	M10	M10	M10	M12
<b>t1</b>	10,2	12,5	16	21,5	27	27	31	31	33	38

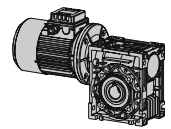
Dimensions / 尺寸

NRV-NMRV

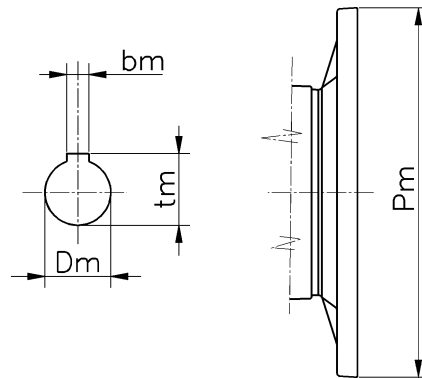


NRV-NMRV	030-040	030-050	030-063	040-075	040-090	050-105	050-110	063-130	063-150
<b>B</b>	20	20	20	23	23	30	30	40	40
<b>D1</b>	9 j6	9 j6	9 j6	11 j6	11 j6	14 j6	14 j6	19 j6	19 j6
<b>G2</b>	51	51	51	60	60	74	74	90	90
<b>l</b>	10	20	33	35	50	60	60	67	87
<b>b1</b>	3	3	3	4	4	5	5	6	6
<b>f1</b>	-	-	-	-	-	M6	M6	M6	M6
<b>t1</b>	10,2	10,2	10,2	12,5	12,5	16	16	21,5	21,5

For the missing dimensions, please consider the drawing of relevant NMRV size.  
没列出的尺寸，请参考NMRV的相关尺寸。



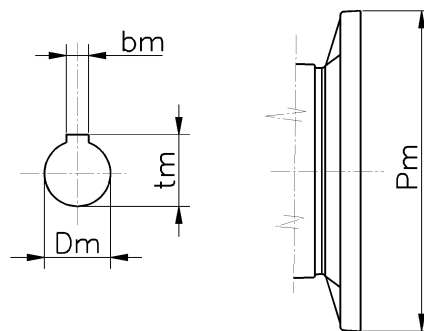
## PAM B5 - Dimensions / 尺寸



B5	IEC										
	056	063	071	080	090	100	112	132	160	180	200
Pm	120	140	160	200	200	250	250	300	350	350	400
Dm	9	11	14	19	24	28	28	38	42	48	55
bm	3	4	5	6	8	8	8	10	12	14	16
tm	10,4	12,8	16,3	21,8	27,3	31,3	31,3	41,3	45,3	51,8	59,3

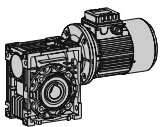
NMRV (110 ÷ 130) tm= 40,3 (IEC 132)

## PAM B14 -Dimensions / 尺寸



B14	IEC							
	056	063	071	080	090	100	112	132
Pm	80	90	105	120	140	160	160	200
Dm	9	11	14	19	24	28	28	38
bm	3	4	5	6	8	8	8	10
tm	10,4	12,8	16,3	21,8	27,3	31,3	31,3	41,3

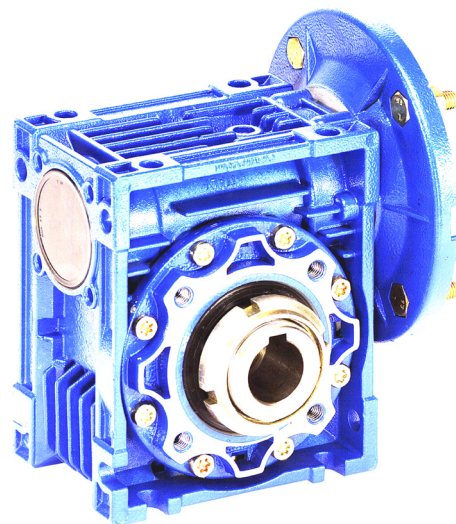




## Worm gearmotors and reducers with torque limiter.

蜗轮蜗杆减速机与扭矩限制器的组合

NMRL



000

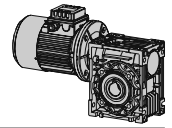
### NMRL - Features 特点

The torque limiter, in oil bath, is designed for sizes 050-063-075-090.

This device assures the protection of the transmission from accidental high overloads which could damage the gearbox and the power transmission components.

If necessary, it prevents reversing conditions of the worm gear unit by opportunely loosening the lock nut.

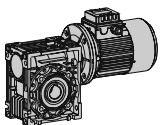
- 有扭矩限制器和油缸的型号位050-063-075-090
- 这种装置可避免因传输过高负载时对减速机造成损坏
- 必要时，可拧松防松螺母防止减速机反转。



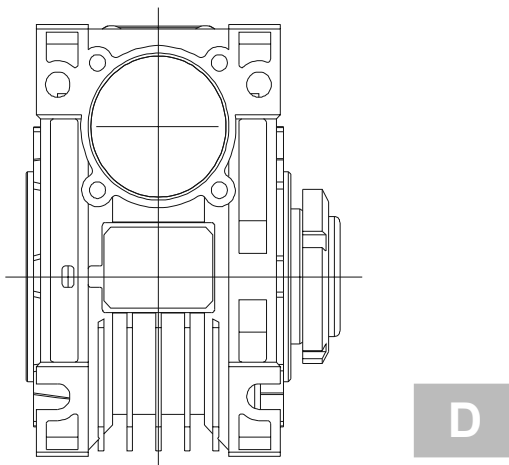
## NMRL

The adjustment is carried out during assembly at about 80% of the nominal torque reported in the catalogue. This torque is transmitted by friction and so many factors could influence the adjustment value, like: temperature, running-in, vibrations, etc., therefore it is advised to adjust the torque limit by means of the lock nut when installing the gearbox on the machine, in accordance to application requirements.

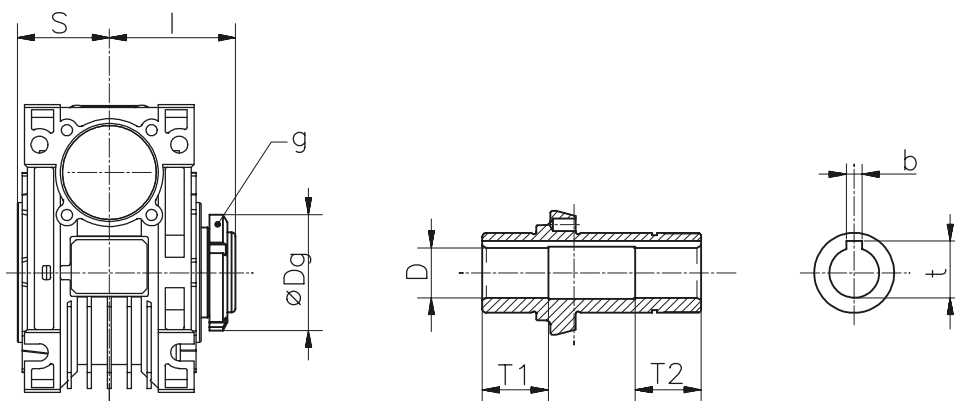
设定扭矩限制值是根据样本上图注明的扭矩值之80%来进行的, 扭矩限制是会过摩擦力来生效, 因此也受温度, 磨合机震荡等因素影响的, 因此厂方鼓励用户应该根据应用情况以防松螺母来调校限制值.



NMRL - Versions / 各种型号



The torque limiter is supplied in D position.  
 扭矩限制器安装在D的减置



	<b>050</b>	<b>063</b>	<b>075</b>	<b>090</b>
<b>l</b>	63,5	74	78,5	89,5
<b>S</b>	46	56	60	70
<b>Dg</b>	56	62	68	80
<b>g</b>	M40x1,5	M45x1,5	M50x1,5	M60x2
<b>b</b>	8	8	8	10
<b>t</b>	28,3	28,3	31,3	38,3
<b>D</b>	Ø25	Ø25	Ø28	Ø35
<b>T1</b>	33	37	40	45
<b>T2</b>	33	37	40	45

For the missing dimensions, please consider the drawing of relevant NMRV size.  
 没列出的尺寸，请参考NMRV的相关尺寸或。