



■ Description

The JC56XX series is a high input voltage (60V), low quiescent current, High PSRR linear regulator (LDO) able to provide 150mA load current.

The LDO features very fast response against line voltage transient and load current transient, and ensures no overshoot voltage during the LDO start up and short circuit recovery.

The device features integrated short-circuit and thermal shutdown protection.

The device is available with fixed output voltages of 3.0V, 3.3V, 3.6V and 5.0V, and available in SOT23 and SOT89 packages.

■ Application

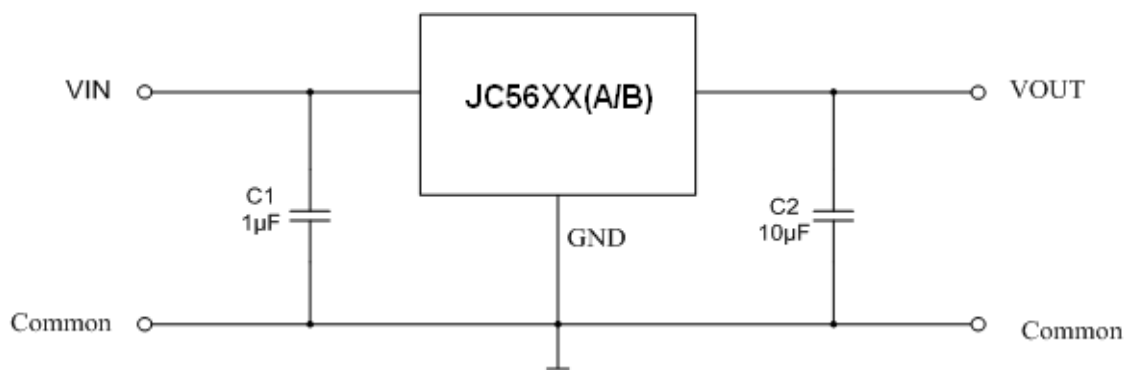
- industrial control
- Automobile electron indus
- Electric tools
- Smoke detector and sensor
- Micro controller Applications
- Artificial intelligence
- Home Appliance

■ Features

- Low Quiescent Current: 2uA
- High Input Voltage Rating: Up to 80V
- Output Current: 150mA
- High PSRR: 70dB at 1Khz
- Short circuit protection current: 80mA
- Dropout Voltage:
 - 70mV@10mA
 - 700mV@100mA
- Fixed Output Voltages:
 - 3.0V, 3.3V, 3.6V and 5.0V
- High-accuracy Output Voltage: A:±1% B: ±2%
- Good Transient Response
- Integrated Short-Circuit Protection
- Integrated Thermal Protection
- Available Packages:

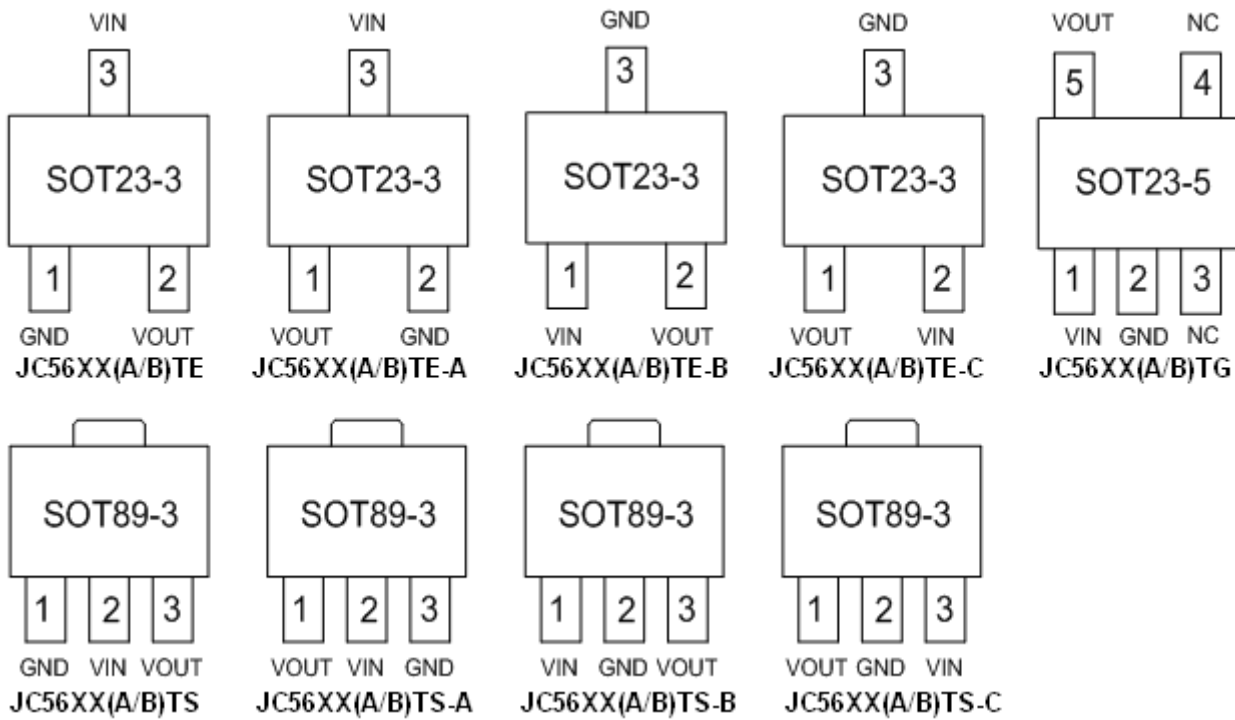
JC56XX(A/B)TE	SOT23-3
JC56XX(A/B)TE-A	
JC56XX(A/B)TE-B	
JC56XX(A/B)TE-C	
JC56XX(A/B)TS	SOT89-3
JC56XX(A/B)TS-A	
JC56XX(A/B)TS-B	
JC56XX(A/B)TS-C	
JC56XX(A/B)TG	SOT23-5
➤ Package:	SOT223-4
Accept Customized	TO252-3
	ESOP-8

■ Application Circuits





■ Packages And Pin Assignment

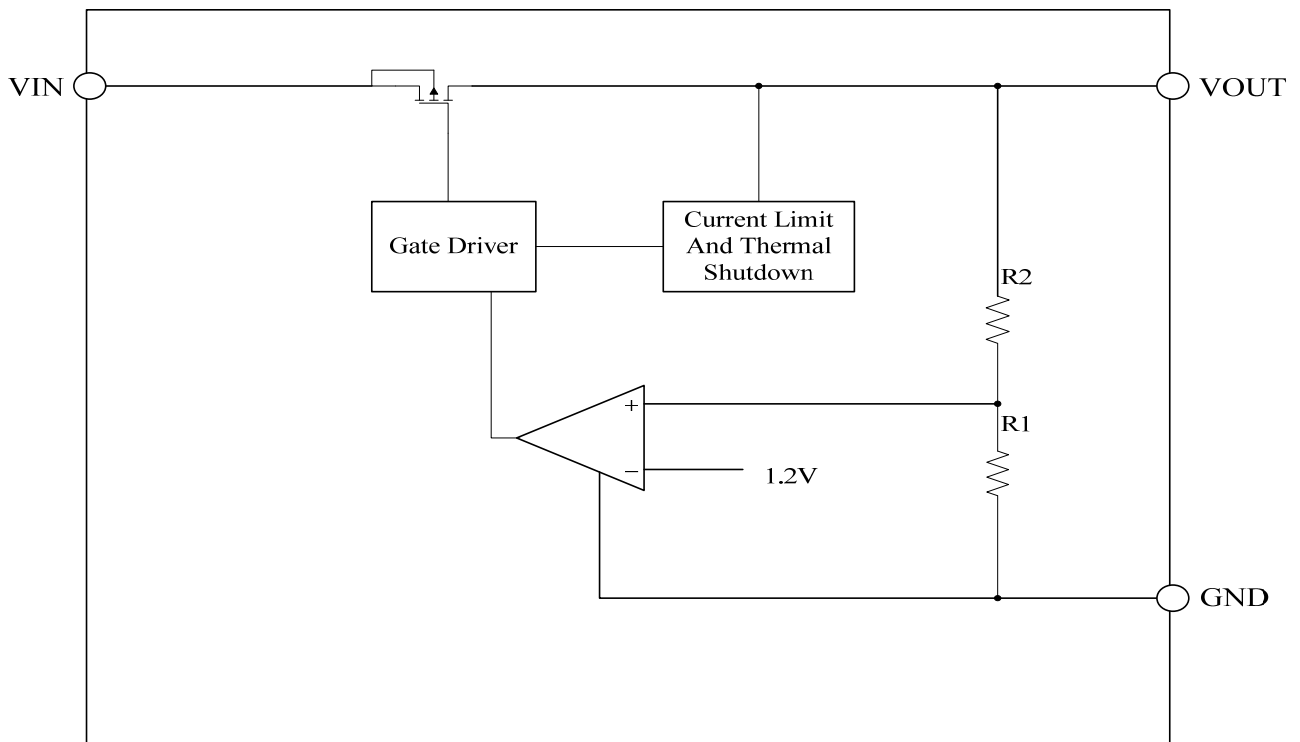


■ Pin Descriptions

SOT23-3				PIN NAME	DESCRIPTION
JC56XX (A/B)TE	JC56XX (A/B)TE -A	JC56XX (A/B)TE -B	JC56XX (A/B)TE TE-C		
1	2	3	3	GND	Ground Pin
2	1	2	1	VOUT	Output Pin
3	3	1	2	VIN	Input Pin
SOT89-3				PIN NAME	DESCRIPTION
JC56XX (A/B)TS	JC56XX (A/B)TS-A	JC56XX (A/B)TS-B	JC56XX (A/B)TS-C		
1	3	2	2	GND	Ground Pin
3	1	3	1	VOUT	Output Pin
2	2	1	3	VIN	Input Pin
SOT23-5				PIN NAME	DESCRIPTION
JC56XX(A/B)TG					
1				VIN	Input Pin
2				GND	Ground Pin
3				NC	No Connection
4				NC	No Connection
5				VOUT	Output Pin



Functional Block Diagram



Absolute Maximum Ratings

Item	Description	Min	Max	Unit
Voltage	VIN to GND	-0.3	80	V
	Warning: The peak value of pulse input voltage must not exceed 100V			
	VOUT to GND	-0.3	6	V
Current	VOUT to VIN	-35	0.3	V
	Peak output current	Internally limited:250mA		
Temperature	Operating Ambient Temperature	-40	85	°C
	Storage Temperature	-40	150	°C
	Operating virtual junction Temperature	-	150	°C
Thermal Resistance (Junction to Ambient)	SOT89	180		°C/W
	SOT23	380		°C/W
Power Dissipation	SOT89	600		mW
	SOT23	300		mW
Electrostatic discharge rating	Human Body Model (HBM)	4		kV
	Charged Device Model (MM)	100		V



■ Electrical Characteristics

(At T_A=25°C, C_{IN}=1uF, V_{IN}=V_{OUTNOM}+1.0V, C_{OUT}=10uF, unless otherwise noted)

Symbol	Parameter	Test Conditions	MIN	TYP	MAX	UNIT
V _{IN}	Input Voltage		5	—	60	V
I _{IGND}	Quiescent Current	V _{IN} =12V, No load	—	2	—	uA
V _{OUT(A)}	Output Voltage	V _{IN} =12V, I _{OUT} =10mA	V _{OUTNOM} * 0.99	V _{OUTNOM}	V _{OUTNOM} * 1.01	V
V _{OUT(B)}	Output Voltage	V _{IN} =12V, I _{OUT} =10mA	V _{OUTNOM} * 0.98	V _{OUTNOM}	V _{OUTNOM} * 1.02	V
I _{OUT_MAX}	Output Current		—	150	—	mA
V _{DROP}	Dropout Voltage ⁽¹⁾	I _{OUT} =10mA, V _{IN} =V _{OUTNOM} -0.1V	—	70	—	mV
		I _{OUT} =100mA, V _{IN} =V _{OUTNOM} -0.1V	—	700	—	mV
ΔV _{OUT(ΔI_{OUT})}	Load Regulation	V _{IN} =12V, 1mA ≤ I _{OUT} ≤ 100mA	—	0.02	—	%/mA
ΔV _{OUT(ΔV_{IN})}	Line Regulation	I _{OUT} =1mA, V _{OUTNOM} +0.5V ≤ V _{IN} ≤ 60V	—	0.01	—	%/V
I _{LIMIT}	Current Limit		—	250	—	mA
Short circuit	Current protection			80		mA
T _{SHDN}	Thermal Shutdown Temperature	Shutdown, temperature increasing	—	150	—	°C
		Reset, temperature decreasing	—	140	—	
PSRR		V _{in} =12V, I _{out} =10mA F=1Khz, V _{out} =3.3V	—	70	—	dB

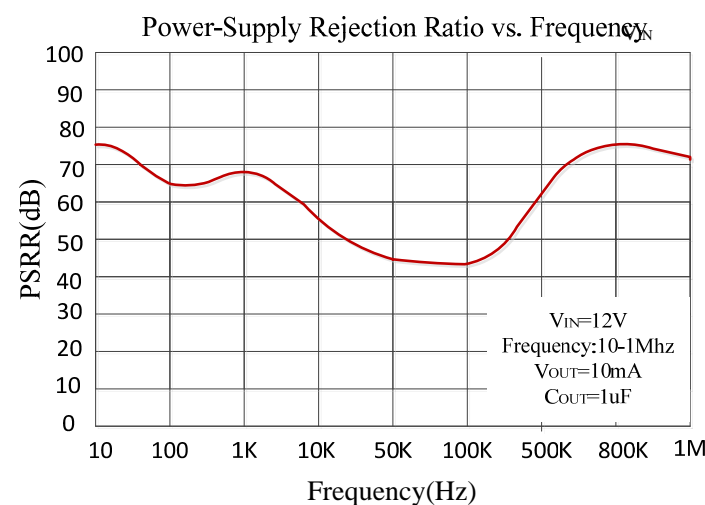
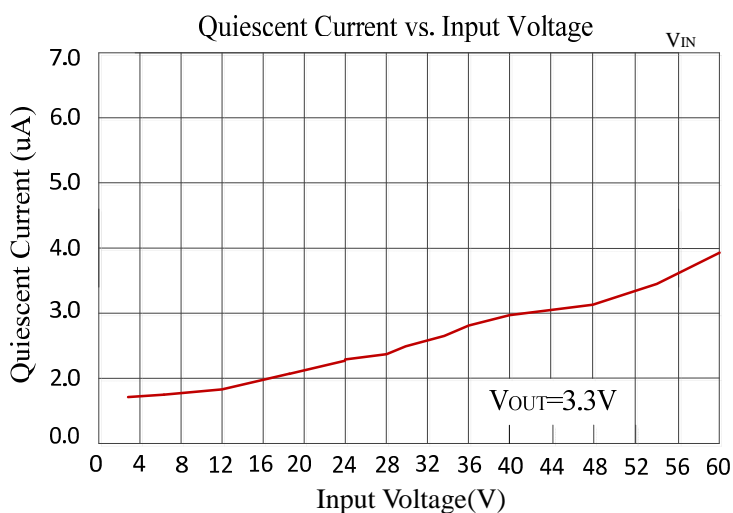
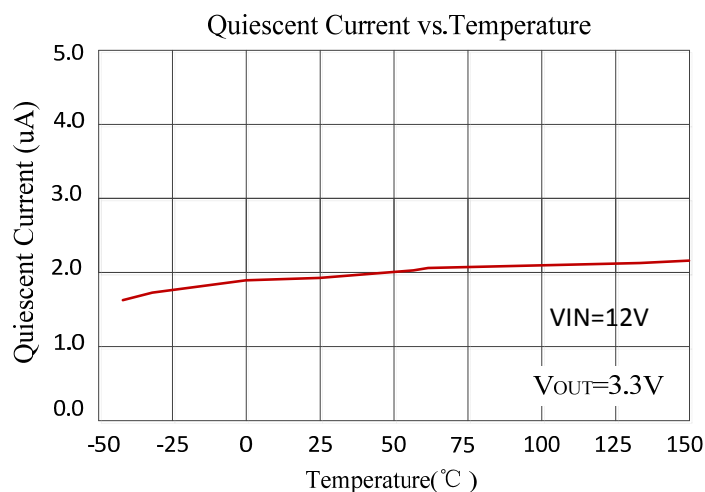
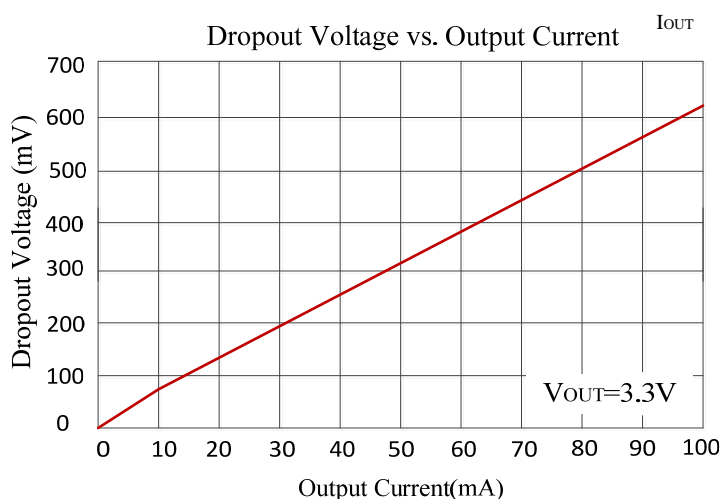
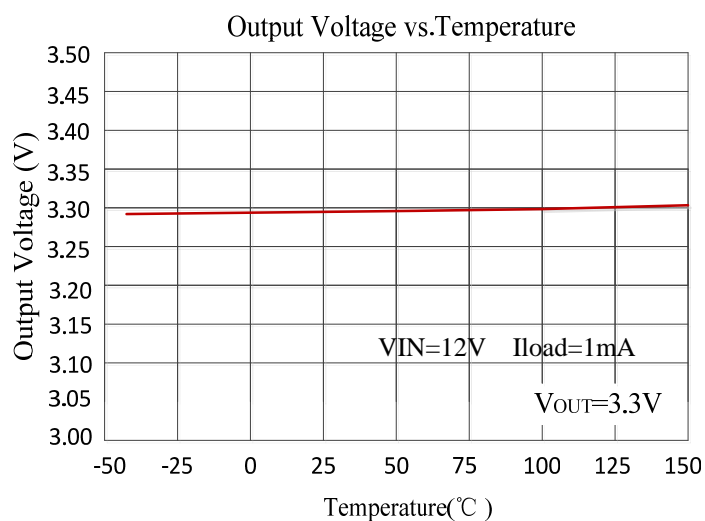
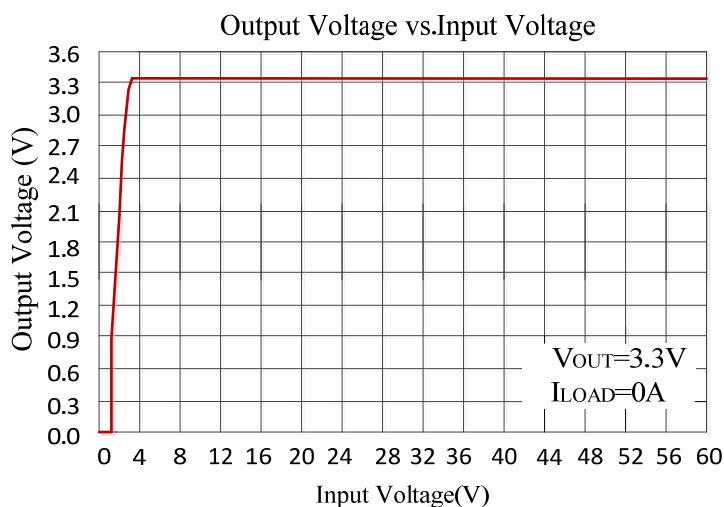
Load Regulation < 0.4% At T_A=25°C, C_{IN}=1uF, V_{IN}=6.0V, C_{OUT}=10uF, ΔI_{OUT}:0mA—250mA ΔV_{OUT}<12mV

	Load Current	Out Voltage			Load Regulation: < 0.4%		
	unit: (mA)	Sample 1	Sample 2	Sample 3	Sample 1	Sample 2	Sample 3
JC5633BTS	0	3.3009	3.2893	3.2894			
	10	3.3010	3.2894	3.2895	-0.0030%	-0.0030%	-0.0030%
	30	3.3008	3.2896	3.2890	0.0030%	-0.0091%	0.0122%
	50	3.3006	3.2901	3.2972	0.0091%	-0.0243%	-0.2366%
	80	3.3006	3.2945	3.2984	0.0091%	-0.1578%	-0.2729%
	100	3.3008	3.2960	3.2990	0.0030%	-0.2033%	-0.2910%
	150	3.3009	3.3007	3.2995	0.0000%	-0.3454%	-0.3061%
	200	3.3010	3.2973	3.2998	-0.0030%	-0.2426%	-0.3152%
	250	3.3011	3.2975	3.3012	-0.0061%	-0.2487%	-0.3574%



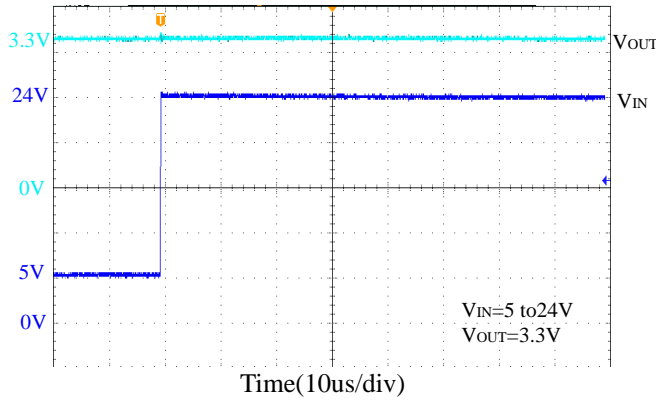
■ Typical Performance Characteristics

Test Condition: $T_A=25^\circ\text{C}$, $I_{OUT}=1\text{mA}$, $C_{OUT}=10\mu\text{F}$, unless otherwise noted

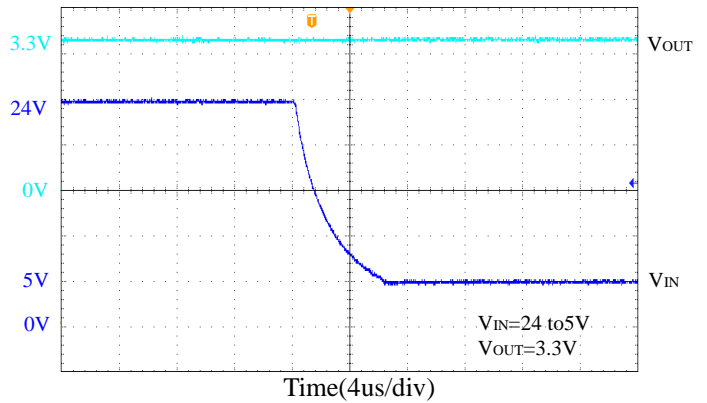




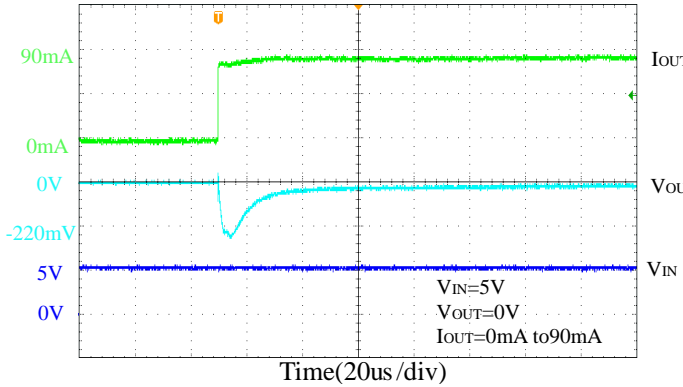
Line Transient Response



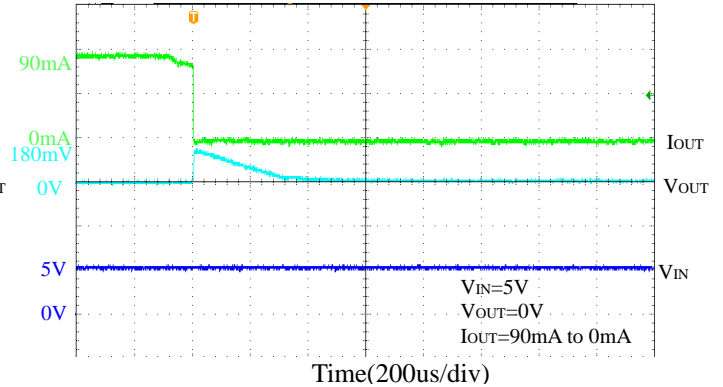
Line Transient Response



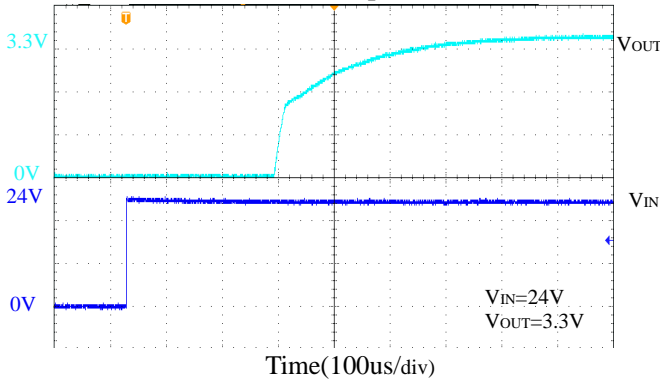
Load Transient Response



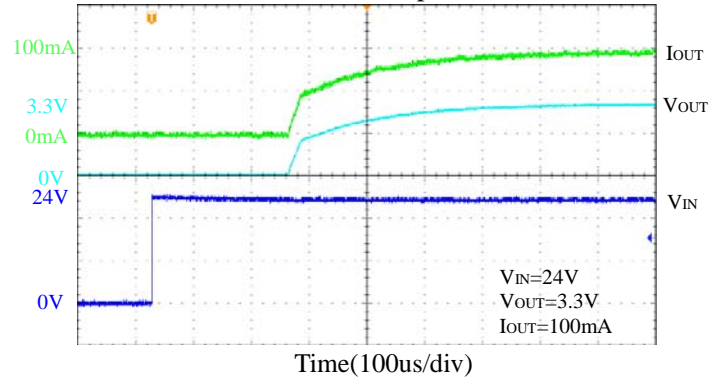
Load Transient Response



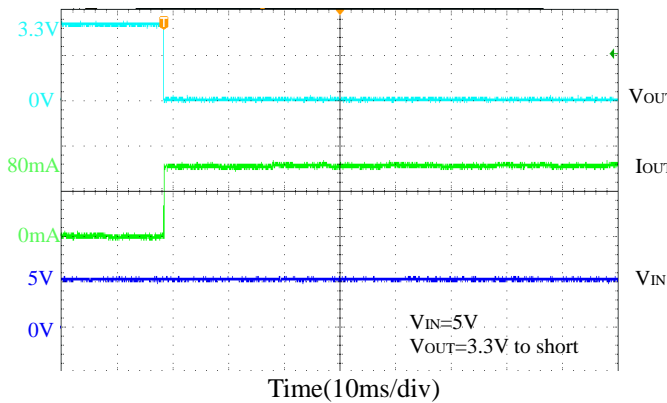
Start Up



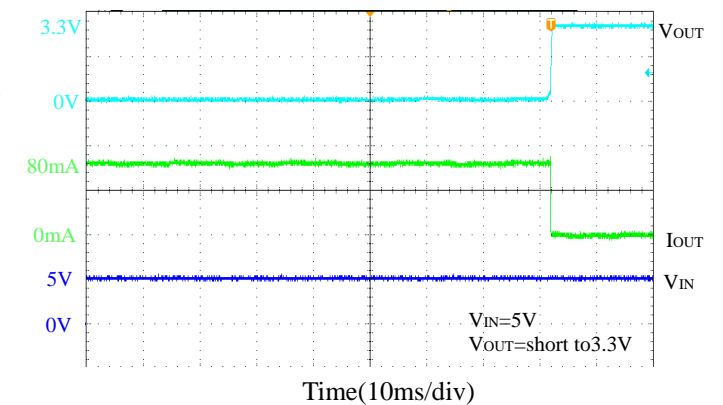
Start Up



Short Circuit Protection



Short Circuit Protection





■ Functional Description

Input Capacitor

A 1 μ F ceramic capacitor is recommended to connect between VIN and GND pins to decouple input power supply glitch and noise. The amount of the capacitance may be increased without limit. This input capacitor must be located as close as possible to the device to assure input stability and less noise. For PCB layout, a wide copper trace is required for both VIN and GND.

Output Capacitor

An output capacitor is required for the stability of the LDO. The recommended minimum output capacitance is 1 μ F, ceramic capacitor is recommended, and temperature characteristics are X7R or X5R. Higher capacitance values help to improve load/line transient response. The output capacitance may be increased to keep low undershoot/overshoot. Place output capacitor as close as possible to VOUT and GND pins.

Current Limit and Short Circuit Protection

When output current at VOUT pin is higher than current limit threshold or the VOUT pin is direct short to GND, the current limit protection will be triggered and clamp the output current at a pre-designed level to prevent over-current and thermal damage.

Thermal Protection

The JC56XXB has internal thermal sense and protection circuits. When excessive power dissipation happens on the device, such as short circuit at the output pin or very heavy load current with a large voltage drop across the device, the internal thermal protection circuit will be triggered, and it will shut down the power MOSFET to prevent the LDO from damage. As soon as excessive thermal condition is removed and the temperature of the device drops down, the thermal protection circuit will lease the control of the power MOSFET, and the LDO device goes to normal operation.



Ordering And Marking Information

Part Number	Package Outline	Minimum Package	Marking
JC 5633ATE-A		SOT23-5 3000pcs/Reel	SOT23-3 3000pcs/Reel
Pin definition Package definition Voltage accuracy Product Name Company Name			SOT89-3 1000pcs/Reel
			JC5633BA 1918R A:Pin definition B:B(±2%) A(±1%) C(±3%) 5633:5633(3.3V) 5636(3.6V) 5630(3.0V) 5650(5.0V) R:Internal Code.Variable. 1918:19-2019;18-the 18th week of this year JC:(SOT89-3) blank(SOT23)

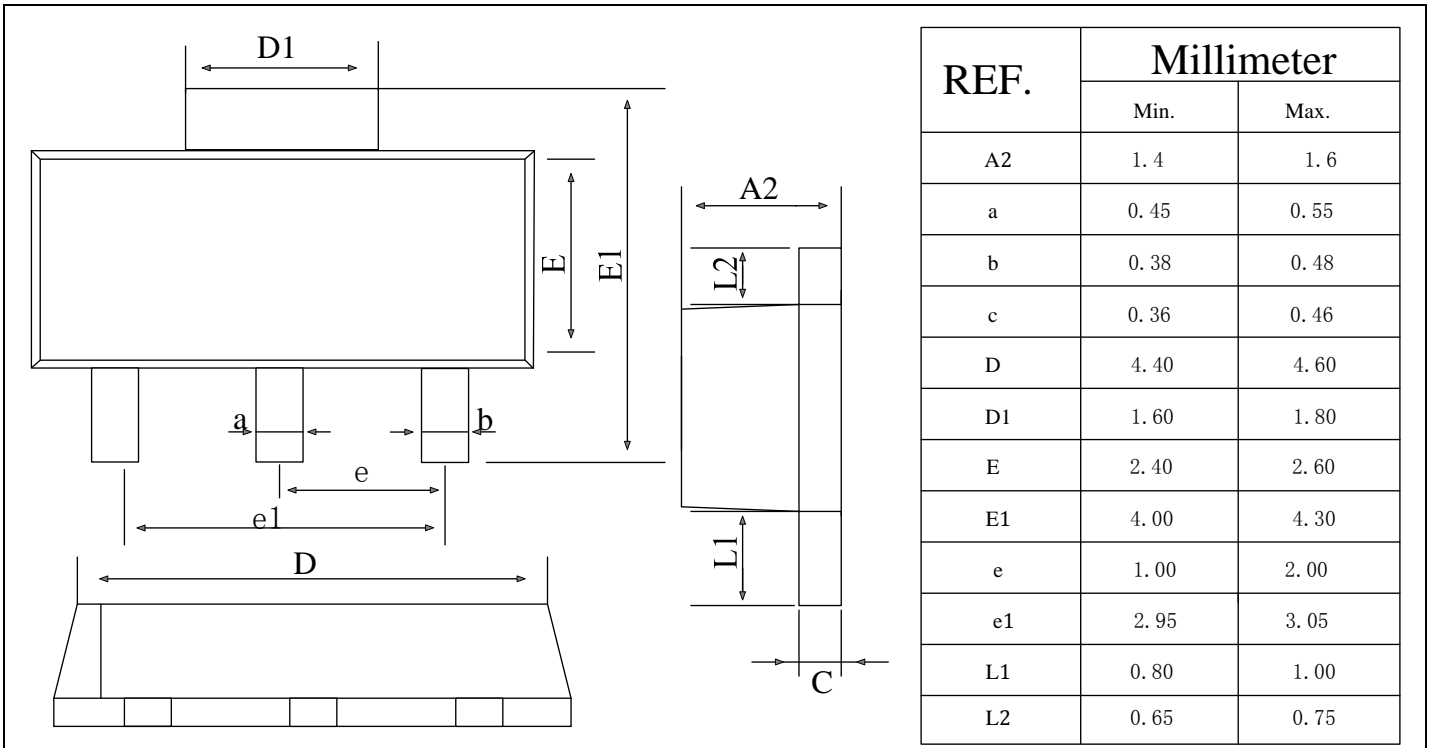
Package Outline Dimensions

SOT23-3

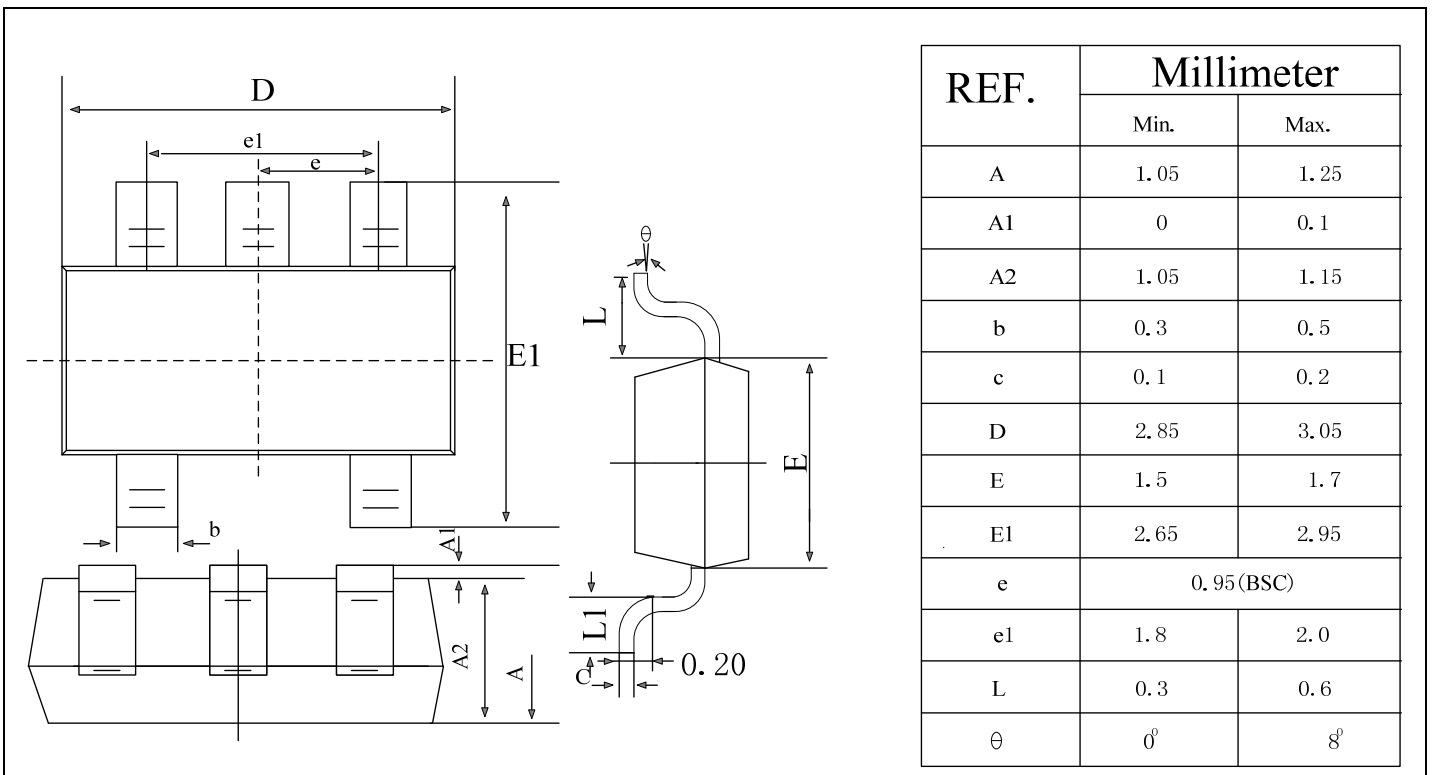
REF.	Millimeter	
	Min.	Max.
A	2.82	2.92
B	2.65	2.95
C	1.56	1.60
D	0.35	0.55
E	0	0.1
F	0.45	0.55
G	1.90	REF.
H	1.0	1.3
K	0.10	0.20
J	0.40	-
L	0.85	1.15
M	0°	10°



SOT89-3

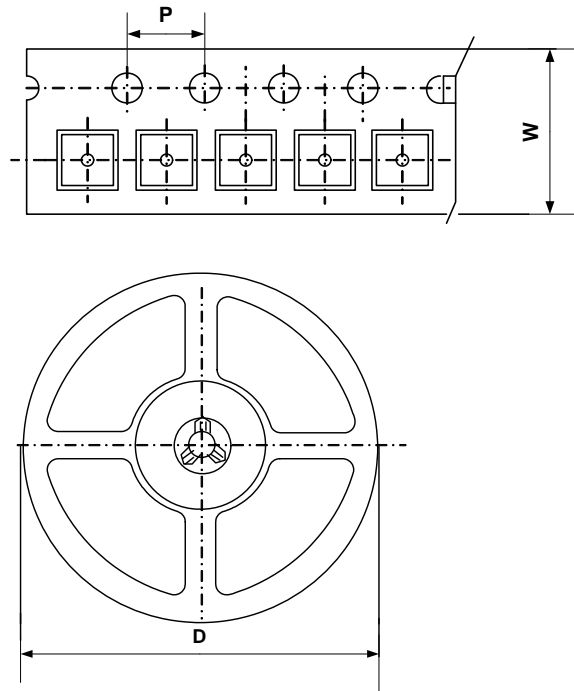


SOT23-5





■ Packing Information



Type	W(mm)	P(mm)	D(mm)	Qty (pcs)
SOT23-3	8.0±0.1 mm	4.0±0.1 mm	180±1 mm	3000pcs
SOT23-5	8.0±0.1 mm	4.0±0.1 mm	180±1 mm	3000pcs
SOT89-3	12.0±0.1 mm	4.0±0.1 mm	180±1 mm	1000pcs



IMPORTANT NOTICE

JICHI INCORPORATED MAKES NO WARRANTY OF ANY KIND, EXPRESS OR IMPLIED, WITH REGARDS TO THIS DOCUMENT, INCLUDING, BUT NOT LIMITED TO, THE IMPLIED WARRANTIES OF MERCHANTABILITY AND FITNESS FOR A PARTICULAR PURPOSE (AND THEIR EQUIVALENTS UNDER THE LAWS OF ANY JURISDICTION).

JICHI Incorporated and its subsidiaries reserve the right to make modifications, enhancements, improvements, corrections or other changes without further notice to this document and any product described herein. JICHI Incorporated does not assume any liability arising out of the application or use of this document or any product described herein; neither does JICHI Incorporated convey any license under its patent or trademark rights, nor the rights of others. Any Customer or user of this document or products described herein in such applications shall assume all risks of such use and will agree to hold JICHI Incorporated and all the companies whose products are represented on JICHI Incorporated website, harmless against all damages.

JICHI Incorporated does not warrant or accept any liability whatsoever in respect of any products purchased through unauthorized sales channel. Should Customers purchase or use JICHI Incorporated products for any unintended or unauthorized application, Customers shall indemnify and hold JICHI Incorporated and its representatives harmless against all claims, damages, expenses, and attorney fees arising out of, directly or indirectly, any claim of personal injury or death associated with such unintended or unauthorized application.

Products described herein may be covered by one or more United States, international or foreign patents pending. Product names and markings noted herein may also be covered by one or more United States, international or foreign trademarks.