



- Power the world with highest efficiency -

# 75W, MSL-75Y2



- **Input Voltage /PFC:** 90 ~ 264Vac / 0.95 (typical)
- **Output Wattage:** 75W, Constant Current – 2 channels
- Fully encapsulated with waterproof **IP67** level compliant,
- **Reliability Protections:** OVP, OTP, SCP
- **High Efficiency:** up to 89%
- **Safety Regulation:** Designed to meet with UL8750 & EN61347
- **MTBF:** 300,000 hrs @ 25°C, full load, 110Vac input
- **Lifetime:** 70,000 Hrs @ 110 Vac Input, 80% load, 25°C ambient Temp.
- **Warranty:** 5-year

Model No.	Output Voltage Range (V)	Output Current (A)	No. of Channel	OVP (Vmax.)	OTP (°C)	Efficiency (%)	Comment
MSL-T0700IC48.0-75Y2 (1)	42 - 48	0.7	2	61	110	89	
Note	(1) Designed to meet UL 8750 & EN61347 safety standard, pending to agency certifications. (2) Non-Class2 output (USR & CNR) compliant (3) Class2 output (USR), Non-Class2 output (CNR) (4) Class2 output (USA & CNR) compliant						

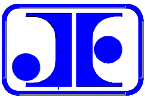
Input Specification						
Parameter	Conditions/ Description	Min.	Normal	Max.	units	
Input Voltage Range	Universal Input	90	100 - 240	264	Vac	
Input Frequency Range		47		63	Hz	
Input Current	100Vac in, full load output			1	A	
Power Factor	At 100 - 220Vac Input	0.9				
Inrush Current	At 264Vac Input, 25°C cold start			100	A	

Output Specification						
Parameter	Conditions/ Description	Min.	Normal	Max.	units	
Line Regulation				±1	%	
Load Regulation				±3	%	
Ripple and Noise	20MHz Bandwidth, refer Note-1			2	%pk-pk	
Voltage Overshoot / Under shoot	% of Vout when power turn on or off			10	%	
Turn-On Delay	Measured at 110Vac - 220Vac Input and Full Load			1 / 0.8	S	

General Specification						
Parameter	Conditions/ Description	Min.	Normal	Max.	units	
Efficiency	Refer to individual models	85		86	%	
MTBF	Telecordia SR-33, 25°C		300,000		Hours	
Operating/ Storage Temperature		-35/ -40		70 / 80	°C	
Dimension (L x W x H)		200.5 x 67.5 x 34.5 / 7.9 x 2.7 x 1.4			mm/ inch	
Weight		950			g	

Safety & EMC Compliance			
Parameter	Standard	Category	Comment
SAFETY	USA & Canada: UL 8750 Compliance to UL 1012, UL 935		Pending
	CAN/ CSA-22.2 No. 0. CSA-C22.2 No. 250.0	cUL	
	Europe: EN 61347-1, EN61347-2-13	CE	Pending
EMI	Conducted emission Test & Radiated emission Test with 6 dB margin	EN55015	Pending
EMS	Harmonic Distortion, Current Emission	EN61000-3-2	Pending
	Voltage Flicker and Fluctuation	EN61000-3-3	Pending
	Electrostatic Discharge (ESD)	EN61000-4-2	Pending
	Radiated RFI	EN61000-4-3	Pending
	Fast Transients - burst	EN61000-4-4	Pending
	Input Line Surge Immunity	EN61000-4-5	Pending
	Conducted RFI	EN61000-4-6	Pending
	Power Freq Magnetic Field	EN61000-4-8	Pending
	Voltage Dips	EN61000-4-11	Pending
	Electromagnetic Immunity Requirements Applied to Lighting Equipment	EN61547	Pending

Environmental Protection			
Parameter	Standard	Level	Comment
ROHS	European Directive 2002/ 95/ EC	Compliant	



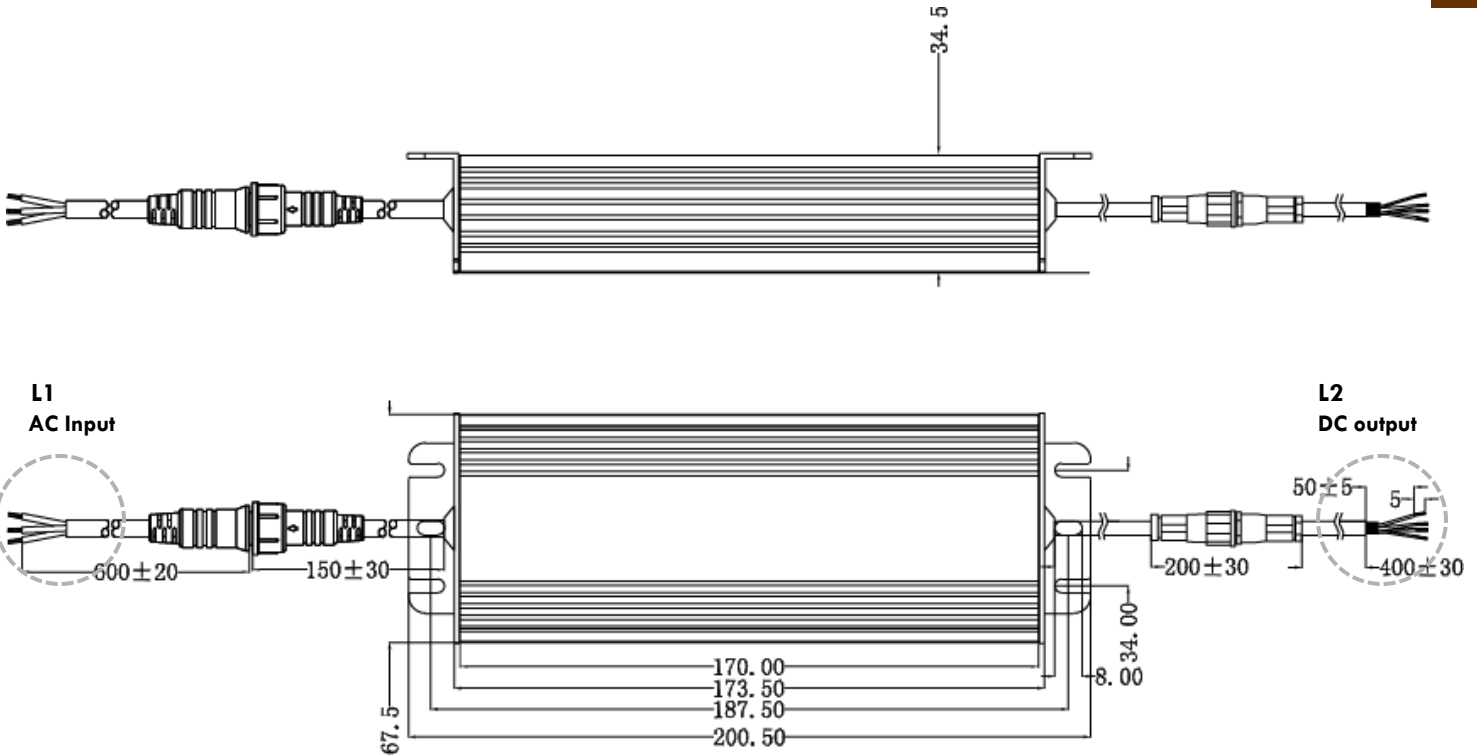
- Power the world with highest efficiency -

# 75W, MSL-75Y2

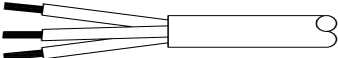
CC2C75Y

**Dimension: (L x W x H)**

- 200.5 x 67.5 x 34.5 (mm) / 7.9 x 2.7 x 1.4 (inch)
- tolerance:  $\pm 0.5$  mm

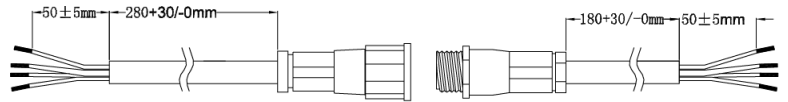


AC/L(Black)  
AC/N(White)  
FG(Green)



**Input wiring assembly – SJTW 18AWG 3C**

- White(N), Black (L), Green(G) – 200±30mm



**Output wiring assembly – SJTW 18AWG 2C**

- White(+), Black (-) / Red (+), Transparent (-) – 620±10mm

1. Datasheets are updated as needed and as such, specifications are subject to change without notice.
2. Product labels shown, including safety agency certifications on labels, may vary based on the date manufactured.
3. Mechanical drawings (model No. MSL-T0700IC48.0-75Y2) is for reference only. The cable wire configuration may vary from other custom designed models as picture showing. Please contact your sales representative for detail.
4. Specifications are for reference only. All specifications are measured at an ambient temperature of 25°C, humidity < 75%, nominal input voltage and at rated output load unless otherwise specified.