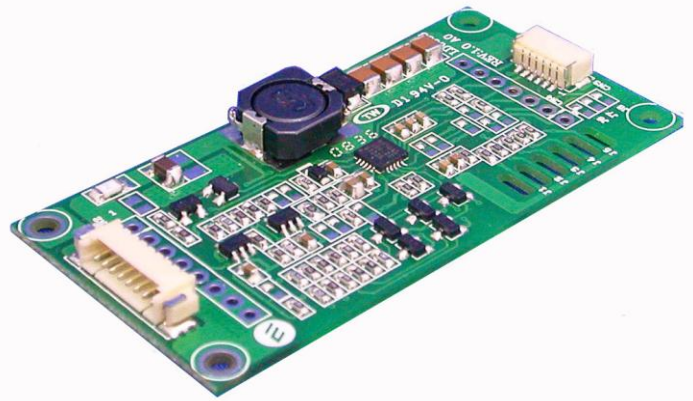
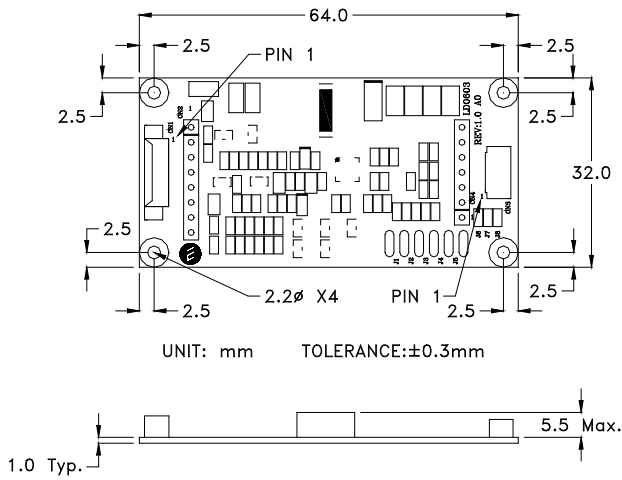


LD0603-01S



Features

- Internal Open LED Detection for every Line
- Voltage or ext. PWM Dimming
- Selectable Output Current
- Remote ON/OFF
- Wide Input Voltage Range
- RoHS compliant

Environmental

Operating temperature

-20°C to +50°C ambient

Storage temperature

-20°C to +85°C ambient

Electrical specifications

Input

- Voltage 4.75 – 13.2 Vdc
- Current 0.3 Adc Max.(AT 12V Input)
- External PWM Frequency range..150 - 300 Hz
- Efficiency..... 90% Max.

Output

- Voltage (Vo)..... 33 Vdc Max.
- Power (Po)..... 3W Max.
- Lamp current 10 mA Typ.
- Over voltage protection(OVP)
- LED over current protection(OCP)
- LED short circuit protection(SCP)

Connectors

Input connector : Molex 53261-0890 or Equiv.

Pin no.	Function
CN1-1,2	VIN
CN1-3	ON/OFF CONTROL
CN1-4	PWM CONTROL
CN1-5	DIMMING CONTROL
CN1-6,7,8	GND

Output connector : Jst SM06B-SHLS-TF or Equiv.

Pin no.	Function
CN3-1,2,3	RTN
CN3-4,5,6	LED OUTPUT



1580 North Kellogg Drive, Anaheim, CA 92807
Tel: 714-917-0749 Fax: 714-917-0786 Website: www.jasperelectronics.com