



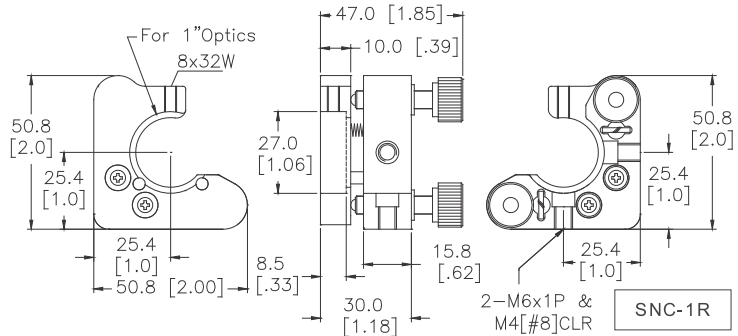
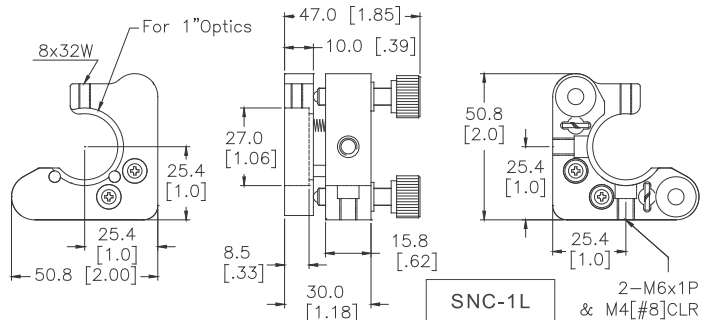
SNC-series | Stainless Steel Kinematic Mount

SNC-1L


- Tilt Range : $\pm 4^\circ$
- C opening frame design
- Features θ_x and θ_y 2-axis adjusters
- Nylon tipped setscrew to fix lens
- Exclusive 130 tpi adjusters available (alternative)
- To order Imperial model please add * I * to Item

Features

The SNC-series features C opening design which allows broader angle for beam pass through. Exclusive 130 tpi precision screw with brass sleeve for alternative option.

SNC-1R

SNC-1L


Part Number	Right Version	Adjusters	Optics Dia:	Optics Thickness	Center Height
SNC -1LF	SNC-1RF	130tpi	Ø 25 mm (1")	3~6mm	25.4mm (1")
SNC-1.5LF	SNC-1.5RF		Ø 38 mm (1.5")	4~8mm	38.1mm (1.5")
SNC-2LF	SNC-2RF		Ø 50 mm (2")	4~8mm	38.1 mm (1.5")
SNC-1L	SNC-1R	100tpi	Ø 25 mm (1")	3~6mm	25.4mm (1")
SNC-1.5L	SNC-1.5R		Ø 38 mm (1.5")	4~8mm	38.1mm (1.5")
SNC-2L	SNC-2R		Ø 50 mm (2")	4~8mm	38.1mm (1.5")

光學鏡架

Optical Table

Stage

Optics Mounts

● Stainless Steel Kinematic Mount

- SNC - 1R
- SNC - 1.5R
- SNC - 2R
- SNC - 1L
- SNC - 1.5L
- SNC - 2L

Post & Component

Motion System

Educations

Laser Equipment

Lasers

Optics & Crystals