

# CM / CMR C Mount (Extensive)

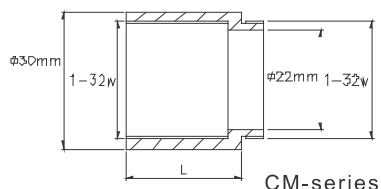


**NEW!**



- Adapted in Kinematic Mount
- Extensively adapt kinematic optic position reach upper beam path and close the original kinematic mount optic diameter.
- For 1" optic, Left or Right version. Can be applied to all C-type Kinematic mount

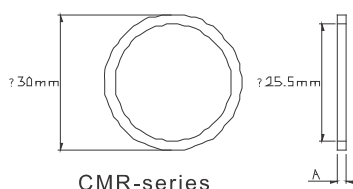
## CM-series



CM-series

Part No.	CM-05	CM-10	CM-20	CM-30	CM-40	CM-50
L(mm)	5	10	20	30	40	50

## CMR-series



CMR-series

Part No.	CMR-05	CMR-01	CMR-2
A(mm)	0.5	1	2

# BPA-1R / BPA-1L Beam Path Adaptor

**NEW!**

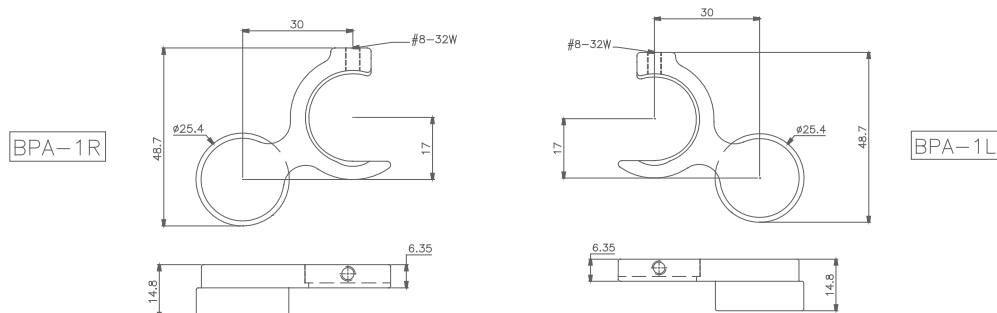


BPA-1R

BPA-1L

- Adapted in Kinematic Mount
- Extensively adapt Kinematic optic position reach upper beam path and close the original kinematic mount optic diameter
- For 1" optic, **Left & Right** version can be applied to all C-type Kinematic mount

## BPA-1R / 1L



BPA-1R

BPA-1L

光學鏡架

Optical Table

Stage

Optics Mounts

C Mount  
CM / CMR

Beam Path Adaptor  
BPA-1R  
BPA-1L

Post & Component

Motion System

Educations

Laser Equipment

Lasers

Optics & Crystals