

REVISIONS				
REV.	ECO. NO	DESCRIPTION	DATE	BY
A	1839	INITIAL RELEASE	10/31/08	JH
B	1845	UPDATE TOLERANCE BLOCK, CHANGE DIMENSIONS TO INCHES[MM]	11/7/2008	JH
C	1909	ADD 'V' PLATING, UPDATE NOTES	2/4/2009	JH

**PART NUMBER CODING**  
**SFH41-PP\_B-D\_-ID-**

**COLOR**

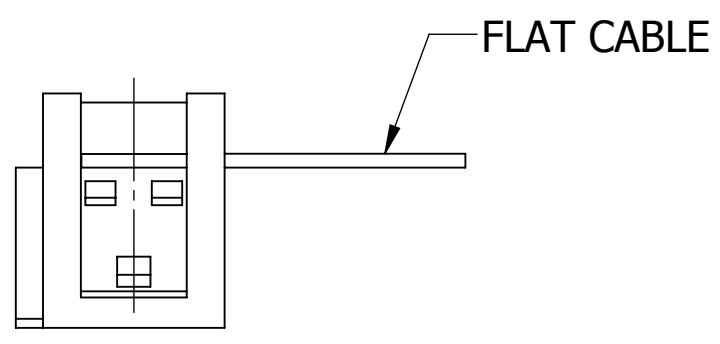
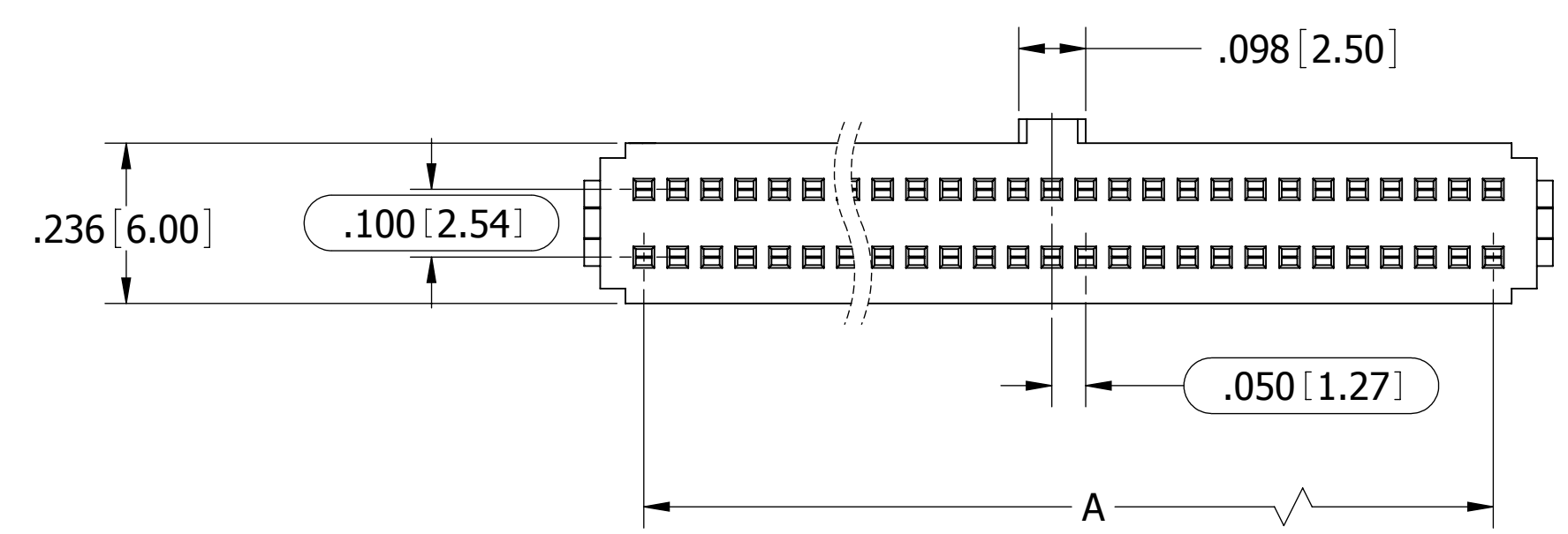
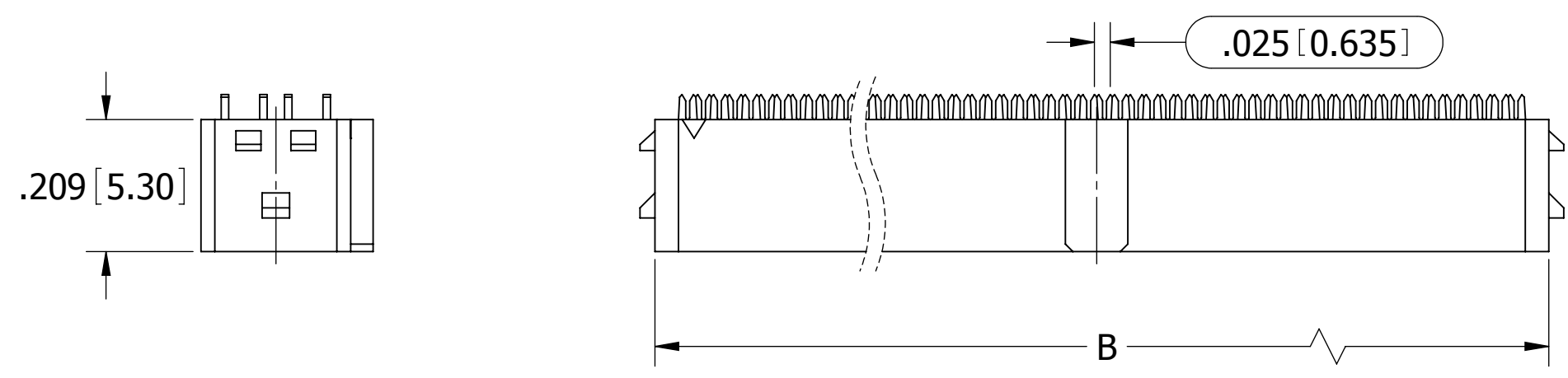
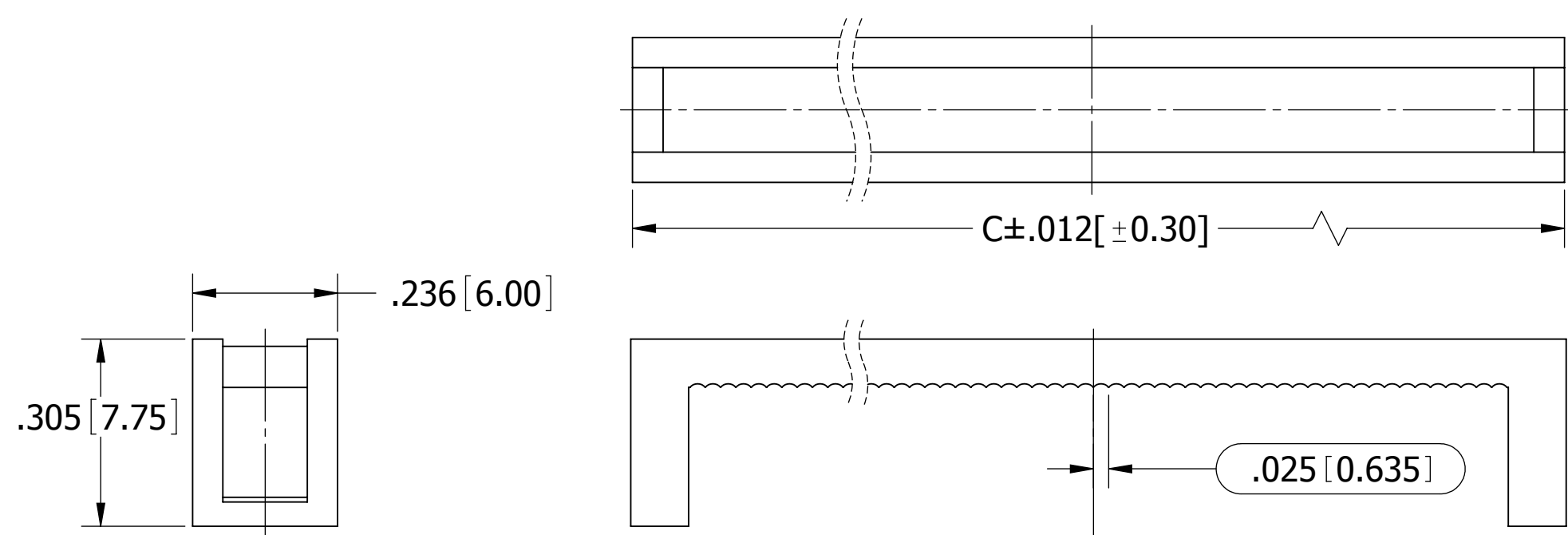
BK= BLACK  
 GY= GREY

**NUMBER OF POSITIONS**

(CONTACTS PER ROW)

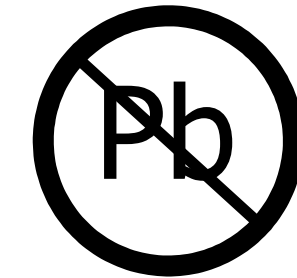
**PLATING**

P = GOLD FLASH OVERALL  
 E = .000100" PURE TIN, MATTE, OVERALL  
 V = GOLD FLASH ON CONTACT SURFACE,  
 NICKEL ON TERMINATION.



- NOTES:**
- INSULATOR MATERIAL: PBT.
  - CONTACT MATERIAL: PHOSPHOR BRONZE.
  - PLATING: SEE PART NUMBER CODING.
  - OPERATING TEMPERATURE: -40°C TO +105°C.
  - UL FLAMMABILITY RATING: 94V-0.
  - CURRENT RATING: 1 AMP PER CONTACT..
  - INSULATION RESISTANCE: 1,000M OHMS MIN.
  - DIELECTRIC WITHSTANDING: 500 VAC R.M.S. FOR ONE MINUTE.
  - CONTACT RESISTANCE: 30m OHMS MAX.
  - MATES WITH SBH41 SERIES.
  - FOR FLAT CABLE CONNECTOR.

PART NUMBER	POSITIONS/ CONTACTS	A		B		C	
		INCH	MM	INCH	MM	INCH	MM
SFH41-PP_B-D05-ID-__	05/10	0.200	5.08	0.329	8.35	0.443	11.25
SFH41-PP_B-D08-ID-__	08/16	0.350	8.89	0.479	12.16	0.593	15.06
SFH41-PP_B-D10-ID-__	10/20	0.450	11.43	0.579	14.70	0.693	17.60
SFH41-PP_B-D13-ID-__	13/26	0.600	15.24	0.729	18.51	0.843	21.41
SFH41-PP_B-D15-ID-__	15/30	0.700	17.78	0.829	21.05	0.943	23.95
SFH41-PP_B-D17-ID-__	17/34	0.800	20.32	0.929	23.59	1.043	26.49
SFH41-PP_B-D20-ID-__	20/40	0.950	24.13	1.079	27.40	1.193	30.30
SFH41-PP_B-D25-ID-__	25/50	1.200	30.48	1.329	33.75	1.443	36.65
SFH41-PP_B-D30-ID-__	30/60	1.450	36.83	1.579	40.10	1.693	43.00
SFH41-PP_B-D34-ID-__	34/68	1.650	41.91	1.779	45.18	1.893	48.08
SFH41-PP_B-D40-ID-__	40/80	1.950	49.53	2.079	52.80	2.193	55.70
SFH41-PP_B-D50-ID-__	50/100	2.450	62.23	2.579	65.50	2.693	68.40



**RoHS COMPLIANT**

UNLESS OTHERWISE SPECIFIED:  
 DIMENSIONS ARE IN INCHES[MM]  
 TOLERANCES:  
 ANGULAR: ± 30'  
 .XX = ± .012 [0.30]  
 .XXX = ± .008 [0.20]  
 .XXXX = ± .004 [0.10]  
 SURFACE FINISH: 63 R<sub>a</sub>  
 REMOVE ALL BURRS AND SHARP EDGES .010 MAX

INTERPRET DIMENSIONS AND GEOMETRIC TOLERANCING PER: ANSI Y14.5M-1994

DRAWN	DATE	NAME
JH	11/06/08	JH

THE INFORMATION HEREIN CONTAINS PROPRIETARY INFORMATION OF SULLINS ELECTRONICS AND IS NOT TO BE REPRODUCED, USED OR DISCLOSED TO OTHERS FOR ANY PURPOSE EXCEPT AS SPECIFICALLY AUTHORIZED IN WRITING BY AN OFFICER OF SULLINS ELECTRONICS.

**SULLINS**  
CONNECTOR SOLUTIONS

DESCRIPTION: HEADER FEMALE, .050X.100[1.27X2.54]CC

PART NUMBER: SFH41-PP\_B-D\_-ID-\_\_

SIZE	DWG. NO.	REV
C	11166	C

SCALE: NTS SHEET 1 OF 1