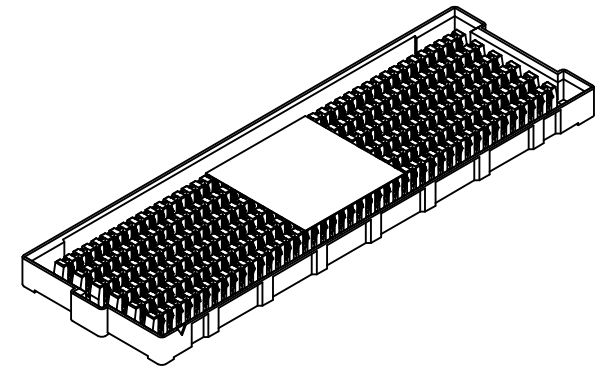


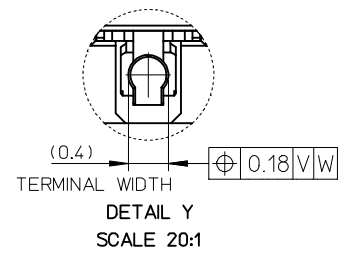
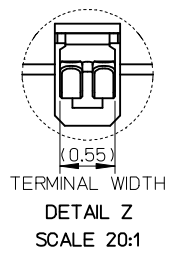
番号 No.	部品 PART	材質 MATERIAL
①	レセプタクル ハウジング RECEPTACLE HOUSING	液晶ポリマー、UL94V-0、黒色 LIQUID CRYSTAL POLYMER (LCP), UL94V-0, COLOR:BLACK
②	レセプタクル ターミナル RECEPTACLE TERMINAL	銅合金 COPPER ALLOY
③	カプトンテープ KAPTON TAPE	ポリイミド POLYIMIDE



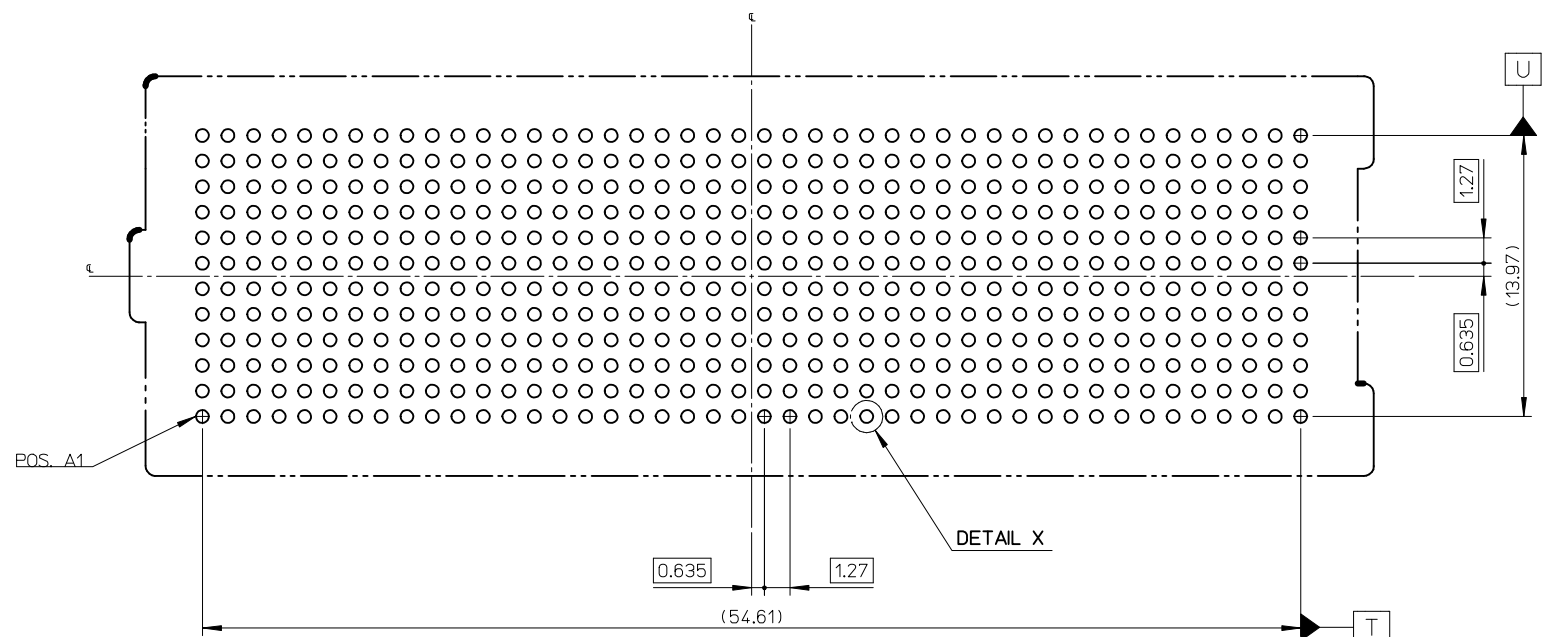
- NOTES
- メッキ仕様 PLATING
金メッキ
GOLD
下地メッキ : ニッケルメッキ
UNDER PLATING : NICKEL
 - 適合プラグ : 5038215281
APPLICABLE PLUG : 5038215281
 - テール平坦度は0.15以下
TAIL COPLANARITY TO BE 0.15 MAXIMUM.
 - ELV and RoHS COMPLIANT

5038255281	503825****
EMBOSSED PACKAGE	MODEL No.
ORDER No. オーダー番号	

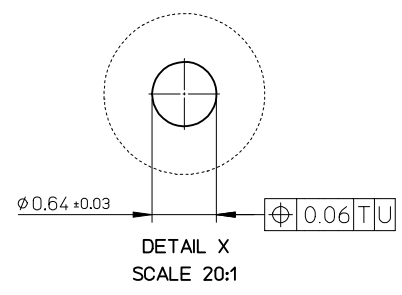
RELEASED EC NO. J2013-1305 DRW:MNISHIKAWA 2013/05/14 CHK:KCHIKANO 2013/05/14 APPR:MYAGI 2013/05/16	GENERAL TOLERANCES (UNLESS SPECIFIED)		DIMENSION STYLE MM ONLY		SCALE 2:1	DESIGN UNITS METRIC	THIRD ANGLE PROJECTION
	10 UNDER	±0.2	DRAWN BY MNISHIKAWA	DATE 2012/10/01	TITLE 1.27MM PITCH B-TO-B CONN HGT=4.0 528PIN RECEPTACLE ASSEMBLY molex DOCUMENT NO. SD-503825-002 SHEET NO. 1 OF 2		
	10 OVER 30 UNDER	±0.25	CHECKED BY KCHIKANO	DATE 2012/10/01			
	30 OVER	±0.3	APPROVED BY MYAGI	DATE 2012/10/02			
ANGULAR ±1 °		MATERIAL NO. SEE TABLE					
DRAFT WHERE APPLICABLE MUST REMAIN WITHIN DIMENSIONS		SIZE A3		THIS DRAWING CONTAINS INFORMATION THAT IS PROPRIETARY TO MOLEX INCORPORATED AND SHOULD NOT BE USED WITHOUT WRITTEN PERMISSION			



10 9 8 7 6 5 4 3 2 1



RECOMMENDED P.C.B.
PATTERN LAYOUT

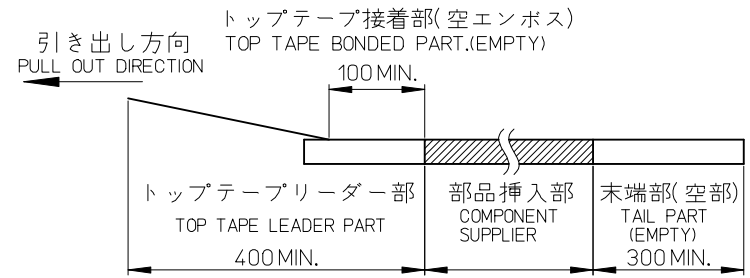
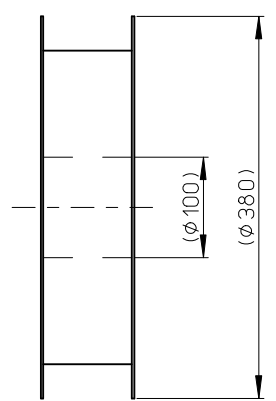
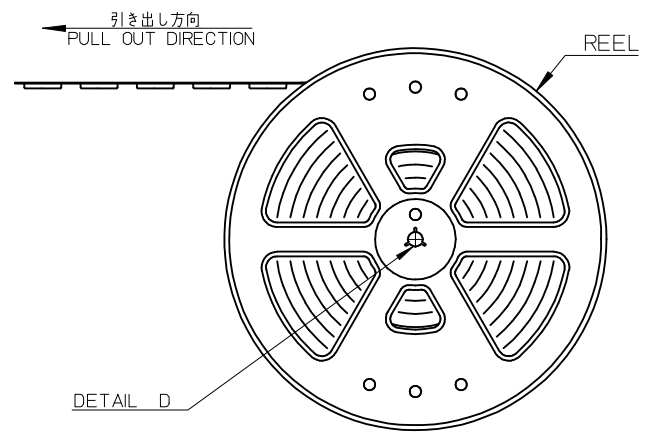


RELEASED EC NO: J2013-1305 DR/MN/ISHIKAWA 2013/05/14 CH/KD/KCHIKANO 2013/05/14 APPR:MYAGI 2013/05/16	GENERAL TOLERANCES (UNLESS SPECIFIED)		DIMENSION STYLE MM ONLY	SCALE 4:1	DESIGN UNITS METRIC	THIRD ANGLE PROJECTION
	10 UNDER	± 0.2	DRAWN BY MNISHIKAWA	DATE 2012/10/01	TITLE 1.27MM PITCH B-TO-B CONN HGT=4.0 528PIN RECEPTACLE ASSEMBLY	
	10 OVER 30 UNDER	± 0.25	CHECKED BY KCHIKANO	DATE 2012/10/01		
	30 OVER	± 0.3	APPROVED BY MYAGI	DATE 2012/10/02	molex DOCUMENT NO. SD-503825-002 SHEET NO. 2 OF 2	
ANGULAR $\pm 1^\circ$		MATERIAL NO. SEE SHEET 1				
DRAFT WHERE APPLICABLE MUST REMAIN WITHIN DIMENSIONS		SIZE A3	THIS DRAWING CONTAINS INFORMATION THAT IS PROPRIETARY TO MOLEX INCORPORATED AND SHOULD NOT BE USED WITHOUT WRITTEN PERMISSION			

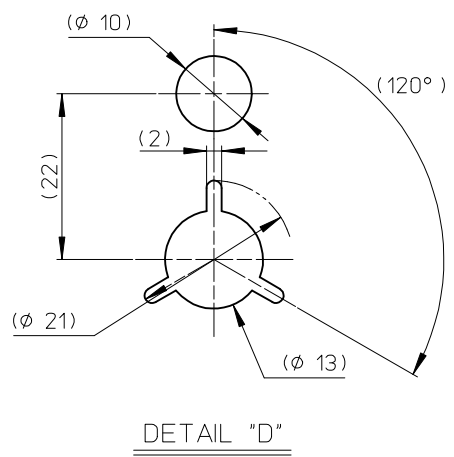
9 8 7 6 5 4 3 2

NOTES

- 製品詳細寸法については、SD 図面を参照下さい。
THE DETAIL DIMENSION REFER TO SALES DRAWING.
- 梱包数量：500 個／リール
NUMBER OF CONNECTORS : 500 PCS/REEL.
- リードテープ長さ LEAD TAPE LENGTH.

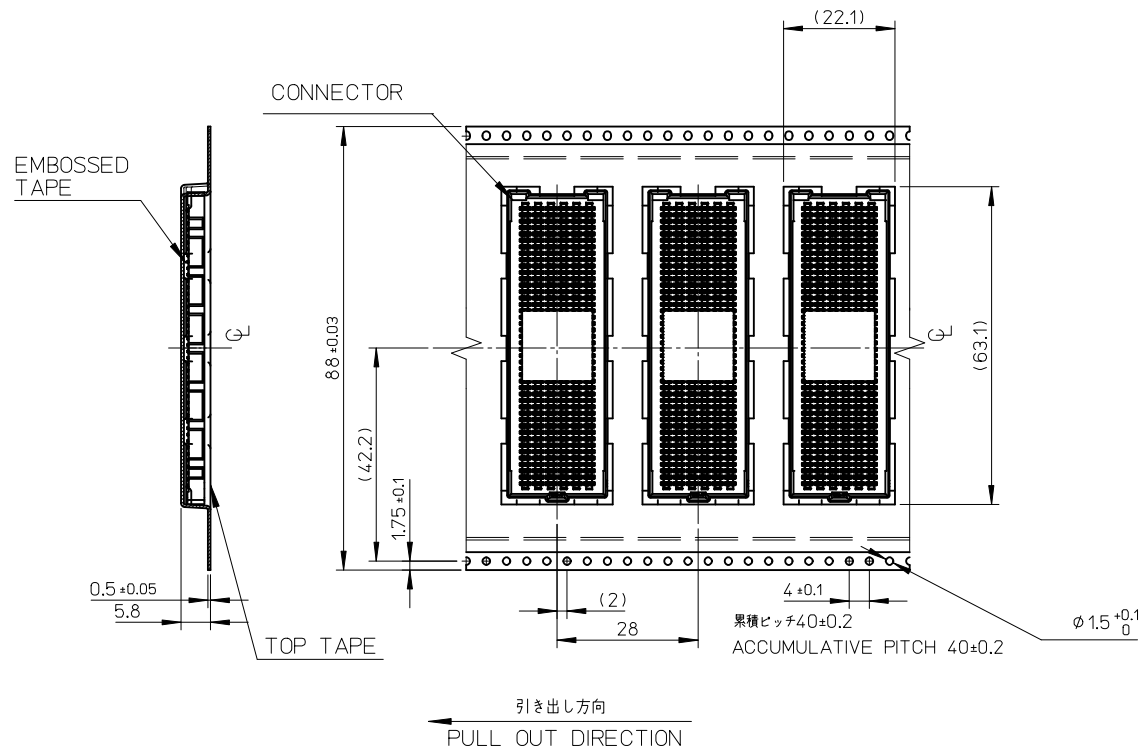


- トップテープの剥離強度については、IEC60286-3 に準拠
TOP TAPE PEEL FORCE IS DEFINED BY IEC60286-3.
- 材料 MATERIAL
 キャリアテープ (CARRIER TAPE) : ポリスチレン (POLYSTYRENE)
 トップテープ (TOP TAPE) : PET, OTHER
 リール (REEL) : ポリスチレン (PS) <リサイクル材含む>
 POLYSTYRENE (PS) <RECYCLE MATERIAL CONTAINED>
- ELV 及び RoHS 適合品
ELV AND RoHS COMPLIANT



RELEASED EC NO.: J2013-1305 DRW: MNISHIKAWA 2013/05/14 CHKD: KCHIKANO 2013/05/14 APPR: MYAGI 2013/05/16	GENERAL TOLERANCES (UNLESS SPECIFIED)		DIMENSION STYLE MM ONLY		SCALE 1:1	DESIGN UNITS METRIC	THIRD ANGLE PROJECTION
	10 UNDER	±0.2	DRAWN BY MNISHIKAWA	DATE 2012/09/27	TITLE EMBOSSD TAPE PKG FOR 1.27MMPITCH H=4.0 B-TO-B RECEPTACLE 528PIN		
	10 OVER 30 UNDER	±0.25	CHECKED BY KCHIKANO	DATE 2012/09/27			
	30 OVER	±0.3	APPROVED BY MYAGI	DATE 2012/10/02	molex DOCUMENT NO. SD-503825-003 SHEET NO. 1 OF 2		
ANGULAR ±1 °		MATERIAL NO. SEE CHART					
DRAFT WHERE APPLICABLE MUST REMAIN WITHIN DIMENSIONS		SIZE A3		THIS DRAWING CONTAINS INFORMATION THAT IS PROPRIETARY TO MOLEX INCORPORATED AND SHOULD NOT BE USED WITHOUT WRITTEN PERMISSION			

10 9 8 7 6 5 4 3 2 1



88	5038255281	528
キャリアテープ幅 CARRIER TAPE WIDTH	MATERIAL NO.	CKT.
	MODEL NO.	503825****

RELEASED EC NO.: J2013-1305 DRWN: MNISHIKAWA 2013/05/14 CHKD: KCHIKANO 2013/05/14 APPR: MYAGI 2013/05/16	GENERAL TOLERANCES (UNLESS SPECIFIED)		DIMENSION STYLE	SCALE	DESIGN UNITS	THIRD ANGLE PROJECTION	
			MM ONLY	1:1	METRIC		
	10 UNDER	±0.2	DRAWN BY	DATE	TITLE		
	10 OVER 30 UNDER	±0.25	MNISHIKAWA	2012/09/27	EMBOSSSED TAPE PKG FOR 1.27MMPITCH H=4.0 B-TO-B RECEPTACLE 528PIN		
	30 OVER	±0.3	CHECKED BY	DATE	molex		
ANGULAR ±1 °		KCHIKANO	2012/09/27				
DRAFT WHERE APPLICABLE MUST REMAIN WITHIN DIMENSIONS		APPROVED BY	DATE	MATERIAL NO.	DOCUMENT NO.	SHEET NO.	
		MYAGI	2012/10/02	SEE CHART	SD-503825-003	2 OF 2	
		THIS DRAWING CONTAINS INFORMATION THAT IS PROPRIETARY TO MOLEX INCORPORATED AND SHOULD NOT BE USED WITHOUT WRITTEN PERMISSION					

9 8 7 6 5 4 3 2