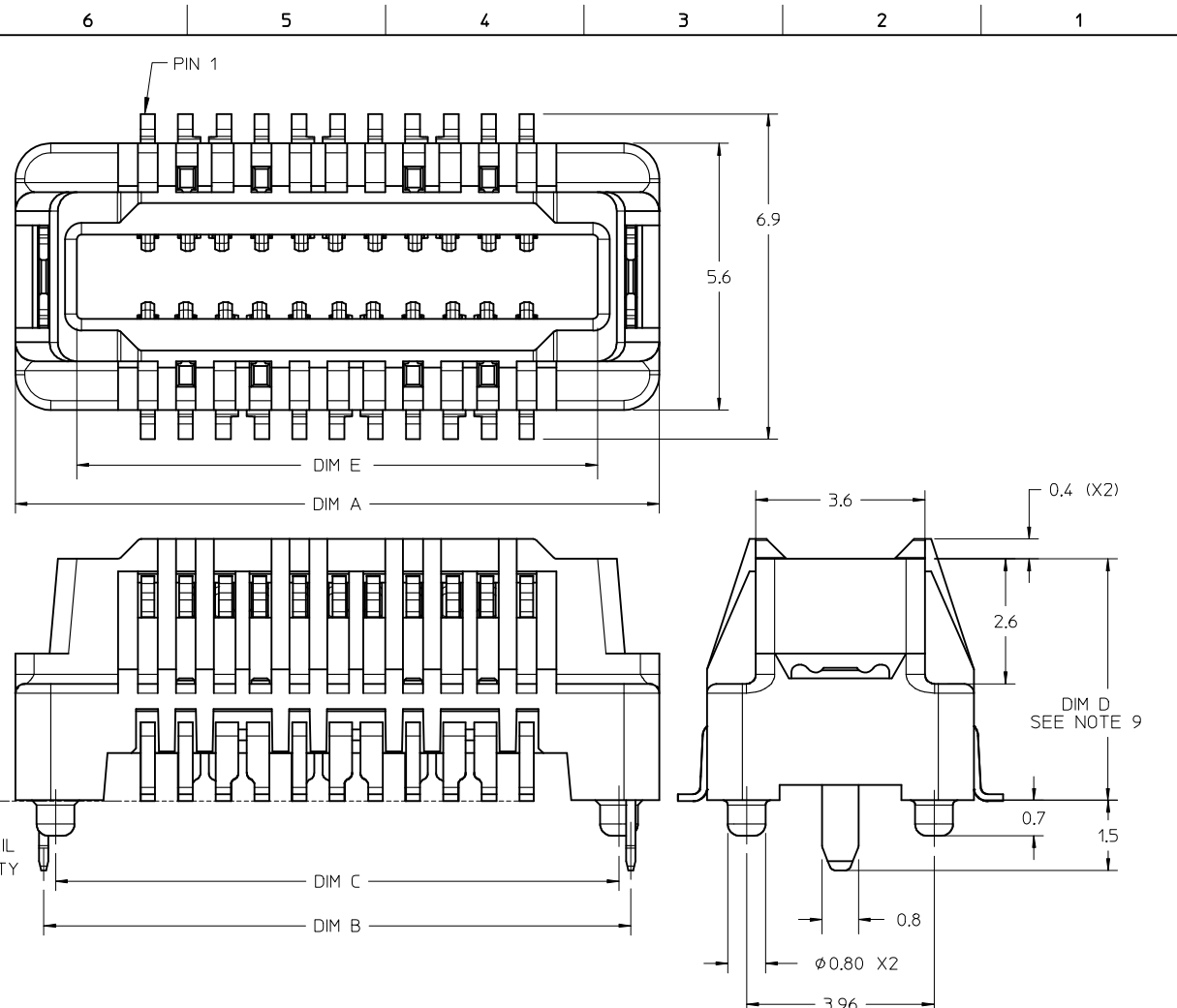


10	9	8	7	6	5	4	3	2	1
PART NUMBER	CKT SIZE	DIFF PAIRS	SPARE CKTS	DIM A	DIM B	DIM C	DIM E	DIM D	
171450-0101	22	6	2	13.6	12.40	11.90	11.0	3.10	
171450-0102								4.10	
171450-0105	60	16	8	28.8	27.60	27.10	26.2	3.10	
171450-0106								4.10	
171450-0109	120	32	16	56.8	55.60	55.10	26.2	3.10	
171450-0110								4.10	



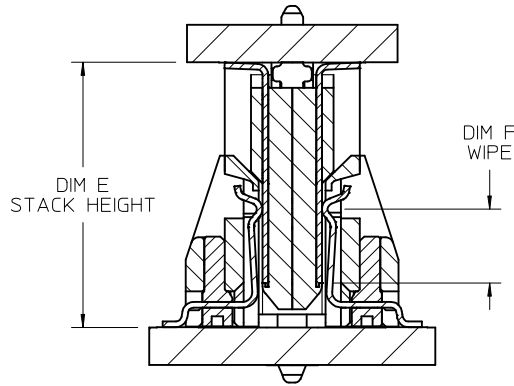
- NOTES:
1. MATERIALS: HOUSING: LCP, UL94V-0, BLACK  
CONTACTS: HIGH PERFORMANCE COPPER ALLOY
  2. FINISH: 0.76 μm MIN SELECT GOLD IN CONTACT AREA,  
SELECT TIN IN TAIL AREA, OVERALL NICKEL.
  3. PRODUCT SPECIFICATION: PS-171446-0001
  4. PACKAGING SPECIFICATION: PK-70873-6002
  5. MATES WITH SPEEDSTACK PLUG: 171446
  6. APPLICATION SPECIFICATION: TBD
  7. COSMETIC SPECIFICATION: PS-45499-002 CLASS B
  8. PART STATUS: CONTACT MOLEX
  9. DIM D ON THIS DRAWING PLUS DIM D ON DRAWING # SD-171446-0000  
EQUALS THE SYSTEM MATED STACK HEIGHT
  10. PARTS SHIPPED WITH PICK AND PLACE COVERS.

REVISED (MINOR) EC NO: UCP2014-4770 DRWN: JBINGHAM 2014/06/11 CHKD: JLAURX 2014/06/11 APPR: JLAURX 2014/06/19	QUALITY SYMBOLS	GENERAL TOLERANCES (UNLESS SPECIFIED)		DIMENSION STYLE MM ONLY		SCALE 10:1	DESIGN UNITS METRIC	THIRD ANGLE PROJECTION		
			mm	INCH	DRAWN BY TGREGORI	DATE 2013/03/25	RECEPTACLE ASSEMBLY SPEEDSTACK CONNECTOR			
		4 PLACES	± ---	± ---	CHECKED BY	DATE				
		3 PLACES	± ---	± ---	APPROVED BY JCOMERC I		DATE 2013/04/24	molex DOCUMENT NO. SD-171450-0000		
2 PLACES	± 0.13	± ---	MATERIAL NO.		DATE	SHEET NO. 1 OF 8				
1 PLACE	± 0.25	± ---	ANGULAR ± 1/2°		SEE TABLE		THIS DRAWING CONTAINS INFORMATION THAT IS PROPRIETARY TO MOLEX INCORPORATED AND SHOULD NOT BE USED WITHOUT WRITTEN PERMISSION			
0 PLACE	± ---	± ---	DRAFT WHERE APPLICABLE MUST REMAIN WITHIN DIMENSIONS		SIZE B		TM-171450-0000			

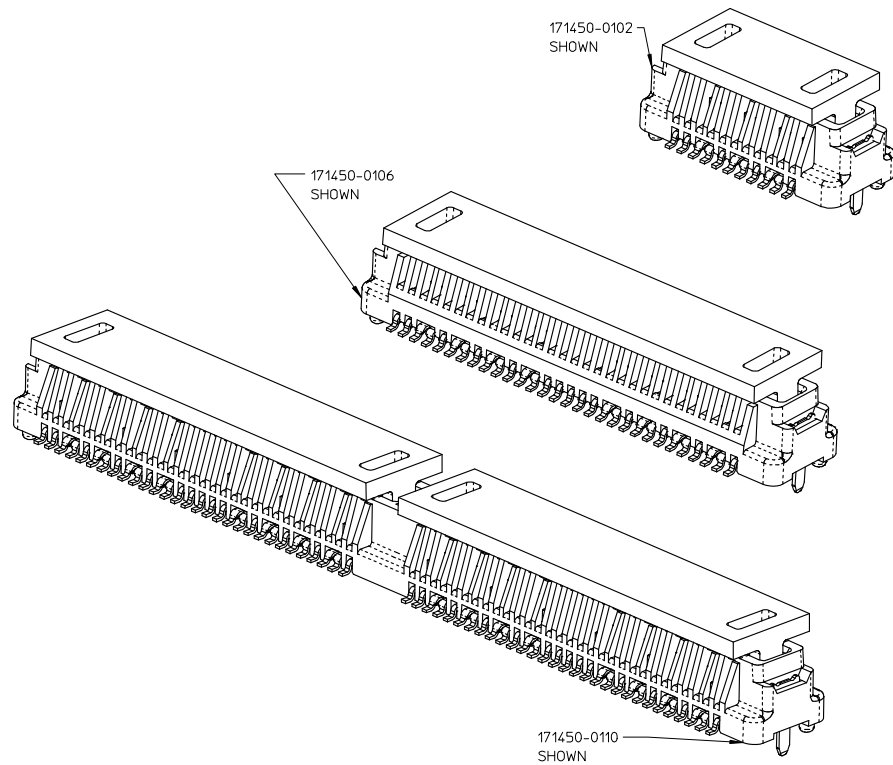
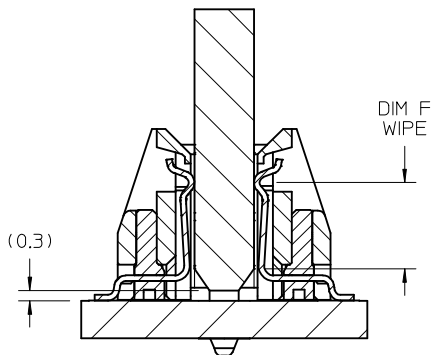
# MEZZANINE (PLUG & RECEPTACLE) STACKING CHART

		PLUG OPTIONS (1mm WIPE)				PLUG OPTIONS (2mm WIPE)					
		HEIGHT	1mm	2mm	3mm	4mm	1mm	2mm	3mm	4mm	
22 CKT	171446-0101	171446-0102	171446-0103	171446-0104	171446-0105	171446-0106	171446-0107	171446-0108			
60 CKT	171446-0109	171446-0110	171446-0111	171446-0112	171446-0113	171446-0114	171446-0115	171446-0116			
RECEPTACLE OPTIONS	22 CKT	171450-0101	3mm	4/1	5/1	6/1	7/1	N/A	N/A	N/A	N/A
	60 CKT	171450-0105									
	120 CKT	171450-0109									
	22 CKT	171450-0102	4mm	5/1	6/1	7/1	8/1	5/2	6/2	7/2	8/2
	60 CKT	171450-0106									
	120 CKT	171450-0110									
CIRCUITS	MOLEX P/N	HEIGHT	STACK HEIGHT (DIM E)/WIPE (DIM F)								

MEZZANINE APPLICATION  
(PLUG & RECEPTACLE)

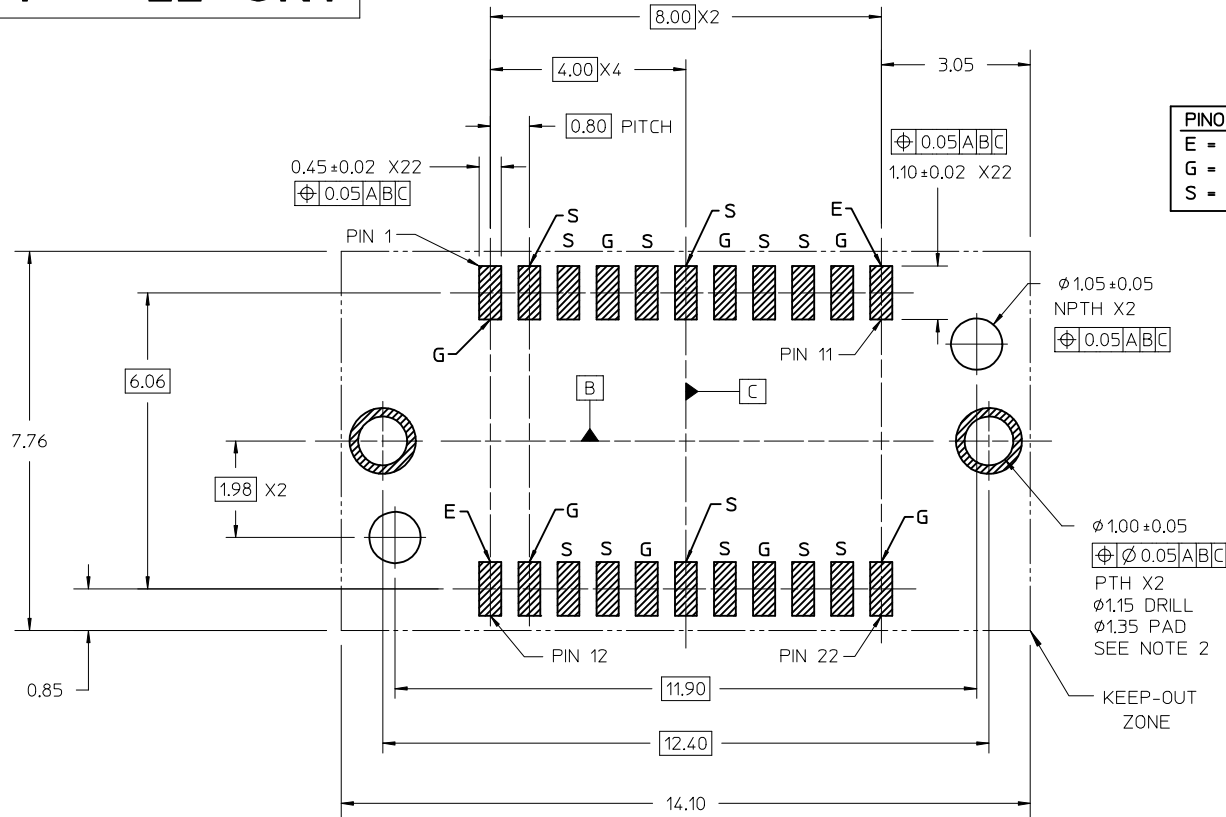


EDGE CARD APPLICATION



SEE SHEET 1 EC NO: UCP2014-4770 DRAWN: BINGHAM 2014/06/11 CHKD: LAURX 2014/06/11 APPR: LAURX 2014/06/19	QUALITY SYMBOLS ∇=0 ∇=0 ∇=0	GENERAL TOLERANCES (UNLESS SPECIFIED) <table border="1"> <tr> <th></th> <th>mm</th> <th>INCH</th> </tr> <tr> <td>4 PLACES</td> <td>± ---</td> <td>± ---</td> </tr> <tr> <td>3 PLACES</td> <td>± ---</td> <td>± ---</td> </tr> <tr> <td>2 PLACES</td> <td>± 0.13</td> <td>± ---</td> </tr> <tr> <td>1 PLACE</td> <td>± 0.25</td> <td>± ---</td> </tr> <tr> <td>0 PLACE</td> <td>± ---</td> <td>± ---</td> </tr> </table>		mm	INCH	4 PLACES	± ---	± ---	3 PLACES	± ---	± ---	2 PLACES	± 0.13	± ---	1 PLACE	± 0.25	± ---	0 PLACE	± ---	± ---	DIMENSION STYLE <b>MM ONLY</b> DRAWN BY DATE TREGOR1 2013/03/25 CHECKED BY DATE APPROVED BY DATE JCOMERC1 2013/04/24	SCALE <b>10:1</b> DESIGN UNITS METRIC THIRD ANGLE PROJECTION	TITLE <b>RECEPTACLE ASSEMBLY SPEEDSTACK CONNECTOR</b> <b>molex</b>	MATERIAL NO. <b>SEE CHART</b> DOCUMENT NO. <b>SD-171450-0000</b>	SHEET NO. 2 OF 8
		mm	INCH																						
	4 PLACES	± ---	± ---																						
	3 PLACES	± ---	± ---																						
2 PLACES	± 0.13	± ---																							
1 PLACE	± 0.25	± ---																							
0 PLACE	± ---	± ---																							
DRAFT WHERE APPLICABLE MUST REMAIN WITHIN DIMENSIONS	ANGULAR ±1/2°	THIS DRAWING CONTAINS INFORMATION THAT IS PROPRIETARY TO MOLEX INCORPORATED AND SHOULD NOT BE USED WITHOUT WRITTEN PERMISSION																							
B1	REV	SIZE C																							

# PCB LAYOUT - 22 CKT



PINOUT LEGEND	
E	= EXTRA
G	= GROUND
S	= SIGNAL

## PCB LAYOUT (COMPONENT SIDE)

SOLDER PASTE THICKNESS: 0.15 MIN  
 DATUM **A** IS THE BOTTOM SURFACE OF THE PCB

- NOTES:
- PIN NUMBERING IS FOR REFERENCE ONLY. OTHER PIN NUMBERS WILL NOT AFFECT THE OPERATION OF THE CONNECTOR.
  - RETENTION NAIL MUST BE SOLDERED ONTO THE PCB FOR PROPER CONNECTOR FUNCTION.

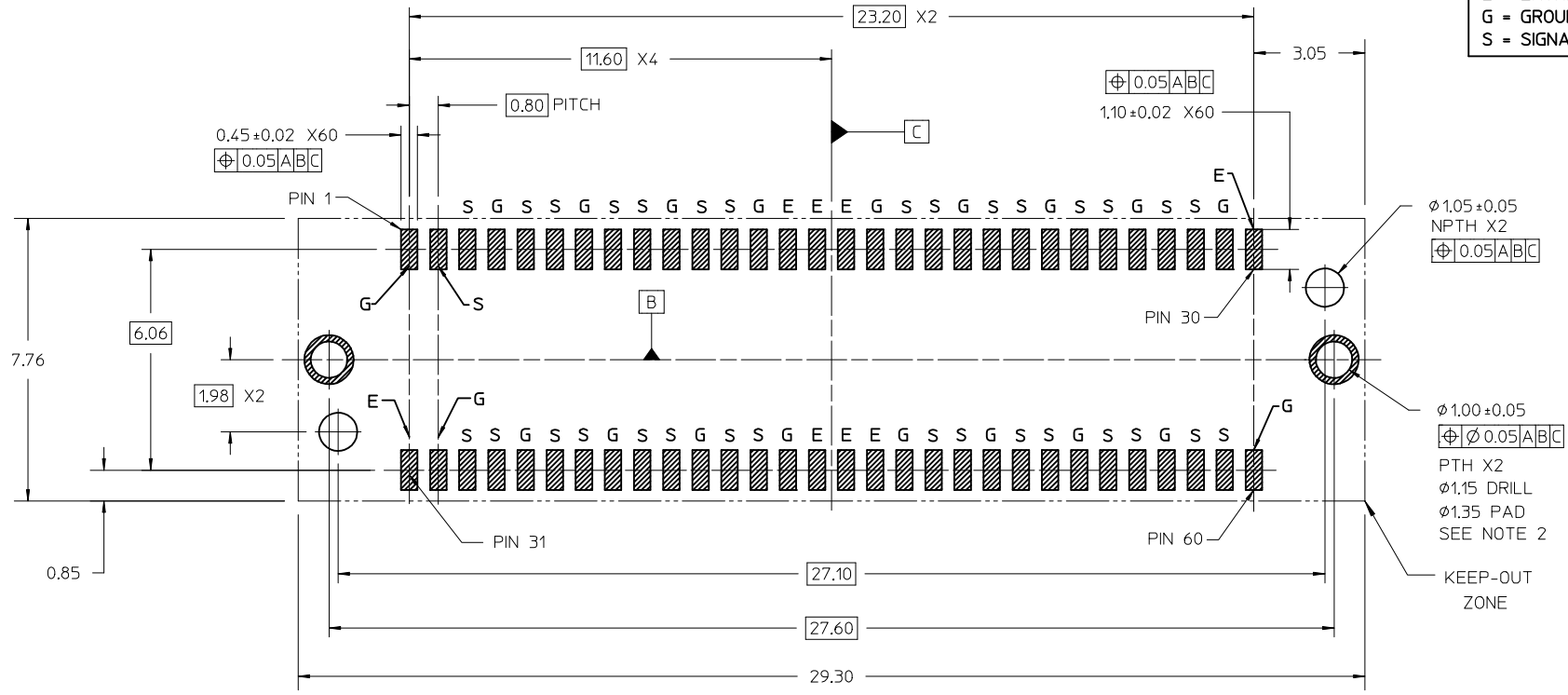
REV	DESCRIPTION	QUALITY SYMBOLS	GENERAL TOLERANCES (UNLESS SPECIFIED)		DIMENSION STYLE		SCALE	DESIGN UNITS	THIRD ANGLE PROJECTION
			mm	INCH	MM ONLY				
			4 PLACES	± ---	± ---	DRAWN BY			
3 PLACES	± ---	± ---	TGREGORI	2013/03/25					
2 PLACES	± 0.13	± ---	CHECKED BY	DATE	APPROVED BY	DATE	DOCUMENT NO.	SHEET NO.	
1 PLACE	± 0.25	± ---	JCOMERC I	2013/04/24					
0 PLACE	± ---	± ---	ANGULAR ± 1/2°		DRAFT WHERE APPLICABLE		MATERIAL NO.		THIS DRAWING CONTAINS INFORMATION THAT IS PROPRIETARY TO MOLEX INCORPORATED AND SHOULD NOT BE USED WITHOUT WRITTEN PERMISSION
			MUST REMAIN WITHIN DIMENSIONS		SIZE	SEE SHEET 1		SD-171450-0000	

RECEPTACLE ASSEMBLY  
 SPEEDSTACK  
 CONNECTOR



# PCB LAYOUT - 60 CKT

PINOUT LEGEND	
E	= EXTRA
G	= GROUND
S	= SIGNAL



## PCB LAYOUT (COMPONENT SIDE)

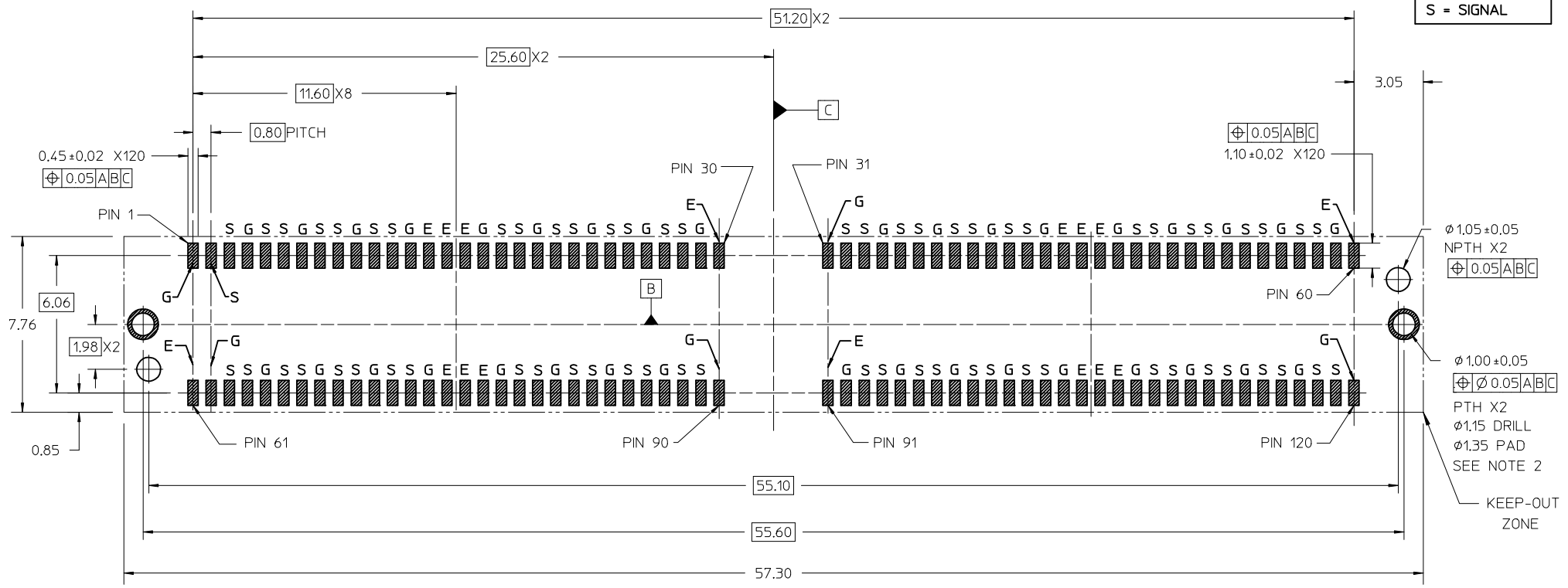
SOLDER PASTE THICKNESS: 0.15 MIN  
 DATUM [A] IS THE BOTTOM SURFACE OF THE PCB

- NOTES:
- PIN NUMBERING IS FOR REFERENCE ONLY. OTHER PIN NUMBERS WILL NOT AFFECT THE OPERATION OF THE CONNECTOR.
  - RETENTION NAIL MUST BE SOLDERED ONTO THE PCB FOR PROPER CONNECTOR FUNCTION.

SEE SHEET 1 EC NO: UCP2014-4770 DRWN: IBINGHAM 2014/06/11 CHKD: JLAURX 2014/06/11 APPR: JLAURX 2014/06/19	QUALITY SYMBOLS DESCRIPTION REV	GENERAL TOLERANCES (UNLESS SPECIFIED)		DIMENSION STYLE <b>MM ONLY</b>		SCALE <b>8:1</b>	DESIGN UNITS <b>METRIC</b>	THIRD ANGLE PROJECTION			
		4 PLACES ± --- ± ---	3 PLACES ± --- ± ---	2 PLACES ± 0.13 ± ---	1 PLACE ± 0.25 ± ---	0 PLACE ± --- ± ---	DRAWN BY TGREGORI	DATE 2013/03/25	TITLE <b>RECEPTACLE ASSEMBLY SPEEDSTACK CONNECTOR</b>		
		ANGULAR ± 1/2° DRAFT WHERE APPLICABLE MUST REMAIN WITHIN DIMENSIONS					CHECKED BY	DATE			
							APPROVED BY JCOMERCI	DATE 2013/04/24	SHEET NO. 4 OF 8		
					MATERIAL NO. <b>SEE SHEET 1</b>	THIS DRAWING CONTAINS INFORMATION THAT IS PROPRIETARY TO MOLEX INCORPORATED AND SHOULD NOT BE USED WITHOUT WRITTEN PERMISSION					

# PCB LAYOUT – 120 CKT

PINOUT LEGEND	
E	= EXTRA
G	= GROUND
S	= SIGNAL



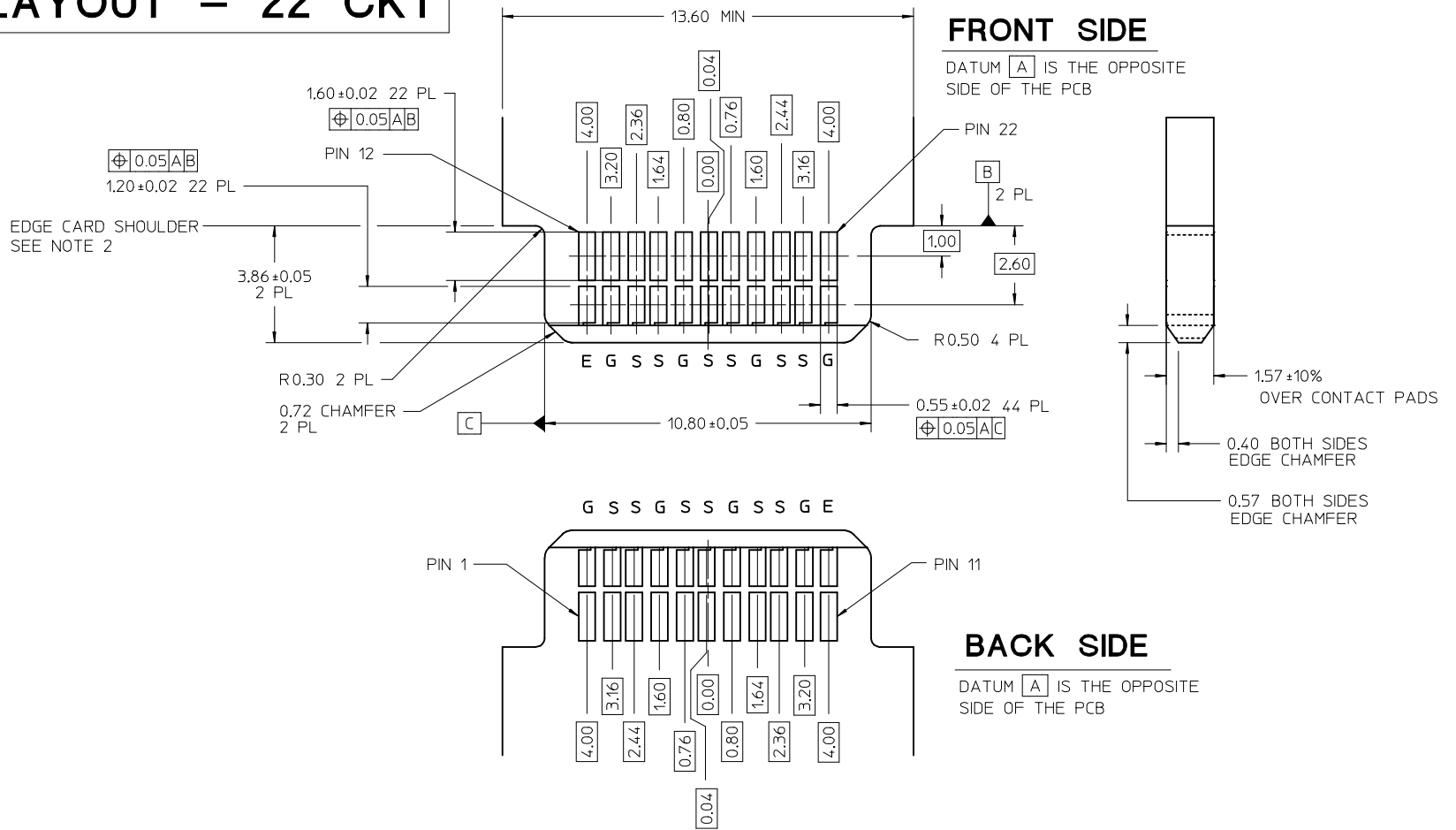
## PCB LAYOUT (COMPONENT SIDE)

SOLDER PASTE THICKNESS: 0.15 MIN  
 DATUM [A] IS THE BOTTOM SURFACE OF THE PCB

- NOTES:
- PIN NUMBERING IS FOR REFERENCE ONLY. OTHER PIN NUMBERS WILL NOT AFFECT THE OPERATION OF THE CONNECTOR.
  - RETENTION NAIL MUST BE SOLDERED ONTO THE PCB FOR PROPER CONNECTOR FUNCTION.

SEE SHEET 1 EC NO: UCP2014-4770 DRAWN: J BINGHAM CHKD: JLAURX APPR: JLAURX 2014/06/11 2014/06/11 2014/06/19	QUALITY SYMBOLS	GENERAL TOLERANCES (UNLESS SPECIFIED)	DIMENSION STYLE MM ONLY	SCALE 6:1	DESIGN UNITS METRIC	THIRD ANGLE PROJECTION	
	B1 REV		mm INCH	DRAWN BY DATE TGREGORI 2013/03/25	TITLE <b>RECEPTACLE ASSEMBLY                  SPEEDSTACK                  CONNECTOR</b> <b>molex</b>		
			4 PLACES ± --- ± ---	CHECKED BY DATE			
			3 PLACES ± --- ± ---	APPROVED BY DATE JCOMERC I 2013/04/24	DOCUMENT NO. SD-171450-0000	SHEET NO. 5 OF 8	
			2 PLACES ± 0.13 ± ---	MATERIAL NO. <b>SEE SHEET 1</b> SIZE B THIS DRAWING CONTAINS INFORMATION THAT IS PROPRIETARY TO MOLEX INCORPORATED AND SHOULD NOT BE USED WITHOUT WRITTEN PERMISSION			
		1 PLACE ± 0.25 ± ---					
	0 PLACE ± --- ± ---	ANGULAR ± 1/2° DRAFT WHERE APPLICABLE MUST REMAIN WITHIN DIMENSIONS					

# EDGE CARD LAYOUT - 22 CKT



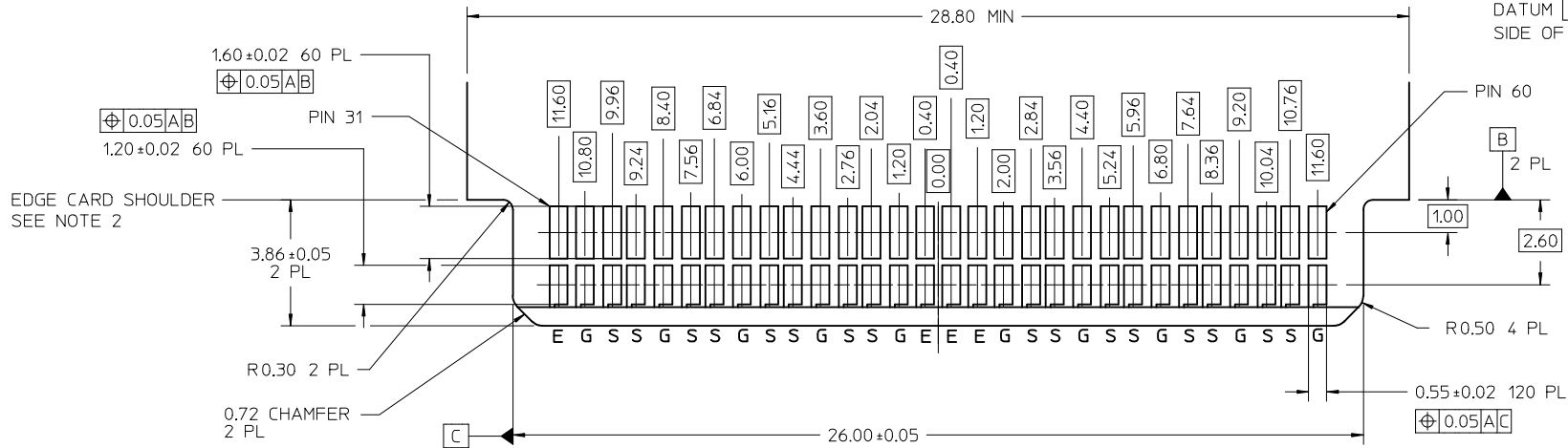
- NOTES:
- PIN NUMBERING IS FOR REFERENCE ONLY. OTHER PIN NUMBERS WILL NOT AFFECT THE OPERATION OF THE CONNECTOR.
  - EDGE CARD SHOULDERS STOP ON RECEPTACLE SHOULDERS. EDGE CARD BOTTOM DOES NOT CONTACT RECEPTACLE PCB.

SEE SHEET 1	EC NO: UCP2014-4770	2014/06/11	QUALITY SYMBOLS	GENERAL TOLERANCES (UNLESS SPECIFIED)		DIMENSION STYLE		SCALE	DESIGN UNITS	THIRD ANGLE PROJECTION	
	DRWN: JBRINGHAM	2014/06/11		mm	INCH	MM ONLY	7:1	METRIC	RECEPTACLE ASSEMBLY SPEEDSTACK CONNECTOR		
	CHKD: JLAURX	2014/06/11		4 PLACES	± ---	± ---	DRAWN BY	DATE			
	APPR: JLAURX	2014/06/19		3 PLACES	± ---	± ---	TGREGORI	2013/03/25	DOCUMENT NO. SD-171450-0000		
REV	DESCRIPTION	2 PLACES	± 0.13	± ---	CHECKED BY	DATE	SHEET NO. 6 OF 8				
B1		1 PLACE	± 0.25	± ---	APPROVED BY	DATE				THIS DRAWING CONTAINS INFORMATION THAT IS PROPRIETARY TO MOLEX INCORPORATED AND SHOULD NOT BE USED WITHOUT WRITTEN PERMISSION	
		0 PLACE	± ---	± ---	JCOMERC I	2013/04/24	SIZE B				
		ANGULAR ± 1/2° DRAFT WHERE APPLICABLE MUST REMAIN WITHIN DIMENSIONS		MATERIAL NO.		SEE SHEET 1					

# EDGECARD LAYOUT - 60 CKT

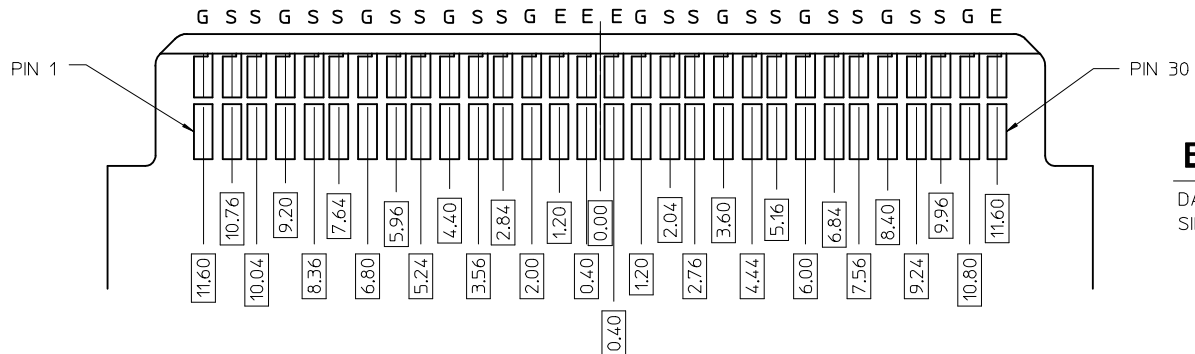
## FRONT SIDE

DATUM **A** IS THE OPPOSITE SIDE OF THE PCB



## BACK SIDE

DATUM **A** IS THE OPPOSITE SIDE OF THE PCB



### NOTES:

- PIN NUMBERING IS FOR REFERENCE ONLY. OTHER PIN NUMBERS WILL NOT AFFECT THE OPERATION OF THE CONNECTOR.
- EDGE CARD SHOULDERS STOP ON RECEPTACLE SHOULDERS. EDGE CARD BOTTOM DOES NOT CONTACT RECEPTACLE PCB.

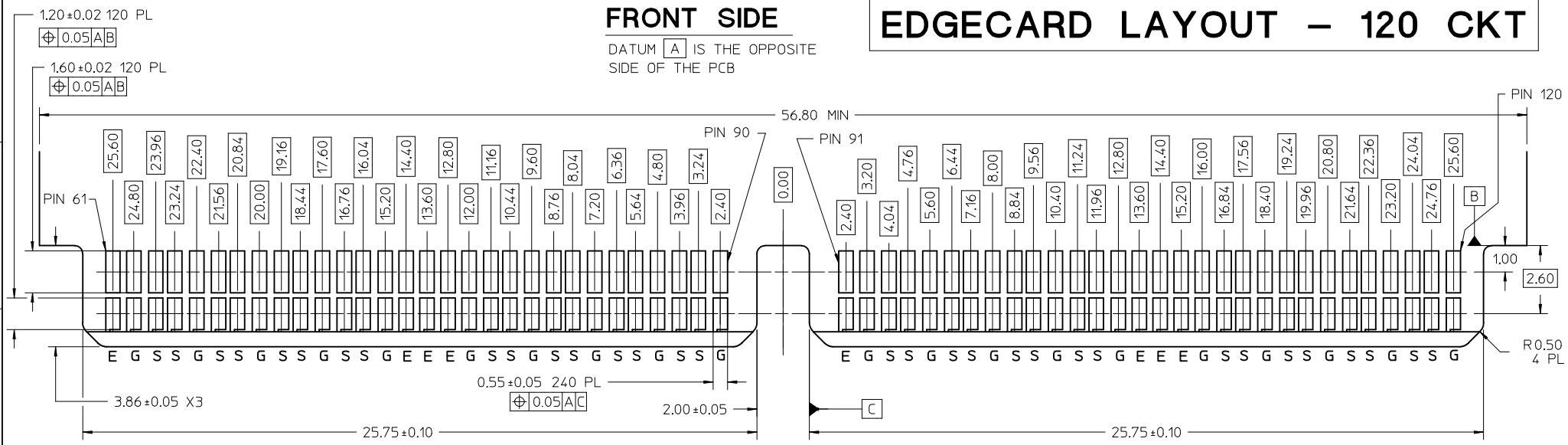
SEE SHEET 1 EC NO: UCP2014-4770 DRWN: IBINGHAM 2014/06/11 CHKD: JLAURX 2014/06/11 APPR: JLAURX 2014/06/19	QUALITY SYMBOLS	GENERAL TOLERANCES (UNLESS SPECIFIED)	DIMENSION STYLE	SCALE	DESIGN UNITS	THIRD ANGLE PROJECTION	
	$\nabla F=0$ $\nabla E=0$ $\nabla D=0$	mm      INCH 4 PLACES ± --- ± --- 3 PLACES ± --- ± --- 2 PLACES ± 0.13 ± --- 1 PLACE ± 0.25 ± --- 0 PLACE ± --- ± ---	MM ONLY	7:1	METRIC	DRAWN BY: T.GREGORI DATE: 2013/03/25 CHECKED BY: _____ DATE: _____	RECEPTACLE ASSEMBLY SPEEDSTACK CONNECTOR <b>molex</b> DOCUMENT NO. SD-171450-0000 SHEET NO. 7 OF 8
		ANGULAR ±1/2° DRAFT WHERE APPLICABLE MUST REMAIN WITHIN DIMENSIONS	APPROVED BY: J.COMERCI DATE: 2013/04/24	MATERIAL NO.			
			SEE SHEET 1				
		SIZE B	THIS DRAWING CONTAINS INFORMATION THAT IS PROPRIETARY TO MOLEX INCORPORATED AND SHOULD NOT BE USED WITHOUT WRITTEN PERMISSION				

10 9 8 7 6 5 4 3 2 1

# EDGECARD LAYOUT – 120 CKT

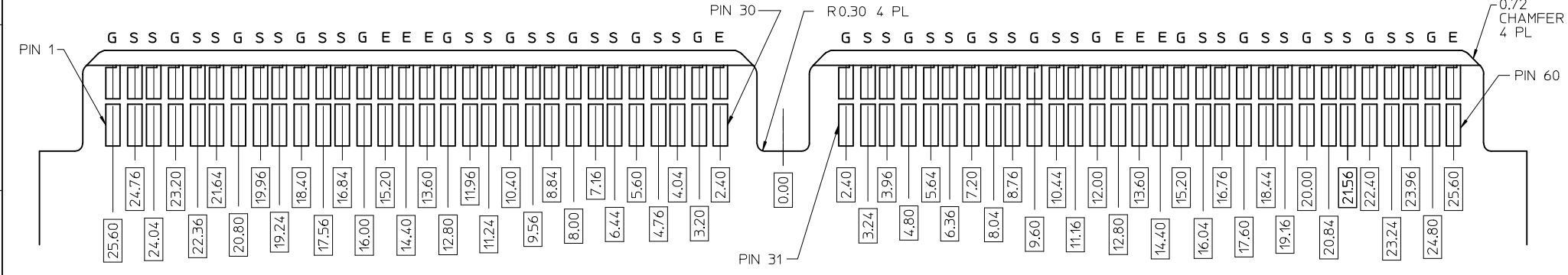
## FRONT SIDE

DATUM **A** IS THE OPPOSITE SIDE OF THE PCB



## BACK SIDE

DATUM **A** IS THE OPPOSITE SIDE OF THE PCB



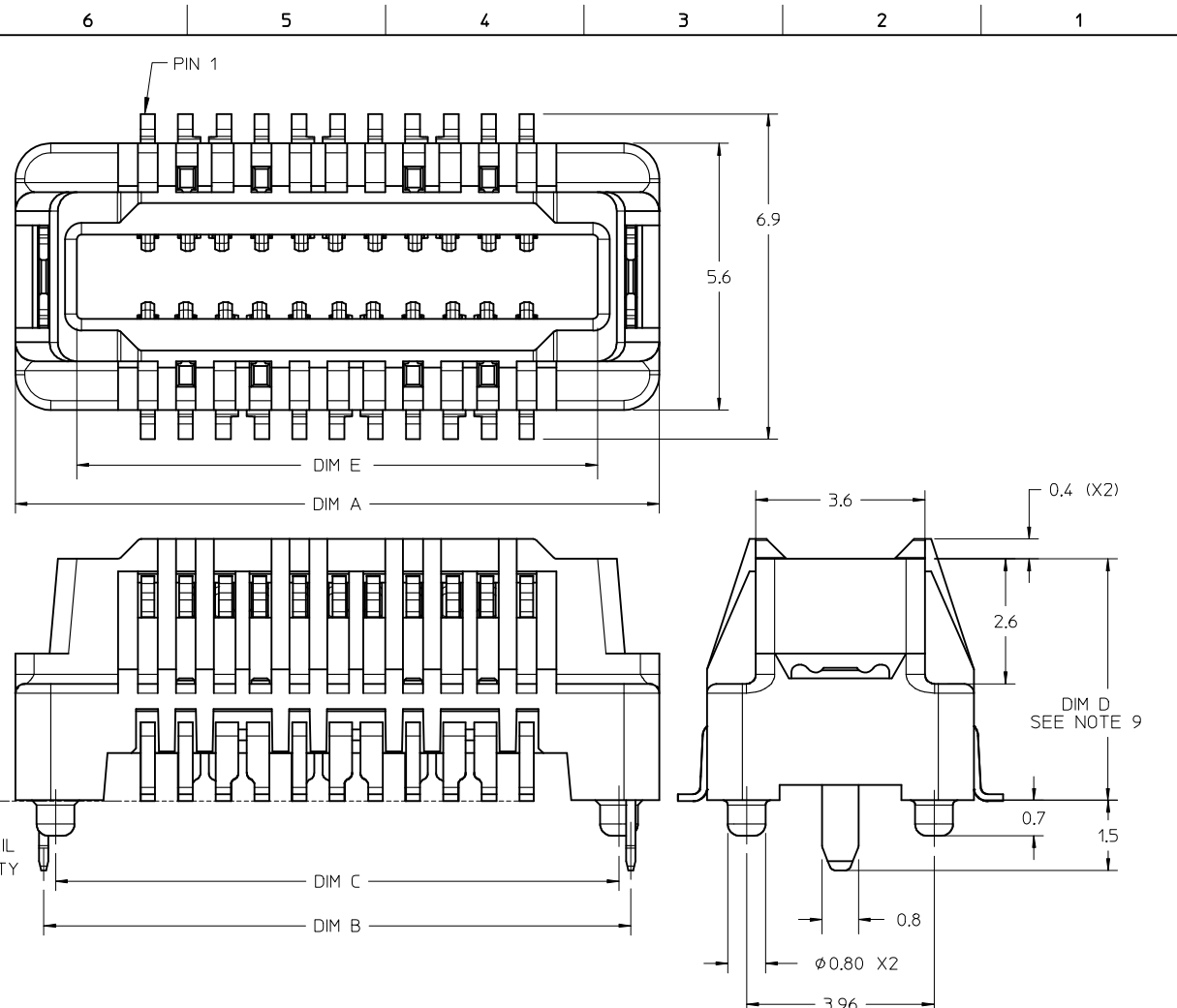
- NOTES:
- PIN NUMBERING IS FOR REFERENCE ONLY. OTHER PIN NUMBERS WILL NOT AFFECT THE OPERATION OF THE CONNECTOR.
  - EDGE CARD SHOULDERS STOP ON RECEPTACLE SHOULDERS. EDGE CARD BOTTOM DOES NOT CONTACT RECEPTACLE PCB.

SEE SHEET 1 EC NO: UCP2014-4770 DRWN: JBINGHAM 2014/06/11 CHKD: JLAURX 2014/06/11 APPR: JLAURX 2014/06/19 B1	QUALITY SYMBOLS	GENERAL TOLERANCES (UNLESS SPECIFIED)	DIMENSION STYLE	SCALE	DESIGN UNITS	THIRD ANGLE PROJECTION	
	$\nabla F=0$ $\nabla E=0$ $\nabla D=0$	mm INCH 4 PLACES ± --- ± --- 3 PLACES ± --- ± --- 2 PLACES ± 0.13 ± --- 1 PLACE ± 0.25 ± --- 0 PLACE ± --- ± ---	MM ONLY	7:1	METRIC	DRAWN BY: TGREGORI DATE: 2013/03/25 CHECKED BY: _____ DATE: _____ APPROVED BY: JCOMERC I DATE: 2013/04/24	TITLE: RECEPTACLE ASSEMBLY SPEEDSTACK CONNECTOR DOCUMENT NO: SD-171450-0000 SHEET NO: 8 OF 8
	ANGULAR ± 1/2° DRAFT WHERE APPLICABLE MUST REMAIN WITHIN DIMENSIONS	MATERIAL NO.	SEE SHEET 1	THIS DRAWING CONTAINS INFORMATION THAT IS PROPRIETARY TO MOLEX INCORPORATED AND SHOULD NOT BE USED WITHOUT WRITTEN PERMISSION			
	REV	DESCRIPTION	SIZE				

9 8 7 6 5 4 3 2 1



10	9	8	7	6	5	4	3	2	1
PART NUMBER	CKT SIZE	DIFF PAIRS	SPARE CKTS	DIM A	DIM B	DIM C	DIM E	DIM D	
171450-1101	22	6	2	13.6	12.40	11.90	11.0	3.10	
171450-1102								4.10	
171450-1105	60	16	8	28.8	27.60	27.10	26.2	3.10	
171450-1106								4.10	
171450-1109	120	32	16	56.8	55.60	55.10	26.2	3.10	
171450-1110								4.10	



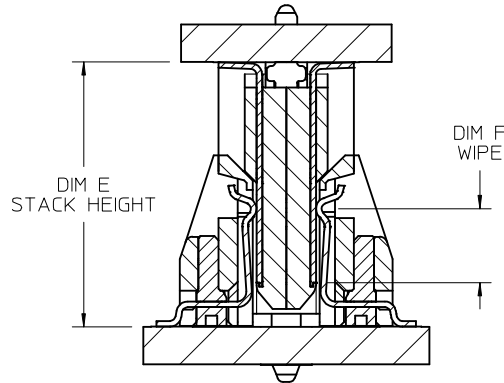
- NOTES:
1. MATERIALS: HOUSING: LCP, UL94V-0, BLACK  
CONTACTS: HIGH PERFORMANCE COPPER ALLOY
  2. FINISH: 0.76  $\mu$ m MIN SELECT GOLD IN CONTACT AREA,  
SELECT TIN IN TAIL AREA, OVERALL NICKEL.
  3. PRODUCT SPECIFICATION: PS-171446-0001
  4. PACKAGING SPECIFICATION: PK-70873-6002
  5. MATES WITH SPEEDSTACK PLUG: 171446
  6. APPLICATION SPECIFICATION: TBD
  7. COSMETIC SPECIFICATION: PS-45499-002 CLASS B
  8. PART STATUS: CONTACT MOLEX
  9. DIM D ON THIS DRAWING PLUS DIM D ON DRAWING # SD-171446-0000  
EQUALS THE SYSTEM MATED STACK HEIGHT
  10. PARTS SHIPPED WITH PICK AND PLACE COVERS.

INITIAL RELEASE EC NO: UCP2014-4770 DRWN: JBINGHAM 2014/06/11 CHKD: JLAURX 2014/06/11 APPR: JLAURX 2014/06/19	QUALITY SYMBOLS	GENERAL TOLERANCES (UNLESS SPECIFIED)		DIMENSION STYLE		SCALE	DESIGN UNITS	THIRD ANGLE PROJECTION			
				MM ONLY		10:1	METRIC				
				mm	INCH	DRAWN BY	DATE	TITLE			
						JBINGHAM	2014/06/11	RECEPTACLE ASSEMBLY SPEEDSTACK CONNECTOR			
A	REV	4 PLACES $\pm$ --- $\pm$ ---		CHECKED BY		DOCUMENT NO.					
		3 PLACES $\pm$ --- $\pm$ ---		DATE							
		2 PLACES $\pm$ 0.13 $\pm$ ---		JLAURX		SD-171450-1000					
		1 PLACE $\pm$ 0.25 $\pm$ ---		DATE							
0 PLACE $\pm$ --- $\pm$ ---		JLAURX		2014/06/19		SHEET NO.		1 OF 8			
ANGULAR $\pm$ 1/2°		DRAFT WHERE APPLICABLE		MATERIAL NO.		THIS DRAWING CONTAINS INFORMATION THAT IS PROPRIETARY TO MOLEX INCORPORATED AND SHOULD NOT BE USED WITHOUT WRITTEN PERMISSION					
		MUST REMAIN WITHIN DIMENSIONS		SEE TABLE							
				SIZE B							

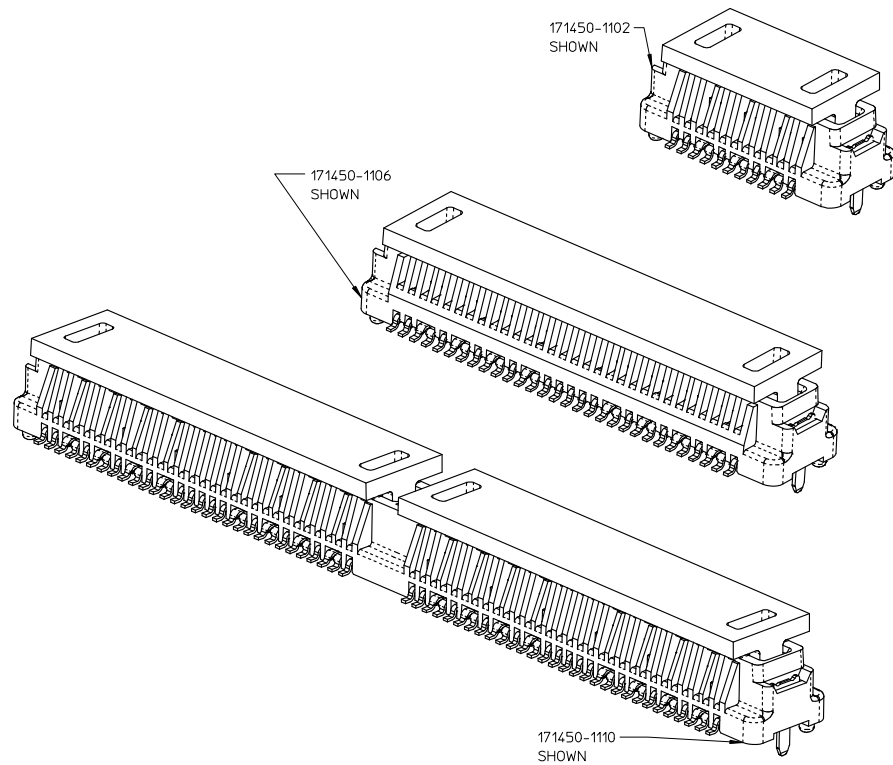
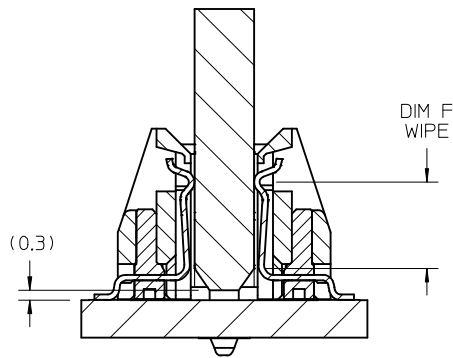
# MEZZANINE (PLUG & RECEPTACLE) STACKING CHART

		PLUG OPTIONS (1mm WIPE)				PLUG OPTIONS (2mm WIPE)					
		HEIGHT	1mm	2mm	3mm	4mm	1mm	2mm	3mm	4mm	
22 CKT	171446-0101	171446-0102	171446-0103	171446-0104	171446-0105	171446-0106	171446-0107	171446-0108			
60 CKT	171446-0109	171446-0110	171446-0111	171446-0112	171446-0113	171446-0114	171446-0115	171446-0116			
RECEPTACLE OPTIONS	22 CKT	171450-1101	3mm	4/1	5/1	6/1	7/1	N/A	N/A	N/A	N/A
	60 CKT	171450-1105									
	120 CKT	171450-1109									
	22 CKT	171450-1102	4mm	5/1	6/1	7/1	8/1	5/2	6/2	7/2	8/2
	60 CKT	171450-1106									
120 CKT	171450-1110										
CIRCUITS	MOLEX P/N	HEIGHT	STACK HEIGHT (DIM E)/WIPE (DIM F)								

MEZZANINE APPLICATION  
(PLUG & RECEPTACLE)

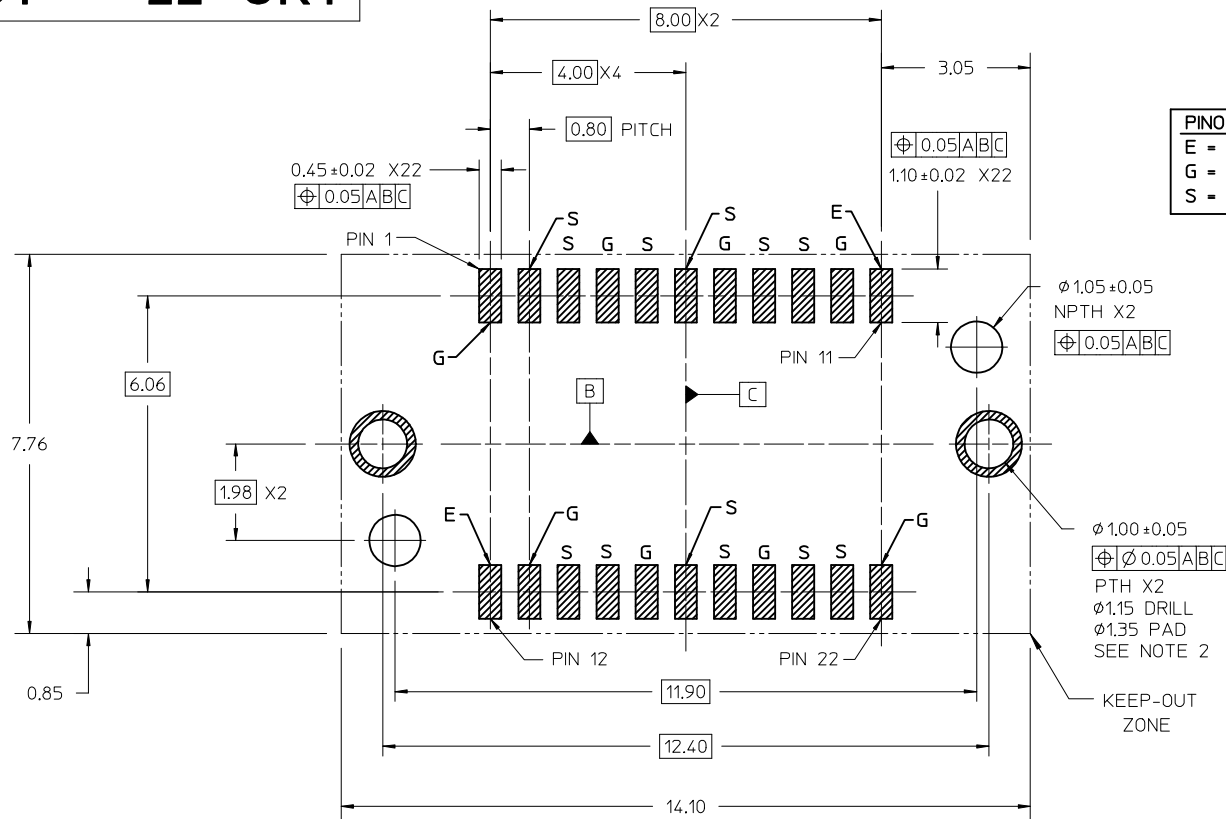


EDGE CARD APPLICATION



<b>SEE SHEET 1</b> EC NO: UCP2014-4770 DRWN: JBINGHAM 2014/06/11 CHKD: JLAURX 2014/06/11 APPR: JLAURX 2014/06/19 REV A	QUALITY SYMBOLS ▽=0 ▽=0 ▽=0	GENERAL TOLERANCES (UNLESS SPECIFIED) <table border="1"> <tr> <th></th> <th>mm</th> <th>INCH</th> </tr> <tr> <td>4 PLACES</td> <td>± ---</td> <td>± ---</td> </tr> <tr> <td>3 PLACES</td> <td>± ---</td> <td>± ---</td> </tr> <tr> <td>2 PLACES</td> <td>± 0.13</td> <td>± ---</td> </tr> <tr> <td>1 PLACE</td> <td>± 0.25</td> <td>± ---</td> </tr> <tr> <td>0 PLACE</td> <td>± ---</td> <td>± ---</td> </tr> </table>		mm	INCH	4 PLACES	± ---	± ---	3 PLACES	± ---	± ---	2 PLACES	± 0.13	± ---	1 PLACE	± 0.25	± ---	0 PLACE	± ---	± ---	DIMENSION STYLE <b>MM ONLY</b> DRAWN BY: JBINGHAM DATE: 2014/06/11 CHECKED BY: JLAURX DATE: 2014/06/11 APPROVED BY: JLAURX DATE: 2014/06/19	SCALE: 10:1 DESIGN UNITS: METRIC THIRD ANGLE PROJECTION	TITLE: RECEPTACLE ASSEMBLY SPEEDSTACK CONNECTOR <b>molex</b>	MATERIAL NO.: SEE CHART DOCUMENT NO.: SD-171450-1000 SHEET NO.: 2 OF 8
		mm	INCH																					
	4 PLACES	± ---	± ---																					
	3 PLACES	± ---	± ---																					
	2 PLACES	± 0.13	± ---																					
1 PLACE	± 0.25	± ---																						
0 PLACE	± ---	± ---																						
ANGULAR ±1/2°		DRAFT WHERE APPLICABLE MUST REMAIN WITHIN DIMENSIONS		THIS DRAWING CONTAINS INFORMATION THAT IS PROPRIETARY TO MOLEX INCORPORATED AND SHOULD NOT BE USED WITHOUT WRITTEN PERMISSION																				

# PCB LAYOUT - 22 CKT



PINOUT LEGEND	
E	= EXTRA
G	= GROUND
S	= SIGNAL

## PCB LAYOUT (COMPONENT SIDE)

SOLDER PASTE THICKNESS: 0.15 MIN  
 DATUM **A** IS THE BOTTOM SURFACE OF THE PCB

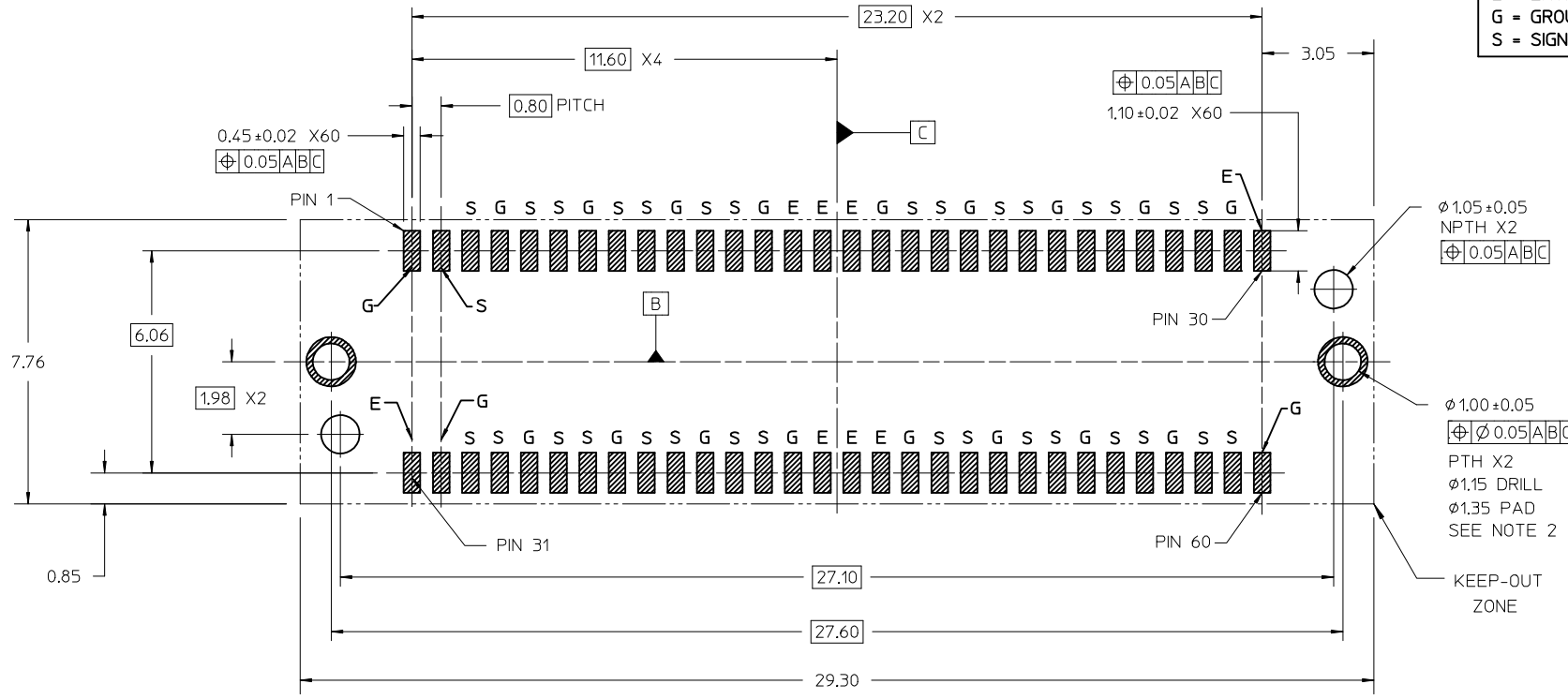
### NOTES:

- PIN NUMBERING IS FOR REFERENCE ONLY. OTHER PIN NUMBERS WILL NOT AFFECT THE OPERATION OF THE CONNECTOR.
- RETENTION NAIL MUST BE SOLDERED ONTO THE PCB FOR PROPER CONNECTOR FUNCTION.

SEE SHEET 1 EC NO: UCP2014-4770 DRWN: JBINGHAM 2014/06/11 CHKD: JLAURX 2014/06/11 APPR: JLAURX 2014/06/19	QUALITY SYMBOLS DESCRIPTION REV	GENERAL TOLERANCES (UNLESS SPECIFIED)		DIMENSION STYLE MM ONLY		SCALE 10:1	DESIGN UNITS METRIC	THIRD ANGLE PROJECTION	
		4 PLACES ± --- ± ---		DRAWN BY DATE JBINGHAM 2014/06/11		TITLE RECEPTACLE ASSEMBLY SPEEDSTACK CONNECTOR			
		3 PLACES ± --- ± ---		CHECKED BY DATE JLAURX 2014/06/11					
		2 PLACES ± 0.13 ± ---		APPROVED BY DATE JLAURX 2014/06/19		MATERIAL NO. SEE SHEET 1		DOCUMENT NO. SD-171450-1000	
1 PLACE ± 0.25 ± ---		ANGULAR ± 1/2° DRAFT WHERE APPLICABLE MUST REMAIN WITHIN DIMENSIONS		SIZE B		THIS DRAWING CONTAINS INFORMATION THAT IS PROPRIETARY TO MOLEX INCORPORATED AND SHOULD NOT BE USED WITHOUT WRITTEN PERMISSION			
0 PLACE ± --- ± ---									

# PCB LAYOUT - 60 CKT

PINOUT LEGEND	
E	= EXTRA
G	= GROUND
S	= SIGNAL



## PCB LAYOUT (COMPONENT SIDE)

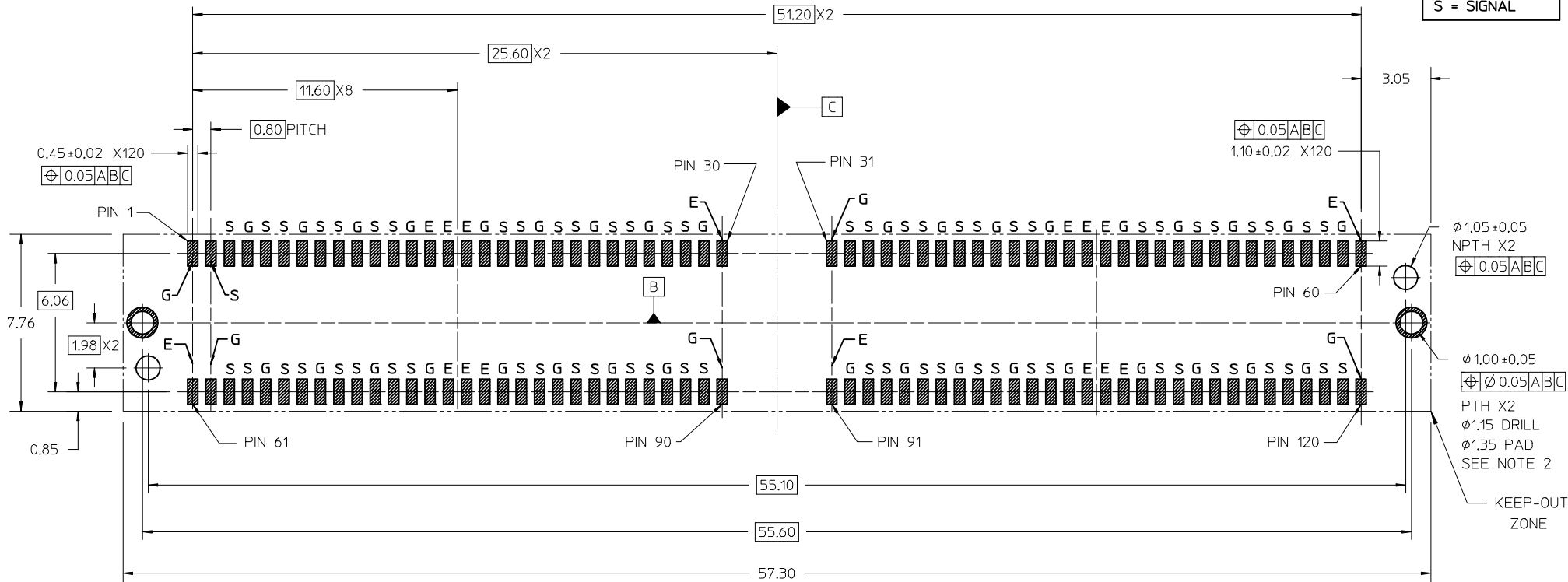
SOLDER PASTE THICKNESS: 0.15 MIN  
 DATUM [A] IS THE BOTTOM SURFACE OF THE PCB

- NOTES:
- PIN NUMBERING IS FOR REFERENCE ONLY. OTHER PIN NUMBERS WILL NOT AFFECT THE OPERATION OF THE CONNECTOR.
  - RETENTION NAIL MUST BE SOLDERED ONTO THE PCB FOR PROPER CONNECTOR FUNCTION.

SEE SHEET 1 EC NO: UCP2014-4770 DRWN: JBINGHAM 2014/06/11 CHKD: JLAURX 2014/06/11 APPR: JLAURX 2014/06/19	QUALITY SYMBOLS DESCRIPTION REV	GENERAL TOLERANCES (UNLESS SPECIFIED)		DIMENSION STYLE MM ONLY		SCALE 8:1	DESIGN UNITS METRIC	THIRD ANGLE PROJECTION		
		mm		INCH		DRAWN BY JBINGHAM		DATE 2014/06/11		RECEPTACLE ASSEMBLY SPEEDSTACK CONNECTOR <b>molex</b> DOCUMENT NO. SD-171450-1000 SHEET NO. 4 OF 8
		4 PLACES ± --- ± ---		3 PLACES ± --- ± ---		CHECKED BY JLAURX		DATE 2014/06/11		
		2 PLACES ± 0.13 ± ---		1 PLACE ± 0.25 ± ---		APPROVED BY JLAURX		DATE 2014/06/19		
		0 PLACE ± --- ± ---		ANGULAR ± 1/2°		MATERIAL NO.		DRAFT WHERE APPLICABLE MUST REMAIN WITHIN DIMENSIONS		
A		B		SEE SHEET 1		THIS DRAWING CONTAINS INFORMATION THAT IS PROPRIETARY TO MOLEX INCORPORATED AND SHOULD NOT BE USED WITHOUT WRITTEN PERMISSION				

# PCB LAYOUT - 120 CKT

PINOUT LEGEND	
E	= EXTRA
G	= GROUND
S	= SIGNAL



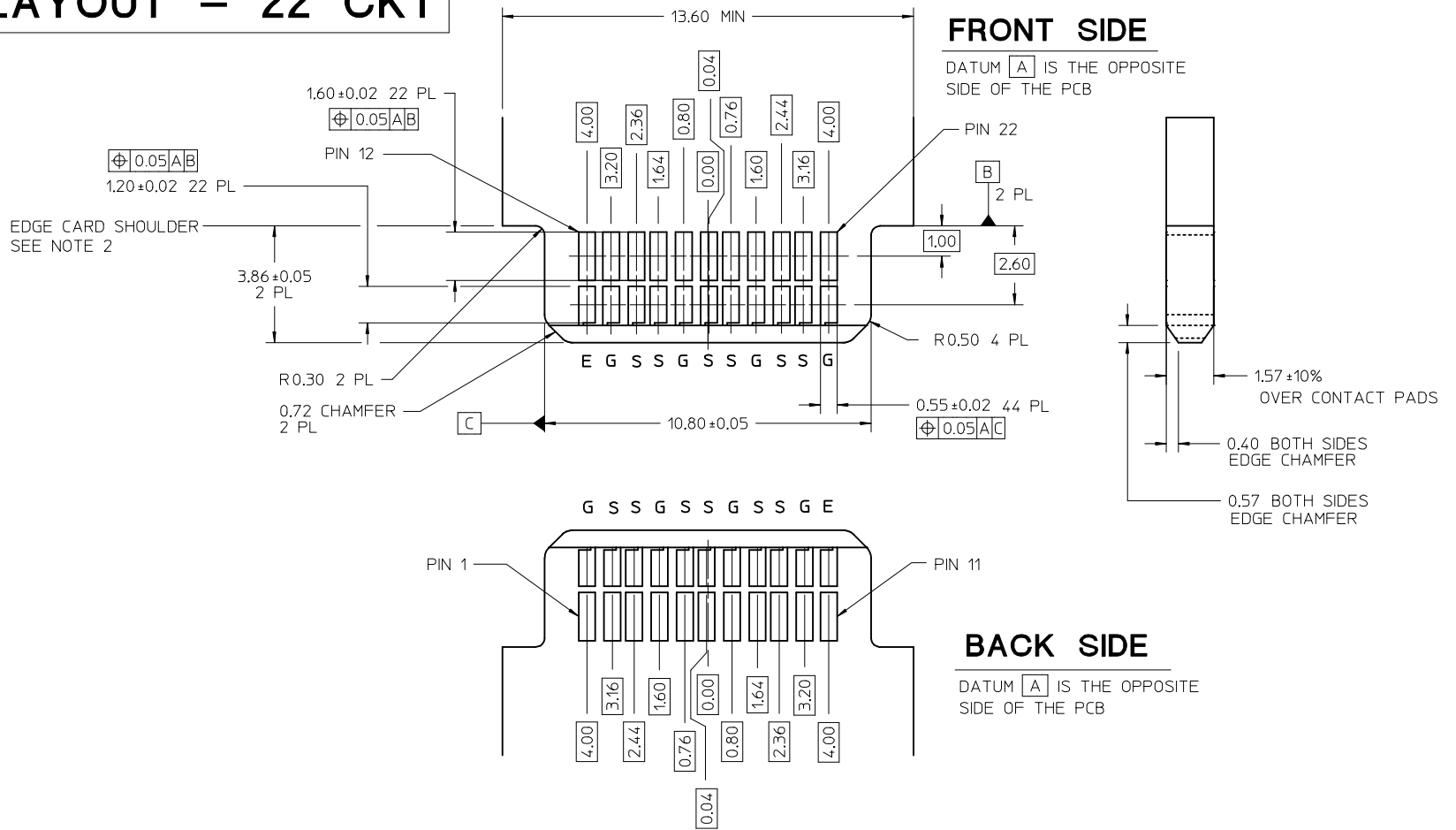
## PCB LAYOUT (COMPONENT SIDE)

SOLDER PASTE THICKNESS: 0.15 MIN  
 DATUM [A] IS THE BOTTOM SURFACE OF THE PCB

- NOTES:
- PIN NUMBERING IS FOR REFERENCE ONLY. OTHER PIN NUMBERS WILL NOT AFFECT THE OPERATION OF THE CONNECTOR.
  - RETENTION NAIL MUST BE SOLDERED ONTO THE PCB FOR PROPER CONNECTOR FUNCTION.

SEE SHEET 1 EC NO: UCP2014-4770 DRWN: JBINGHAM 2014/06/11 CHKD: JLAURX 2014/06/11 APPR: JLAURX 2014/06/19 REV A	QUALITY SYMBOLS	GENERAL TOLERANCES (UNLESS SPECIFIED)	DIMENSION STYLE MM ONLY		SCALE 6:1	DESIGN UNITS METRIC	THIRD ANGLE PROJECTION
		mm INCH	DRAWN BY JBINGHAM	DATE 2014/06/11	TITLE <b>RECEPTACLE ASSEMBLY                  SPEEDSTACK                  CONNECTOR</b>  <b>molex</b>  DOCUMENT NO. SD-171450-1000  SHEET NO. 5 OF 8		
		4 PLACES ± --- ± ---	CHECKED BY JLAURX	DATE 2014/06/11			
		3 PLACES ± --- ± ---	APPROVED BY JLAURX	DATE 2014/06/19			
		2 PLACES ± 0.13 ± ---					
	1 PLACE ± 0.25 ± ---						
	0 PLACE ± --- ± ---						
		ANGULAR ± 1/2° DRAFT WHERE APPLICABLE MUST REMAIN WITHIN DIMENSIONS	MATERIAL NO. SEE SHEET 1				
			SIZE B	THIS DRAWING CONTAINS INFORMATION THAT IS PROPRIETARY TO MOLEX INCORPORATED AND SHOULD NOT BE USED WITHOUT WRITTEN PERMISSION			

# EDGE CARD LAYOUT - 22 CKT



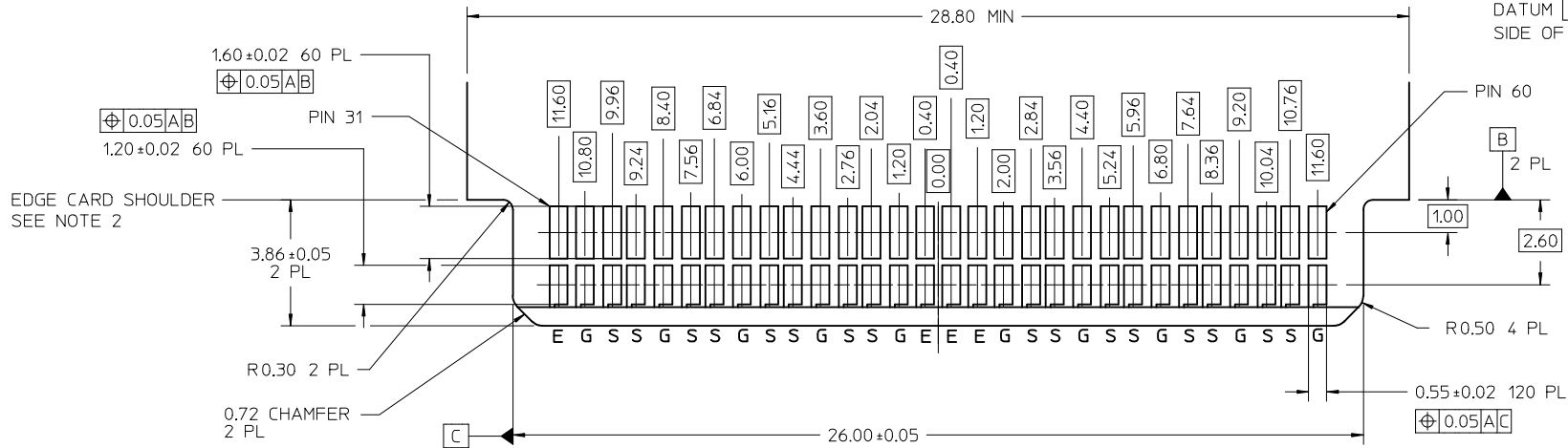
- NOTES:
- PIN NUMBERING IS FOR REFERENCE ONLY. OTHER PIN NUMBERS WILL NOT AFFECT THE OPERATION OF THE CONNECTOR.
  - EDGE CARD SHOULDERS STOP ON RECEPTACLE SHOULDERS. EDGE CARD BOTTOM DOES NOT CONTACT RECEPTACLE PCB.

SEE SHEET 1	EC NO: UCP2014-4770	QUALITY SYMBOLS	GENERAL TOLERANCES (UNLESS SPECIFIED)		DIMENSION STYLE		SCALE	DESIGN UNITS	THIRD ANGLE PROJECTION		
	DRWN: JBINGHAM 2014/06/11	$\nabla F=0$	mm	INCH	MM ONLY		7:1	METRIC	RECEPTACLE ASSEMBLY SPEEDSTACK CONNECTOR		
	CHKD: JLAURX 2014/06/11	$\nabla E=0$	4 PLACES	± ---	± ---	DRAWN BY	DATE	TITLE			
	APPR: JLAURX 2014/06/19	$\nabla F=0$	3 PLACES	± ---	± ---	JBINGHAM	2014/06/11	DATE	DATE		
REV A	DESCRIPTION	$\nabla E=0$	2 PLACES	± 0.13	± ---	JLAURX	2014/06/11	APPROVED BY	DATE	DOCUMENT NO. SD-171450-1000	SHEET NO. 6 OF 8
		$\nabla F=0$	1 PLACE	± 0.25	± ---	JLAURX	2014/06/19	MATERIAL NO.			
			ANGULAR ± 1/2° DRAFT WHERE APPLICABLE MUST REMAIN WITHIN DIMENSIONS		SEE SHEET 1		THIS DRAWING CONTAINS INFORMATION THAT IS PROPRIETARY TO MOLEX INCORPORATED AND SHOULD NOT BE USED WITHOUT WRITTEN PERMISSION				

# EDGECARD LAYOUT - 60 CKT

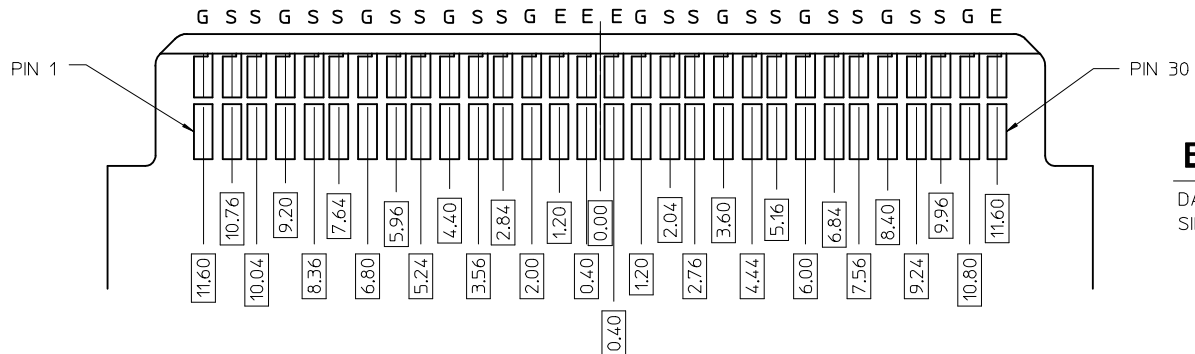
## FRONT SIDE

DATUM **A** IS THE OPPOSITE SIDE OF THE PCB



## BACK SIDE

DATUM **A** IS THE OPPOSITE SIDE OF THE PCB



### NOTES:

- PIN NUMBERING IS FOR REFERENCE ONLY. OTHER PIN NUMBERS WILL NOT AFFECT THE OPERATION OF THE CONNECTOR.
- EDGE CARD SHOULDERS STOP ON RECEPTACLE SHOULDERS. EDGE CARD BOTTOM DOES NOT CONTACT RECEPTACLE PCB.

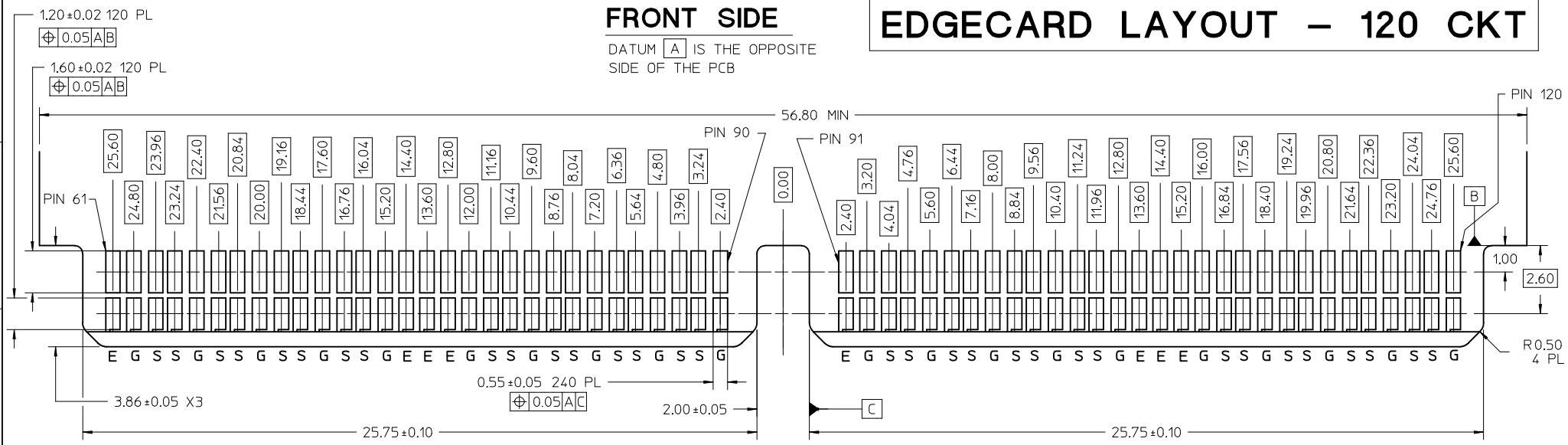
<b>SEE SHEET 1</b> EC NO: UCP2014-4770 DRWN: JBINGHAM 2014/06/11 CHKD: JLAURX 2014/06/11 APPR: JLAURX 2014/06/19 REV: A	QUALITY SYMBOLS ▽=0 ▽=0 ▽=0	GENERAL TOLERANCES (UNLESS SPECIFIED) mm INCH 4 PLACES ± --- ± --- 3 PLACES ± --- ± --- 2 PLACES ± 0.13 ± --- 1 PLACE ± 0.25 ± --- 0 PLACE ± --- ± ---	DIMENSION STYLE MM ONLY	SCALE 7:1	DESIGN UNITS METRIC	THIRD ANGLE PROJECTION
	DRAWN BY DATE JBINGHAM 2014/06/11		TITLE RECEPTACLE ASSEMBLY SPEEDSTACK CONNECTOR		MATERIAL NO. DOCUMENT NO. SHEET NO. SEE SHEET 1 SD-171450-1000 7 OF 8	
	CHECKED BY DATE JLAURX 2014/06/11		APPROVED BY DATE JLAURX 2014/06/19		THIS DRAWING CONTAINS INFORMATION THAT IS PROPRIETARY TO MOLEX INCORPORATED AND SHOULD NOT BE USED WITHOUT WRITTEN PERMISSION	
	ANGULAR ± 1/2° DRAFT WHERE APPLICABLE MUST REMAIN WITHIN DIMENSIONS					

10 9 8 7 6 5 4 3 2 1

# EDGECARD LAYOUT – 120 CKT

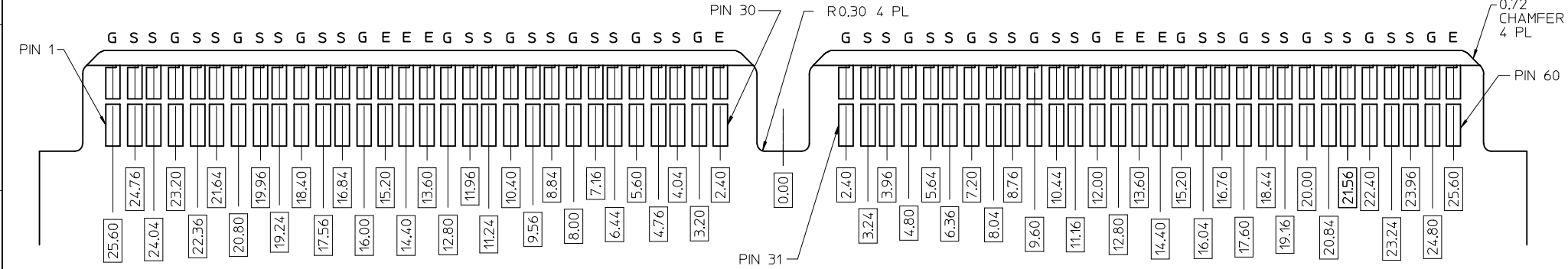
## FRONT SIDE

DATUM **A** IS THE OPPOSITE SIDE OF THE PCB



## BACK SIDE

DATUM **A** IS THE OPPOSITE SIDE OF THE PCB



- NOTES:
- PIN NUMBERING IS FOR REFERENCE ONLY. OTHER PIN NUMBERS WILL NOT AFFECT THE OPERATION OF THE CONNECTOR.
  - EDGE CARD SHOULDERS STOP ON RECEPTACLE SHOULDERS. EDGE CARD BOTTOM DOES NOT CONTACT RECEPTACLE PCB.

SEE SHEET 1 EC NO: UCP2014-4770 DRWN: JBINGHAM CHKD: JLAURX APPR: JLAURX	2014/06/11 2014/06/11 2014/06/11	DESCRIPTION REV	QUALITY SYMBOLS	GENERAL TOLERANCES (UNLESS SPECIFIED)	DIMENSION STYLE	SCALE	DESIGN UNITS	THIRD ANGLE PROJECTION			
			$\nabla F=0$ $\nabla E=0$ $\nabla D=0$	mm      INCH 4 PLACES ± --- ± --- 3 PLACES ± --- ± --- 2 PLACES ± 0.13 ± --- 1 PLACE ± 0.25 ± --- 0 PLACE ± --- ± ---	MM ONLY	7:1	METRIC	DRAWN BY: JBINGHAM CHECKED BY: JLAURX APPROVED BY: JLAURX	DATE: 2014/06/11 DATE: 2014/06/11 DATE: 2014/06/19	TITLE: RECEPTACLE ASSEMBLY SPEEDSTACK CONNECTOR MATERIAL NO.: SEE SHEET 1 DOCUMENT NO.: SD-171450-1000	SHEET NO.: 8 OF 8
			ANGULAR ± 1/2° DRAFT WHERE APPLICABLE MUST REMAIN WITHIN DIMENSIONS	THIS DRAWING CONTAINS INFORMATION THAT IS PROPRIETARY TO MOLEX INCORPORATED AND SHOULD NOT BE USED WITHOUT WRITTEN PERMISSION							

9 8 7 6 5 4 3 2 1