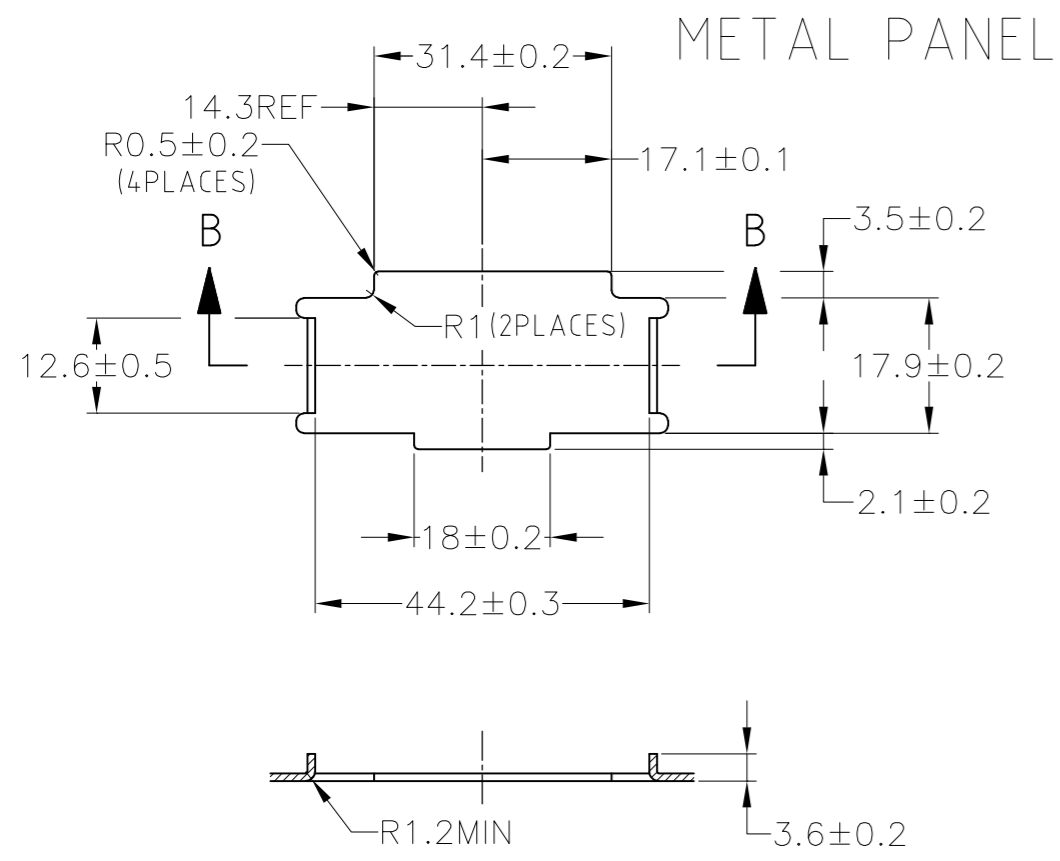


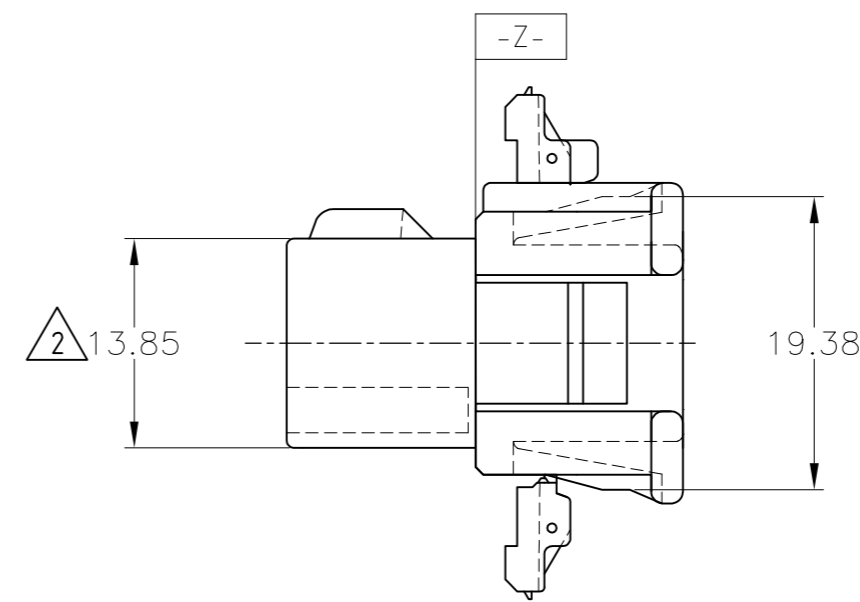
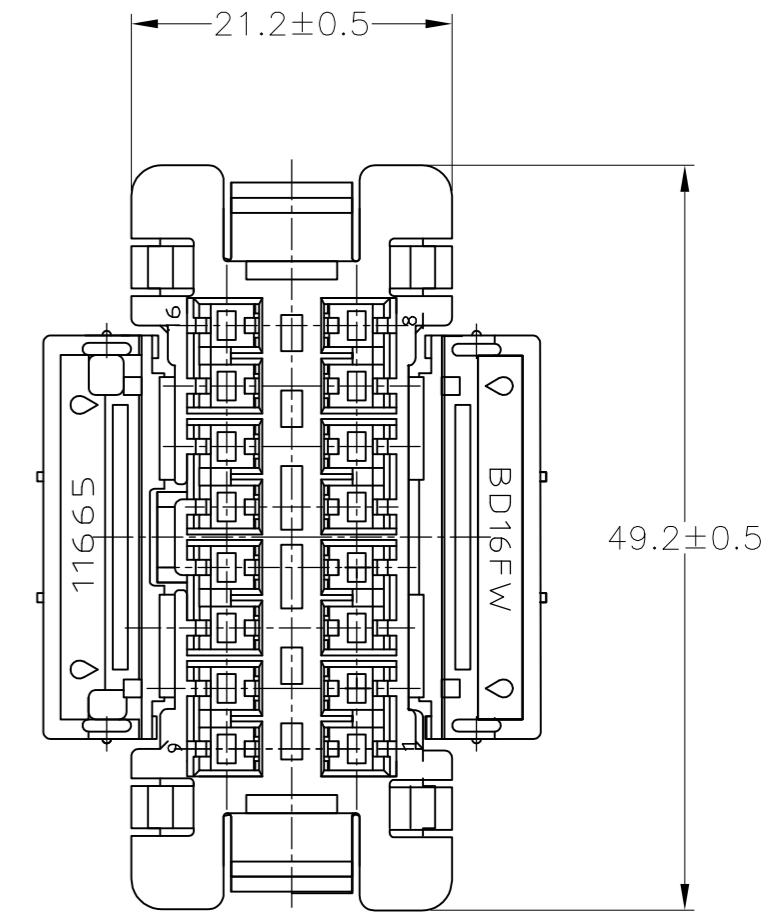
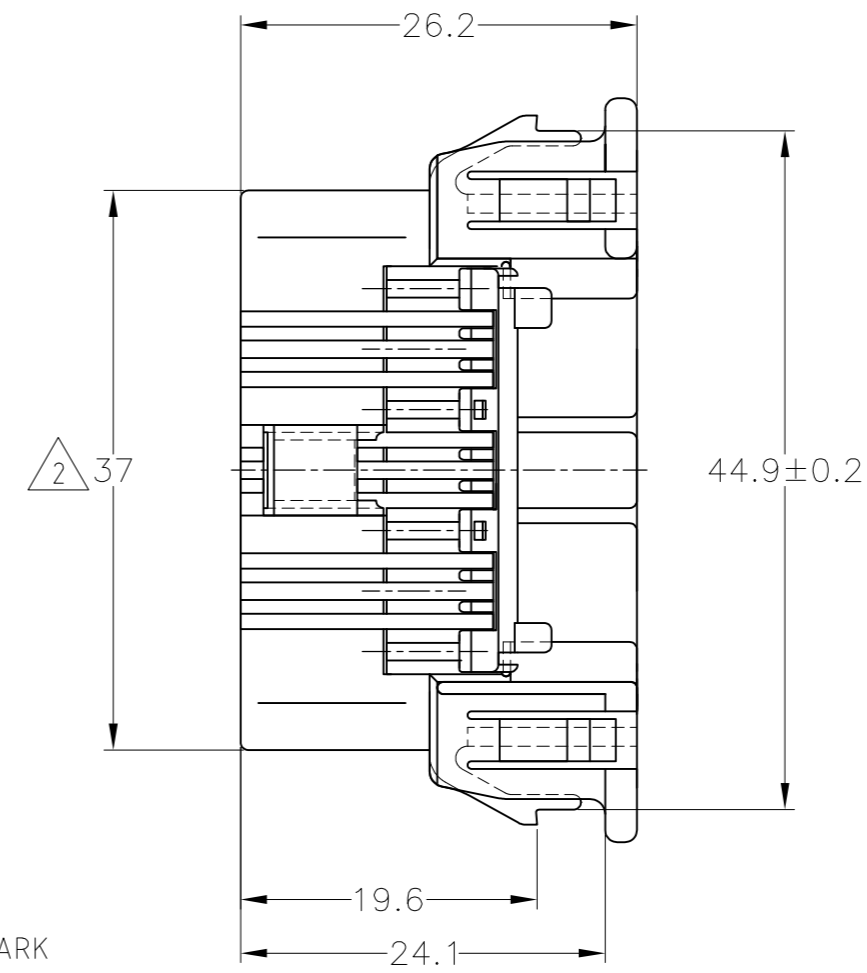
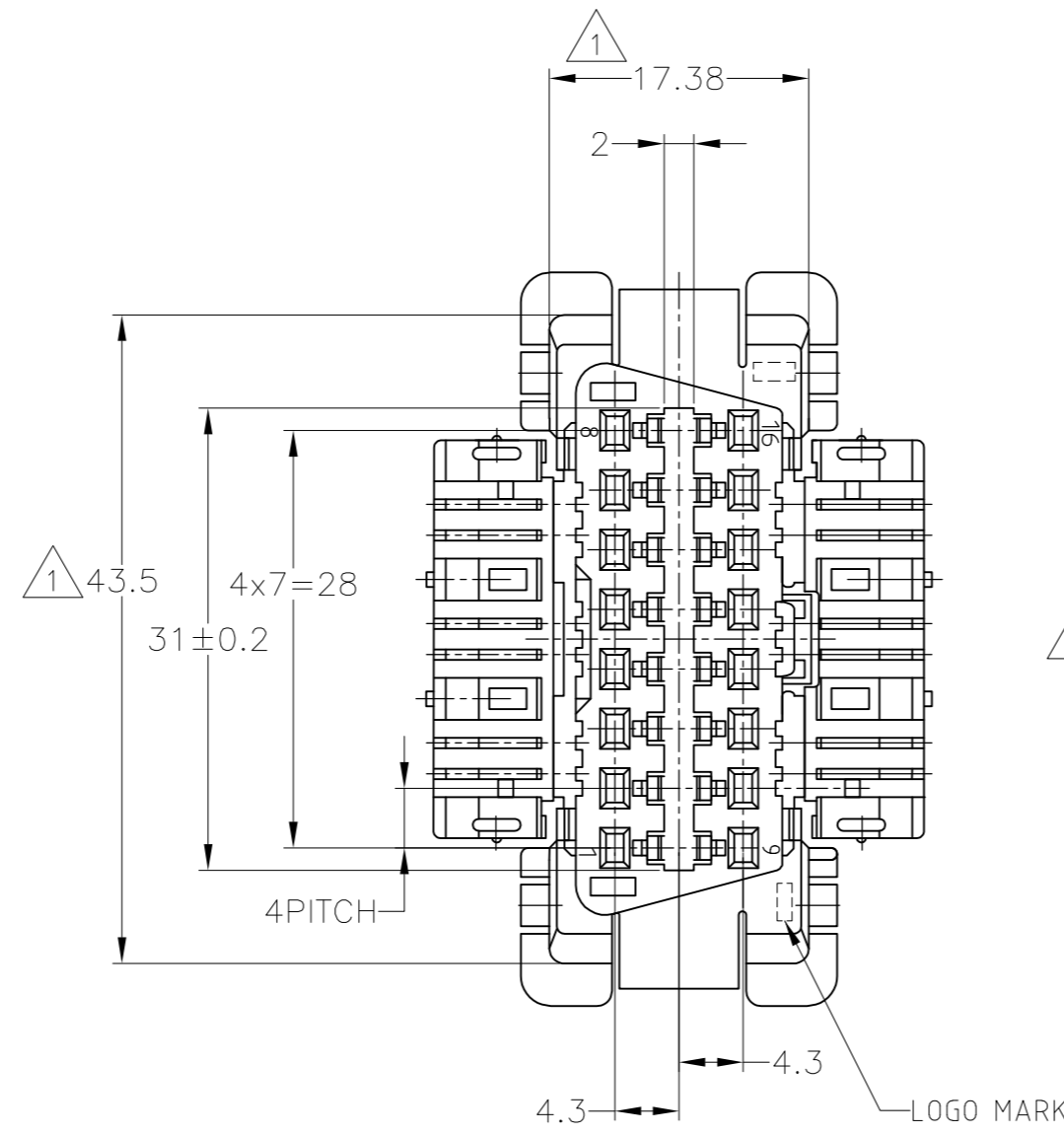
THIS DRAWING IS UNPUBLISHED. RELEASED FOR PUBLICATION
 © COPYRIGHT - By - ALL RIGHTS RESERVED.

LOC		DIST		REVISIONS			
P	LTR	DESCRIPTION		DATE	DWN	APVD	
C1		REVISED PER ECO-11-005140		28MAR11	RK	HMR	

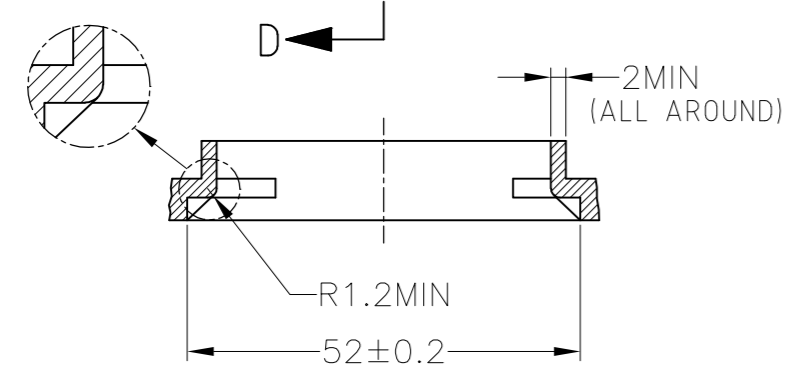
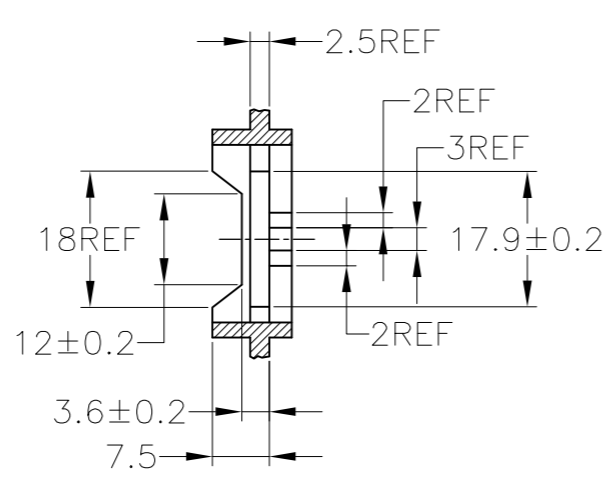
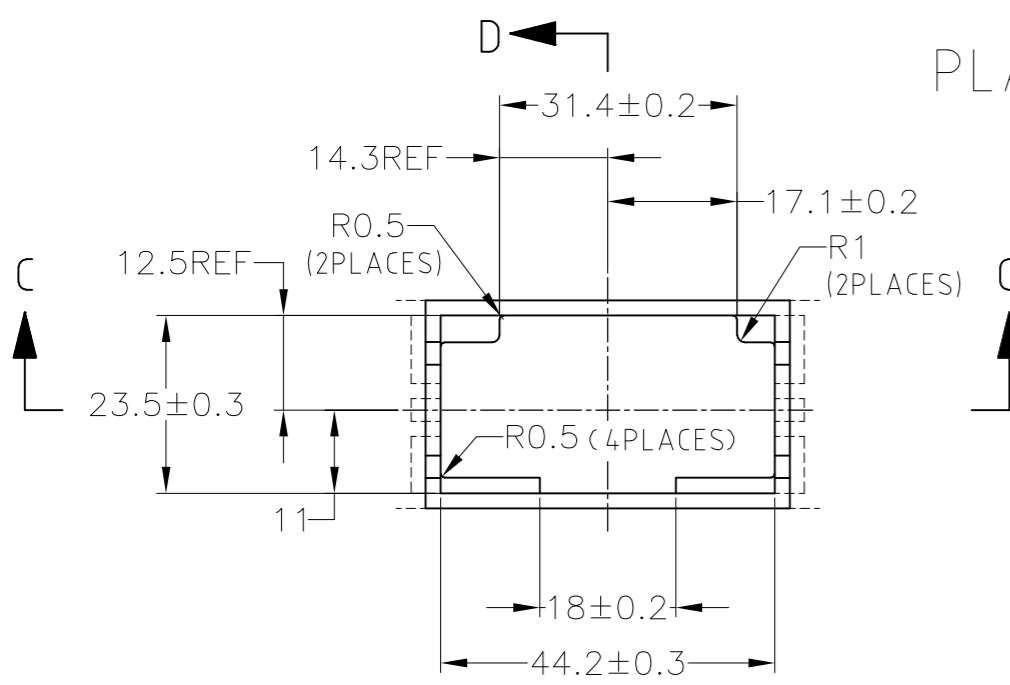
RECOMMENDED PANEL DIMENSIONS



B-B
scale 1:1



- △-Z- 面より2mmの範囲で測定
- △相手ハウジングと所定の機能を満足してかん合出来ること
3内装するリセパタクル コンタクト型番:776001
- △1 TO BE MEASURED BETWEEN -Z- AND 2
- △2 TO BE MATE WITH CAP HOUSING SMOOTHLY
3 APPLIED RECEPTACLE CONTACT PART NUMBER:776001



C-C
scale 1:1

TOLERANCES UNLESS OTHERWISE SPECIFIED: 一般公差

10以下: ±0.2	10を超え 30以下: ±0.25	30を超え 100以下: ±0.3	角度: ±3°
------------	-------------------	-------------------	---------

THIS DRAWING IS A CONTROLLED DOCUMENT.		DWN T.Minematsu	09JUN00	TE Connectivity	
DIMENSIONS: mm		CHK -	-		
TOLERANCES UNLESS OTHERWISE SPECIFIED:		APVD M.TSUKAKOSHI	09JUN00	NAME 16POSITION PLUG HOUSING DIAGNOSTIC CONNECTOR	
0 PLC ±		PRODUCT SPEC 108-5637		DRAWING NO -	
1 PLC ±		APPLICATION SPEC		SIZE A2	CAGE CODE 00779
2 PLC ±		MATERIAL PBT		SCALE 2:1	SHEET 1 of 1
3 PLC ±		FINISH -		WEIGHT 11.2g	REV C1
4 PLC ±		CUSTOMER DRAWING		RESTRICTED TO -	
ANGLES ±					