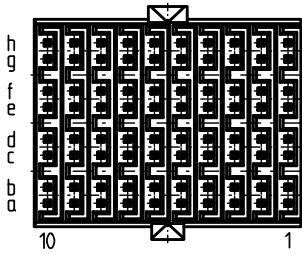
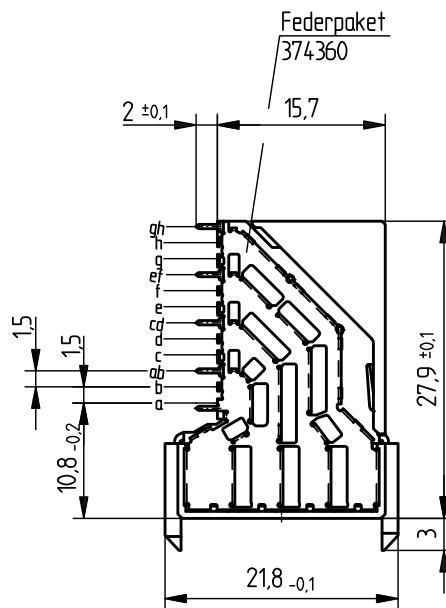
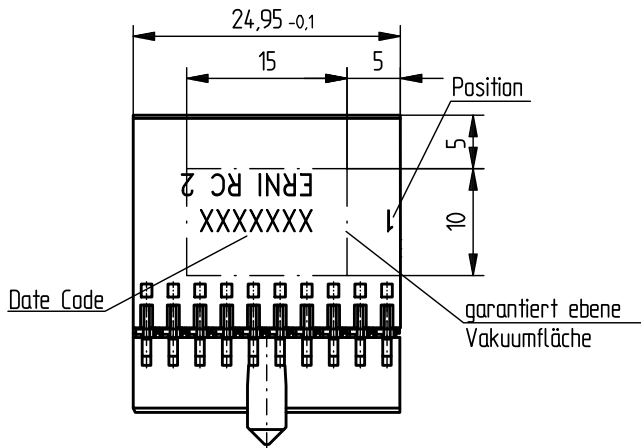
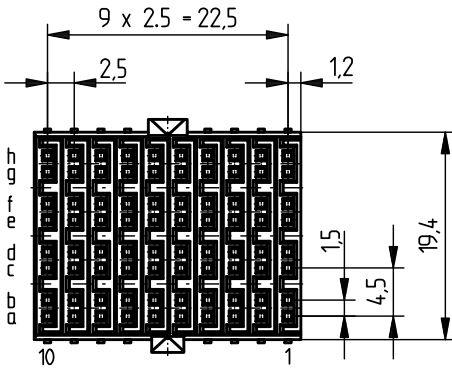


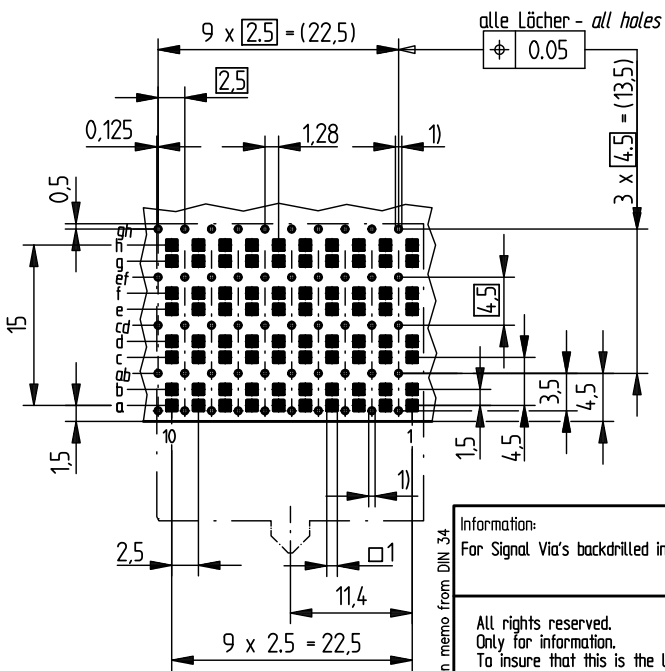
Bestückungsplan - contact layout



■ - bestückt - assembled



Leiterplatten-Layout Vorschlag für SMT
PCB-Layout Proposal for SMT



1) $\varnothing 0.6 \pm 0.05$ Durchmesser des metallisierten Loches
 $\varnothing 0.6 \pm 0.05$ Diameter of finished plated-through hole

Koplanarität der Anschlüsse $\leq 0.1\text{mm}$
Coplanarity Area of Termination $\leq 0.1\text{mm}$

Für HF optimiertes Layout
bitte Applikations Schrift
ERmet zero XT beachten.
For best RF Layout please
consider ERmet zero XT
application note.

SMT / THR

Information: For Signal Via's backdrilled in Layout	Tolerances	Scale 2:1	Designation ERmet zeroXT Federleiste 4-10 ERmet zeroXT Fem. Conn. 4-10
	All Dimensions in mm		
All rights reserved. Only for information. To insure that this is the latest version of this drawing, please contact one of the ERNI companies before using.	Subject to modification without prior notice. Drawing will not be updated.	www.ERNI.com	204405
Consider protection memo from DIN 34	15.12.2009	H-00068735.SZA	ERM0XT
Index	Date		