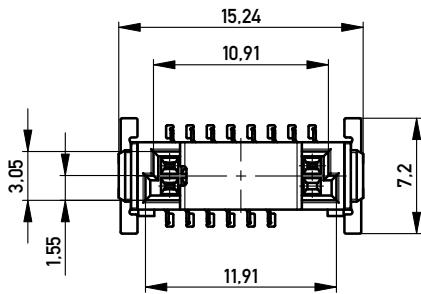
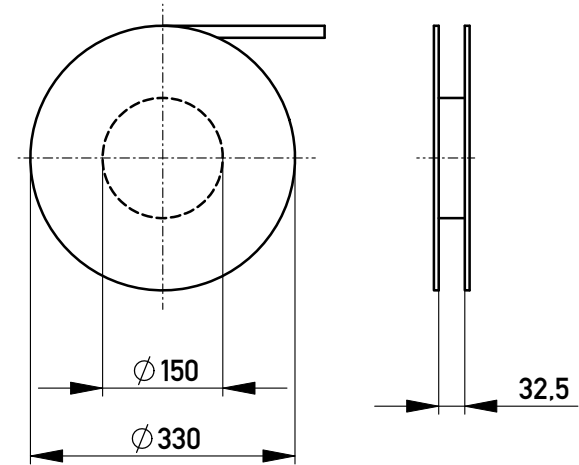
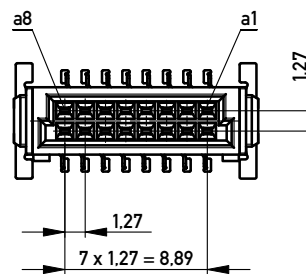


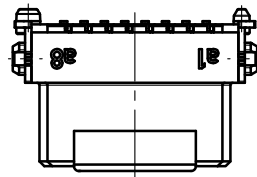
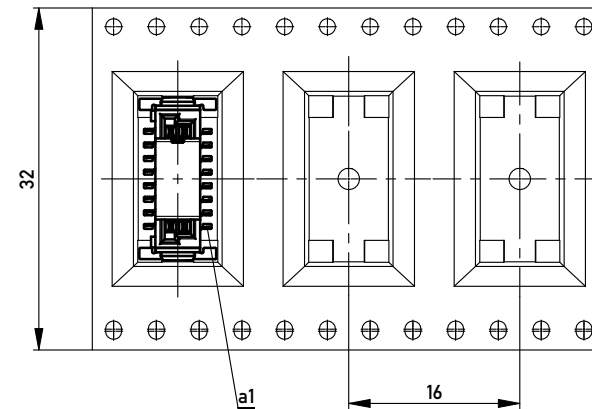
Verpackt in Gurtverpackung - *Tape on Reel Packaging*
 Verpackungseinheit: 280 Stück - *Packaging unit: 280 pcs*



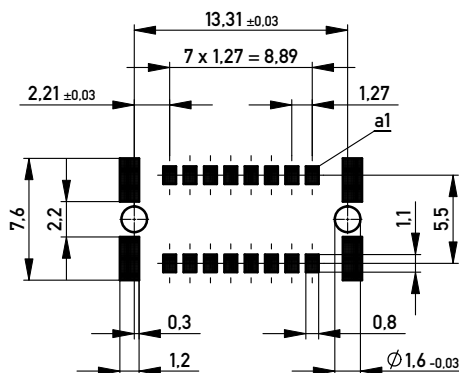
ohne Ansaughaube - *without hood*



Abspulrichtung - *Reel off Direction*



Leiterplatten-Layout Vorschlag für SMT
PCB-Layout Proposal for SMT



Anforderungsstufe 1
Performance Level 1

Kontaktbereich vergoldet
Mating Area gold plating

Anschlussbereich verzinkt 4-6 µm
Terminal Area 4-6 µm tin plating

Koplanarität der Anschlüsse ≤ 0,1 mm
Coplanarity Area of Termination ≤ 0,1 mm

BA 7-03 - Standard Bauhöhe

type 7-03 - Standard Assembly Height

Information:		Tolerances	Scale 3:1
All rights reserved. Only for Information. To ensure that this is the latest version of this drawing, please contact one of the ERNI companies before using.		All Dimensions in mm	Designation Federl. SMC-B 16-SMD-BA7-03 <i>Female SMC-B 16-SMD-type7-03</i>
-	25.03.2008	354062	
Index	Date	Class	SMCB

Copyright by ERNI GmbH.
 Proprietary notice pursuant to ISO 16016 to be observed.

1
A3