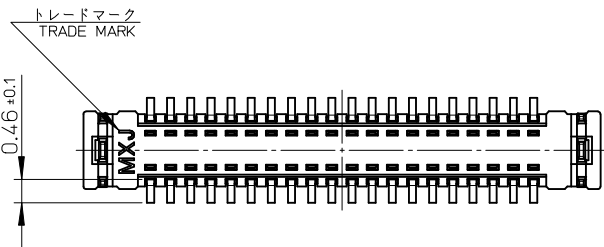
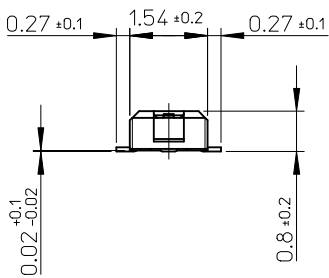
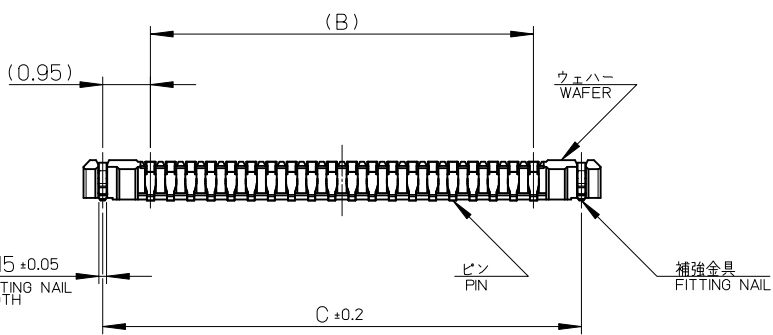


0.14 ±0.05
PIN WIDTH

⊕ 0.15 Y



17.5	15.6	18.26	502430-8010	80
14.3	12.4	15.06	502430-6410	64
13.5	11.6	14.26	502430-6010	60
11.5	9.6	12.26	502430-5010	50
10.3	8.4	11.06	502430-4410	44
9.5	7.6	10.26	502430-4010	40
8.3	6.4	9.06	502430-3410	34
7.9	6.0	8.66	502430-3210	32
7.5	5.6	8.26	502430-3010	30
6.7	4.8	7.46	502430-2610	26
5.9	4.0	6.66	502430-2210	22
5.5	3.6	6.26	502430-2010	20
4.3	2.4	5.06	502430-1410	14
C	B	A	EMBOSSED PACKAGE オーダー番号 ORDER No.	極数 CIRCUITS

CONNECTOR SERIES No. 502430-**19

REVISED EC NO: J2010-0437 DRWN: TSUZUKI 2009/09/11 CHKD: THIRATA 2009/09/11 APPR: MSASAO 2009/09/16	GENERAL TOLERANCES (UNLESS SPECIFIED)		DIMENSION STYLE MM ONLY	SCALE 10:1	DESIGN UNITS METRIC	THIRD ANGLE PROJECTION	
	10 UNDER	±---	DRAWN BY RTAKEUCHI	DATE 2007/10/03	TITLE 0.4 B-TO-B CONN. HGT=1.0 W=2.6 PLUG ASSY		
	10 OVER 30 UNDER	±---	CHECKED BY MSASAO	DATE 2007/10/03	MATERIAL NO. SEE TABLE		
	30 OVER	±---	APPROVED BY MSASAO	DATE 2007/10/03	DOCUMENT NO. SD-502430-001		
REV	DESCRIPTION	ANGULAR ±---°	DRAFT WHERE APPLICABLE MUST REMAIN WITHIN DIMENSIONS		SHEET NO. 1 OF 2		

注記 NOTES

1. 使用材料 MATERIAL

ウェハー : 液晶ポリマー (LCP) ガラス充填 UL94V-0 (黒)
 WAFER: LIQUID CRYSTAL POLYMER (GLASS FILLED) UL94V-0 (COLOR: BLACK)

ピン : りん青銅 (t=0.08)
 PIN : PHOSPHOR BRONZE (t=0.08)

金具 : りん青銅 (t=0.15)
 FITTING NAIL : PHOSPHOR BRONZE (t=0.15)

2. メッキ仕様 PLATING

ピン PIN

金メッキ : 0.1 マイクロメートル以上
 GOLD 0.1MICROMETER MINIMUM

下地メッキ : ニッケルメッキ 1.0 マイクロメートル以上
 UNDER PLATING : NICKEL 1.0MICROMETER MINIMUM

※コンタクト部とテール部はニッケルメッキによって分断されている金メッキです。
 DIVIDE INTO PARTS THE GOLD PLATING OF THE CONTACT AND THE TAIL PART BY THE NICKEL PLATING.

※封孔処理品

金具 FITTING NAIL

フラッシュ金メッキ
 FLASH Au PLATING

下地メッキ : ニッケルメッキ 1.0 マイクロメートル以上
 UNDER PLATING : NICKEL 1.0MICROMETER MINIMUM

△ (全極数 / 2) = 偶数の場合に適用。
 APPLY FOR (CIRCUIT/2)=EVEN.

4. 嵌合相手 : 502426 シリーズ
 MATE WITH : 502426 SERIES.

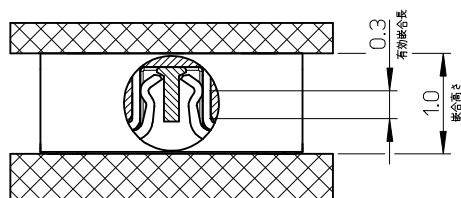
5. テール平坦度は、0.08 以下

テール及び金具の平坦度は、0.1 以下
 TAIL COPLANARITY TO BE 0.08MAXIMUM.
 TAIL AND FITTING NAIL COPLANARITY TO BE 0.1MAXIMUM.

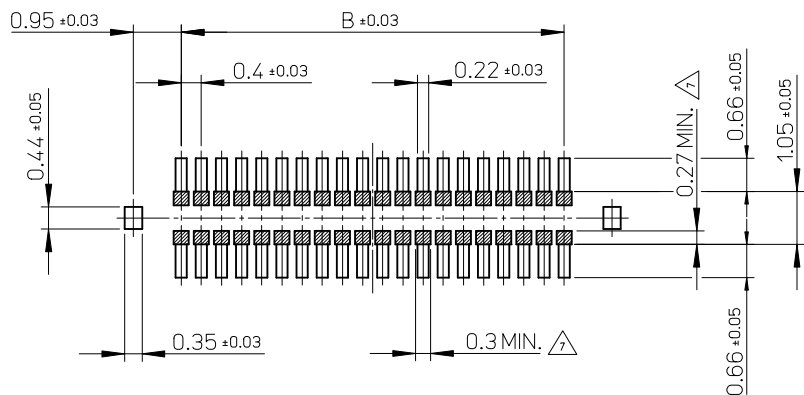
6. ELV 及び RoHS 適合品
 ELV AND RoHS COMPLIANT.

△ 斜線部はパターン書込み禁止範囲と半田禁止範囲を示す。

ただし、斜線部に同一配線を配置する場合はレジストを施し、この部分に半田は無きこと。
 NO PATTERN CIRCUIT AND NO SOLDER ALLOWED IN THE SHADED AREA.
 HOWEVER, IF NEEDED TO ADD A TRACE OF THE SAME CIRCUIT, PUT THE SOLDER-RESIST,
 YET NO SOLDER ALLOWED IN THE AREA.



嵌合断面図 (参考)
 MATED DRAWING (REFERENCE)

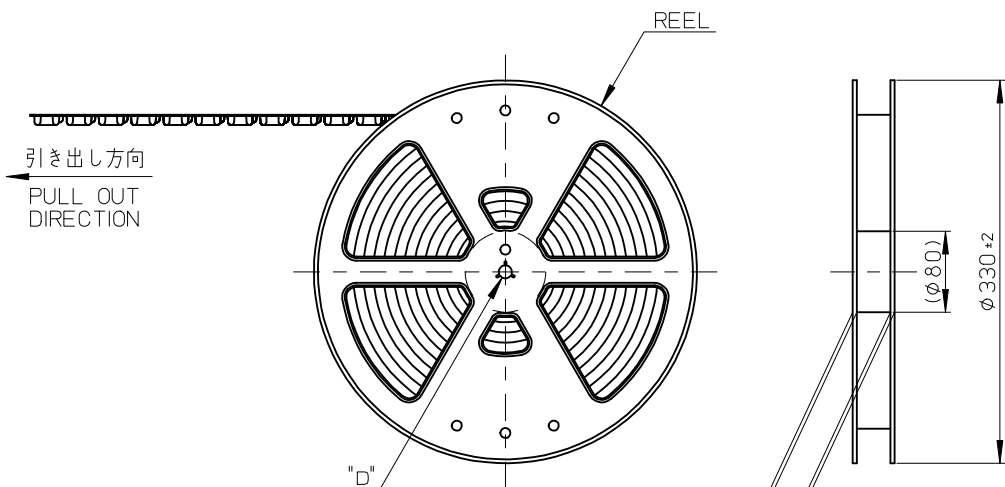


P.C. BOARD PATTERN LAYOUT
 (REFERENCE)

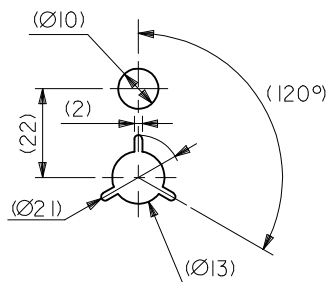
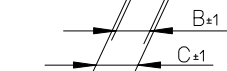
REVISED EC NO: J2010-0437 DRWN: TSUZUKI 2009/09/11 CHKD: THIRATA 2009/09/11 APPR: MSASAO 2009/09/16	GENERAL TOLERANCES (UNLESS SPECIFIED)		DIMENSION STYLE MM ONLY	SCALE 10:1	DESIGN UNITS METRIC	THIRD ANGLE PROJECTION
	10 UNDER	± ---	DRAWN BY RTAKEUCHI	DATE 2007/10/03	TITLE 0.4 B-TO-B CONN. HGT=1.0 W=2.6 PLUG ASSY	
	10 OVER 30 UNDER	± ---	CHECKED BY MSASAO	DATE 2007/10/03	MOLEX INCORPORATED	
	30 OVER	± ---	APPROVED BY MSASAO	DATE 2007/10/03	DOCUMENT NO. SD-502430-001	SHEET NO. 2 OF 2
	ANGULAR ± --- °	DRAFT WHERE APPLICABLE MUST REMAIN WITHIN DIMENSIONS	MATERIAL NO. SEE SHEET 1	THIS DRAWING CONTAINS INFORMATION THAT IS PROPRIETARY TO MOLEX INCORPORATED AND SHOULD NOT BE USED WITHOUT WRITTEN PERMISSION		

注記 NOTES

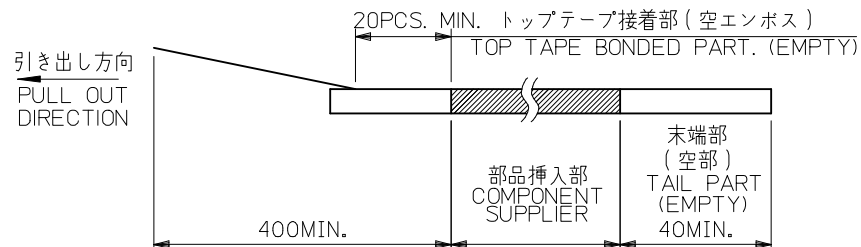
- 製品詳細寸法については製品単体図面を参照下さい。
FOR DETAIL OF CONNECTOR DIMENSIONS,
PLEASE SEE THE DRAWING OF CONNECTOR ITSELF (NOT PACKAGED).
- 梱包数量: 3000 個/リール
NUMBER OF CONNECTORS : 3000PCS/REEL
- リードテープ長さ LEAD TAPE LENGTH



引き出し方向
PULL OUT DIRECTION

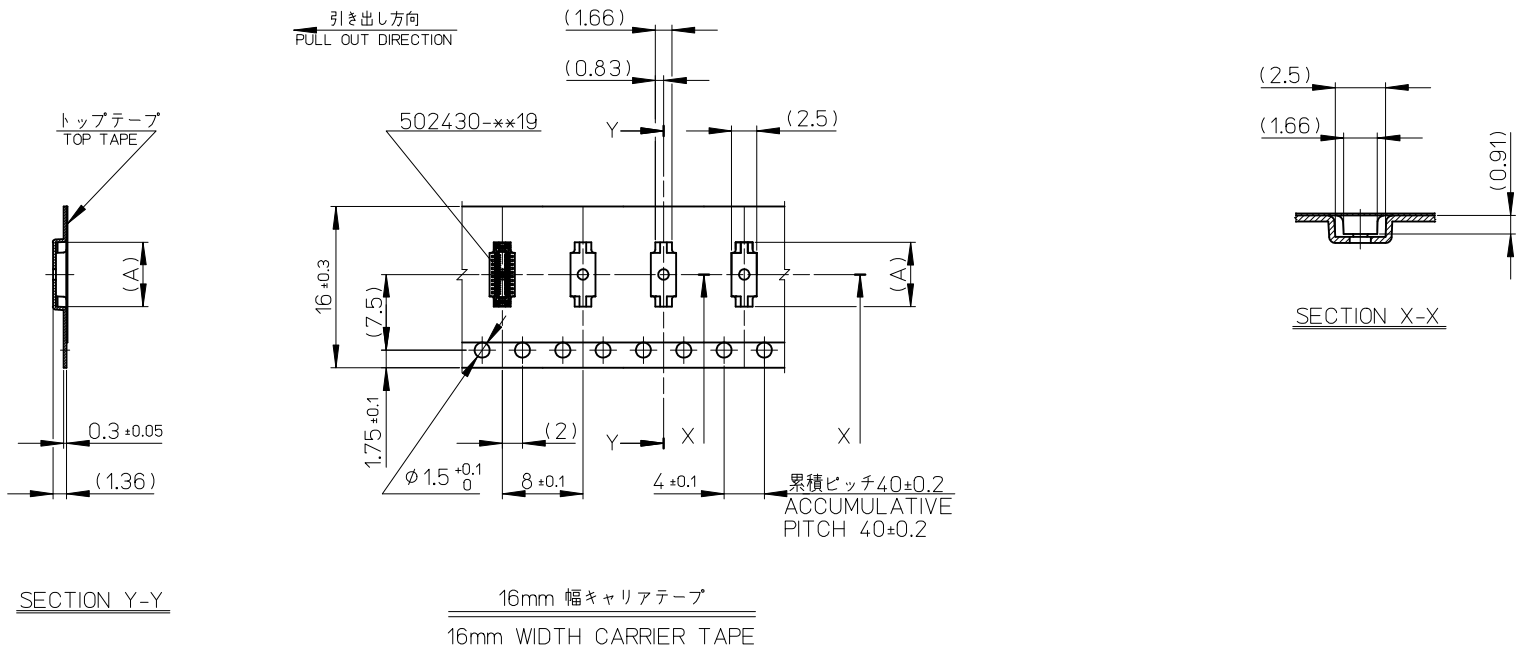


DETAIL "D"



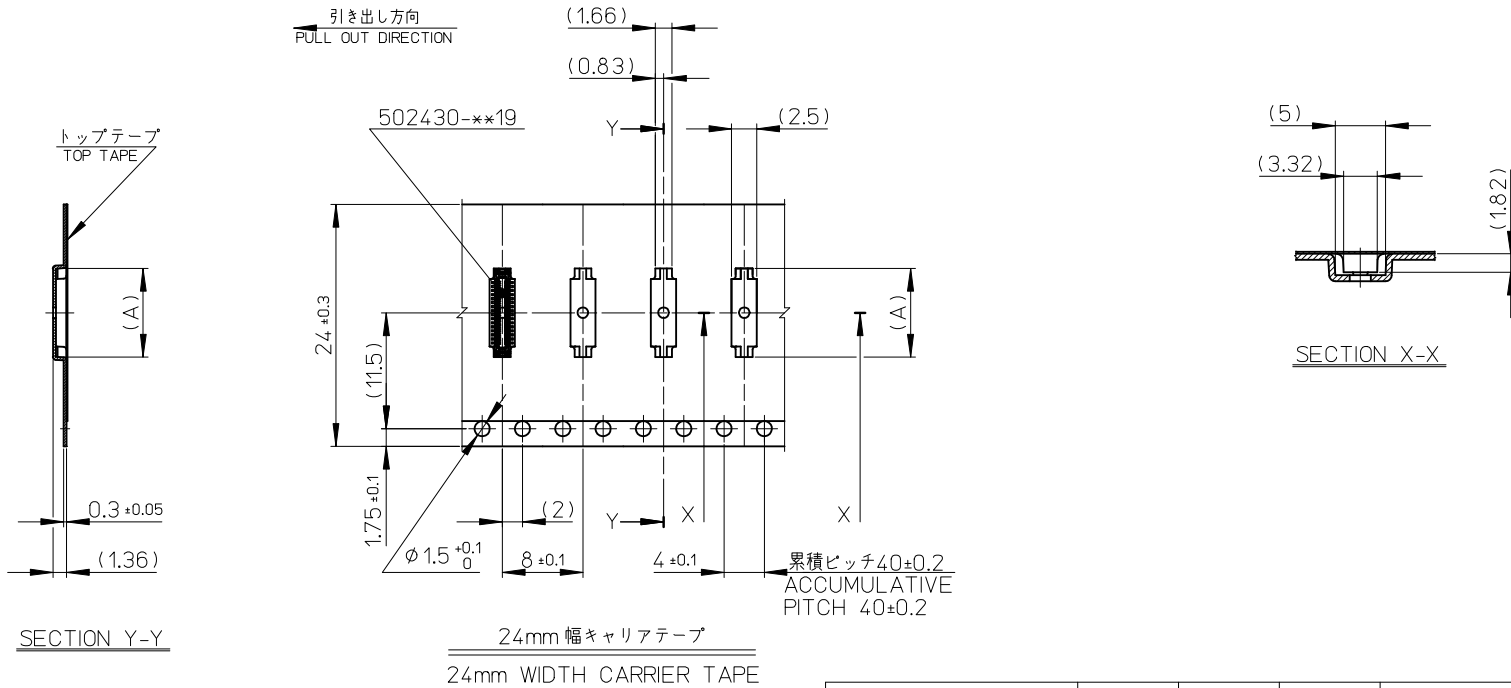
- 材料 MATERIAL
キャリアテープ (CARRIER TAPE): ポリスチレン (POLYSTYRENE)
トップテープ (TOP TAPE): PET, OTHER
リール (REEL): ポリスチレン (PS) <リサイクル材を含む>
POLYSTYRENE (PS) <RECYCLE MATERIAL CONTAINED>
- ELV及びRoHS適合品
ELV AND RoHS COMPLIANT

REVISED EC NO: J2010-0437 DRWN: TSUZUKI 2009/09/11 CHKD: THIRATA 2009/09/11 APPR: MSASAO 2009/09/16	GENERAL TOLERANCES (UNLESS SPECIFIED)		DIMENSION STYLE MM ONLY		SCALE ---	DESIGN UNITS METRIC	MODEL NO. 502430-**10
	10 UNDER	±---	DRAWN BY RTAKEUCHI	DATE 2007/10/03	TITLE 0.4 B-TO-B CONN. HGT=1.0 PLUG ASSY EMBSTP PKG		
	10 OVER 30 UNDER	±---	CHECKED BY MSASAO	DATE 2007/10/03	MATERIAL NO. SEE TABLE		
	30 OVER	±---	APPROVED BY MSASAO	DATE 2007/10/03	DOCUMENT NO. SD-502430-002		
	ANGULAR ±---	DRAFT WHERE APPLICABLE MUST REMAIN WITHIN DIMENSIONS		SHEET NO. 1 OF 4		MATERIAL NO. SEE TABLE	



16	21.4	17.4	7.58	502430-2610	26
			6.78	502430-2210	22
			6.38	502430-2010	20
			5.18	502430-1410	14
キャリアテープ幅 CARRIER TAPE WIDTH			(A)	MATERIAL No.	CKT.
				MODEL No.	502430-**10

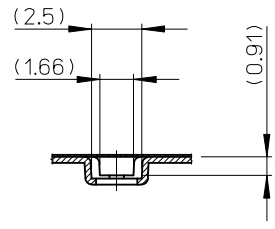
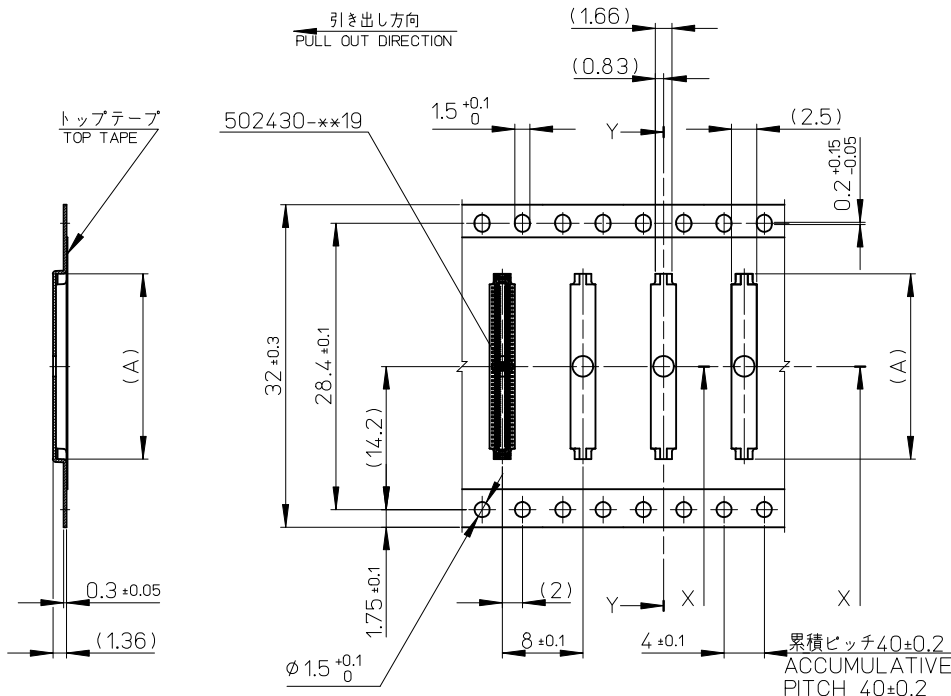
REVISED EC NO: J2010-0437 DRWN: TSUZUKI 2009/09/11 CHKD: THIRATA 2009/09/11 APPR: MSASAO 2009/09/16	DESCRIPTION G	GENERAL TOLERANCES (UNLESS SPECIFIED)		DIMENSION STYLE MM ONLY		SCALE ---	DESIGN UNITS METRIC	THIRD ANGLE PROJECTION	
		10 UNDER	±---	DRAWN BY RTAKEUCHI	DATE 2007/10/03	TITLE 0.4 B-TO-B CONN. HGT=1.0 PLUG ASSY EMBSTP PKG			
		10 OVER 30 UNDER	±---	CHECKED BY MSASAO	DATE 2007/10/03	MOLEX INCORPORATED			
		30 OVER	±---	APPROVED BY MSASAO	DATE 2007/10/03	DOCUMENT NO. SD-502430-002			
ANGULAR ±---°		DRAFT WHERE APPLICABLE MUST REMAIN WITHIN DIMENSIONS		MATERIAL NO. SEE TABLE		SHEET NO. 2 OF 4			



24	29.4	25.4	15.18	502430-6410	64
			14.38	502430-6010	60
			12.38	502430-5010	50
			11.18	502430-4410	44
			10.38	502430-4010	40
			9.18	502430-3410	34
			8.78	502430-3210	32
8.38	502430-3010	30			
キャリアテープ幅 CARRIER TAPE WIDTH			C	B	(A)
			MATERIAL No.		CKT.
			MODEL No.		502430-**10

REVISED EC NO: J2010-0437 DRWN: TSUZUKI 2009/09/11 CHKD: THIRATA 2009/09/11 APPR: MSASAO 2009/09/16	GENERAL TOLERANCES (UNLESS SPECIFIED)		DIMENSION STYLE MM ONLY		SCALE ---	DESIGN UNITS METRIC	THIRD ANGLE PROJECTION
	10 UNDER	± ---	DRAWN BY RTAKEUCHI	DATE 2007/10/03	TITLE 0.4 B-TO-B CONN. HGT=1.0 PLUG ASSY EMBSTP PKG		
	10 OVER 30 UNDER	± ---	CHECKED BY MSASAO	DATE 2007/10/03	MOLEX INCORPORATED		
	30 OVER	± ---	APPROVED BY MSASAO	DATE 2007/10/03	DOCUMENT NO. SD-502430-002		
ANGULAR ± --- °		DRAFT WHERE APPLICABLE MUST REMAIN WITHIN DIMENSIONS		MATERIAL NO. SEE TABLE		SHEET NO. 3 OF 4	

10 9 8 7 6 5 4 3 2 1



SECTION Y-Y

SECTION X-X

32mm 幅キャリアテープ
32mm WIDTH CARRIER TAPE

32	37.4	33.4	18.38	502430-8010	80
キャリアテープ幅 CARRIER TAPE WIDTH			C	B	(A)
				MATERIAL No.	502430-**x10
				MODEL No.	502430-**x10

REVISED EC NO: J2010-0437 DRWN: TSUZUKI 2009/09/11 CHKD: THIRATA 2009/09/11 APPR: MSASAO 2009/09/16	DESCRIPTION REV	GENERAL TOLERANCES (UNLESS SPECIFIED)		DIMENSION STYLE MM ONLY		SCALE ---	DESIGN UNITS METRIC	THIRD ANGLE PROJECTION	
		10 UNDER	±---	DRAWN BY RTAKEUCHI	DATE 2007/10/03	TITLE 0.4 B-TO-B CONN. HGT=1.0 PLUG ASSY EMBSTP PKG			
		10 OVER 30 UNDER	±---	CHECKED BY MSASAO	DATE 2007/10/03	MOLEX INCORPORATED			
		30 OVER	±---	APPROVED BY MSASAO	DATE 2007/10/03	DOCUMENT NO. SD-502430-002			
		ANGULAR	±---°	MATERIAL NO. SEE TABLE		SHEET NO. 4 OF 4			
DRAFT WHERE APPLICABLE MUST REMAIN WITHIN DIMENSIONS		THIS DRAWING CONTAINS INFORMATION THAT IS PROPRIETARY TO MOLEX INCORPORATED AND SHOULD NOT BE USED WITHOUT WRITTEN PERMISSION							