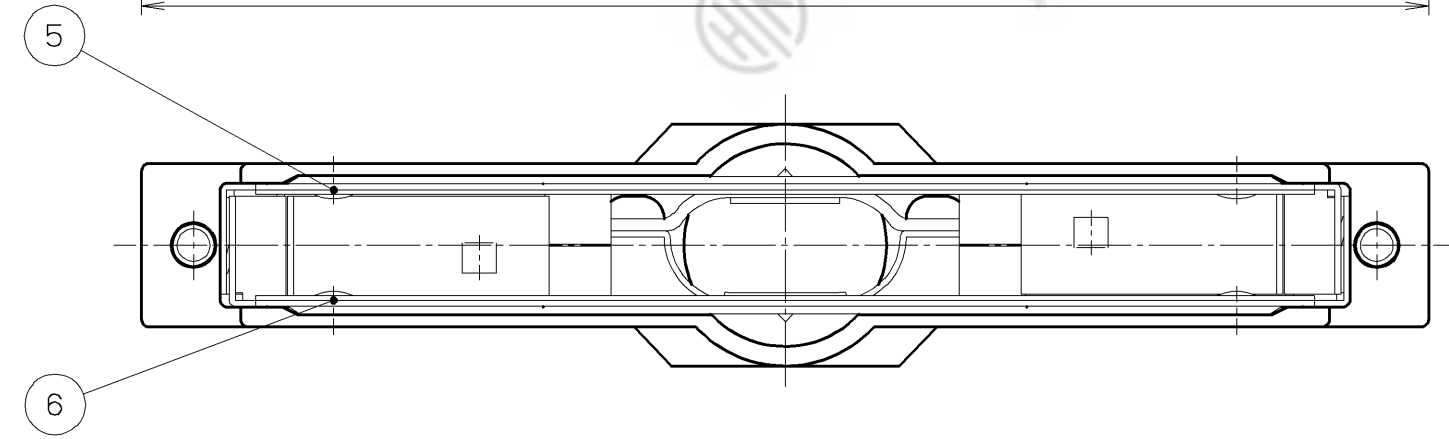
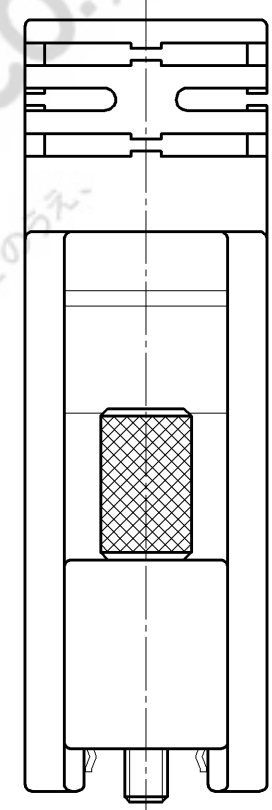
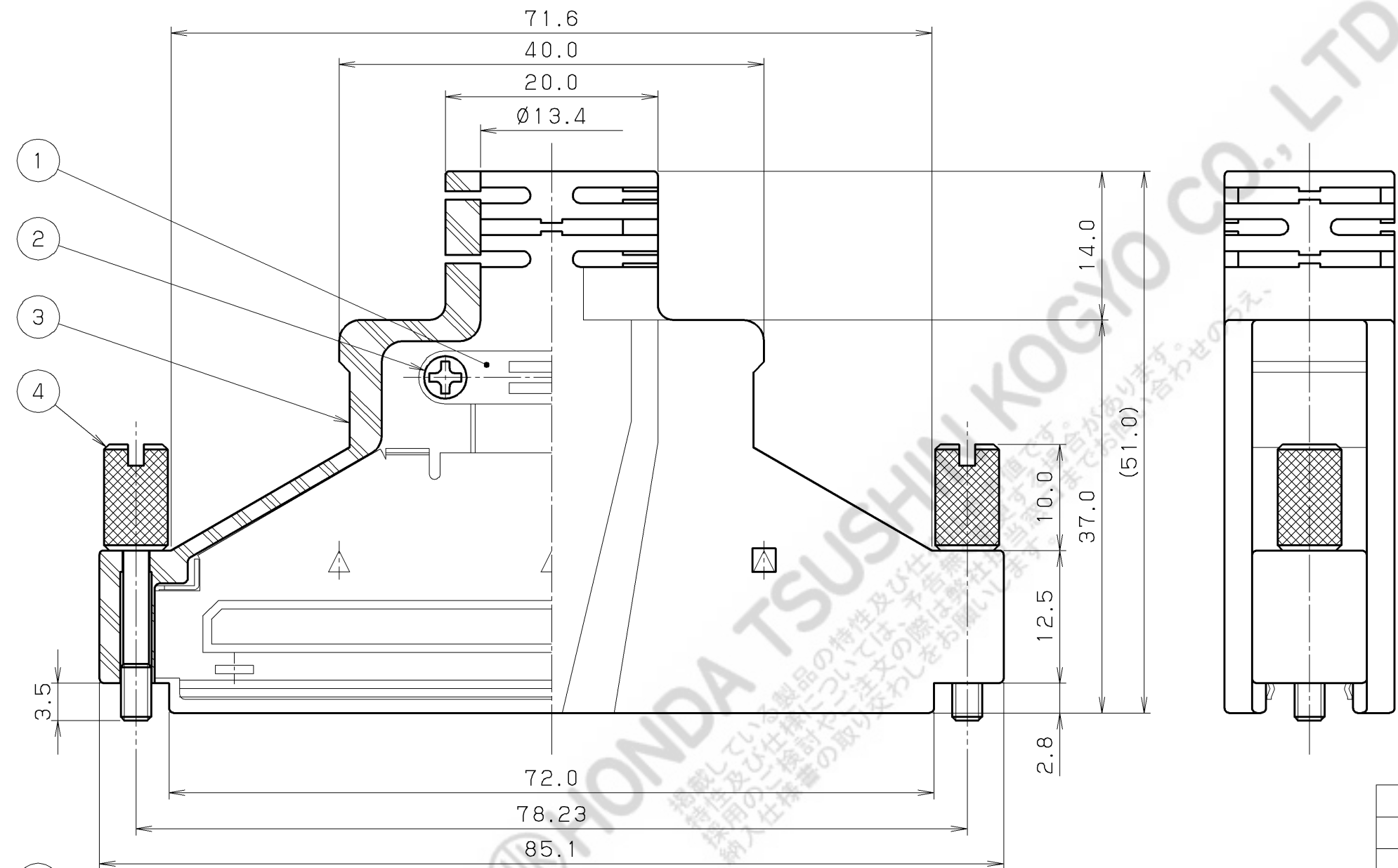


PART NO.	COLOR OF COVER	SCREW SIZE	APPLICABLE CABLE O. D.
PCS-XEM100L	BLACK	#4-40UNC	Ø13.2
PCS-XEM100LU2		#2-56UNC	
PCS-XEM100L1	BEIGE	#4-40UNC	
PCS-XEM100L1U2		#2-56UNC	

NOTE1. APPLICABLE CONNECTOR
P/N: PCS-XE100M ()



6	SHELL A	STEEL	1	Ni PLATING	—
5	SHELL B	STEEL	1	Ni PLATING	—
4	LOCK SCREW	STEEL	2	Ni PLATING	—
3	COVER	ABS	1	—	UL94V-0
2	PAN HEAD SCREW	STEEL	2	Ni PLATING	M2.5
1	CABLE CLAMP	STAINLESS STEEL	1	—	—

LTR.	DATE	BY	REV.	DESCRIPT	No.	PART NAME	MATERIAL	QTY	FINISH	NOTE
	OCT. 31 1997	K. Y.	NEW	REV.						
DATE: APR. 22. 1988						SCALE: 2 / 1	UNIT: mm (INCH)	3RD. A. P		
APP. DATE & REV.						HONDA TSUSHIN KOGYO CO., LTD.				
DR.	DE.	CHK.	CHK.	APP.	NAME		PCS-XEM TYPE CABLE COVER			
K. YOKOTA	K. YOKOTA	K. SATO	Y. HIRAI	H. MIYAZAKI	PART NO.	PCS-XEM100L () ()			REV. 1A	