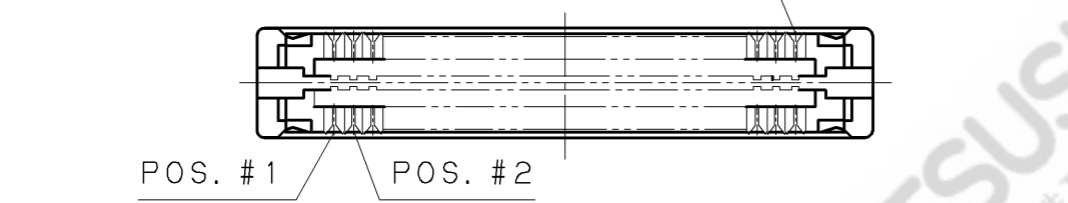
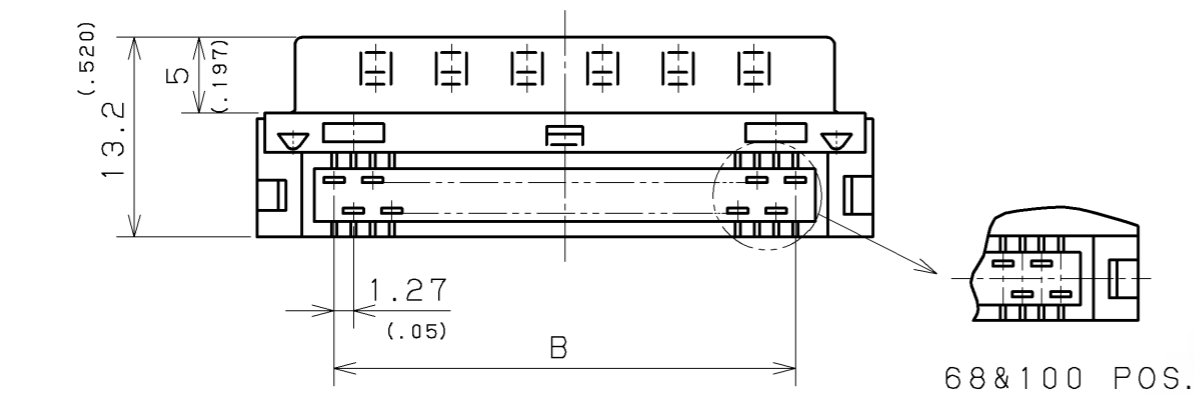
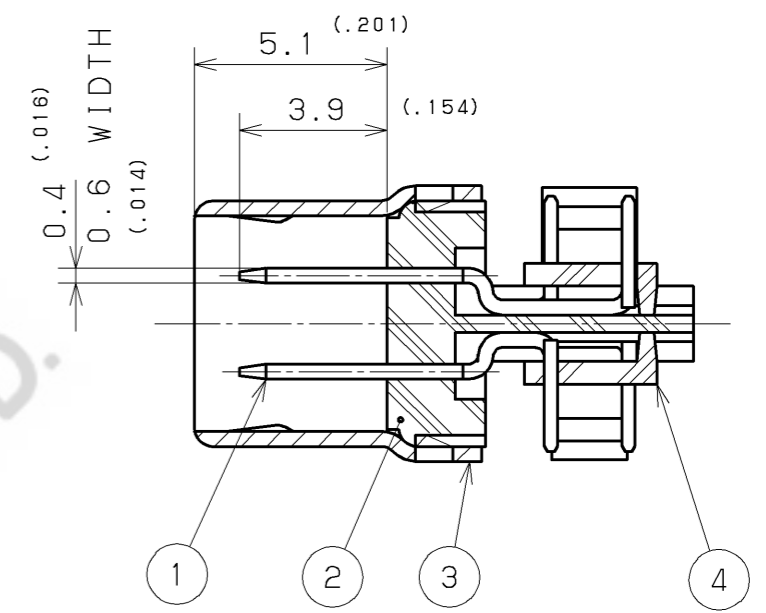
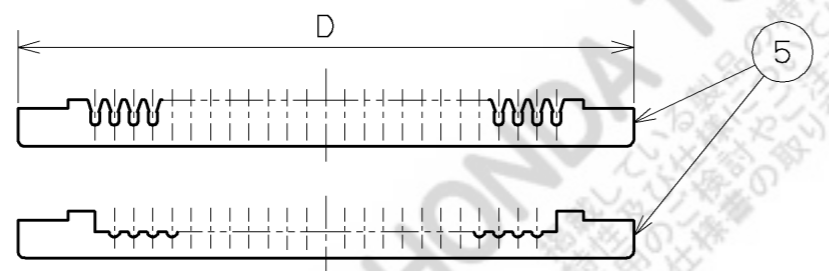


NOTE 1. CONTACT FINISH
 GOLD (0.20 μm MIN.) ON
 MATING AREA, GOLD
 ON TERMINATION AREA,
 ALL OVER NICKEL
 UNDERPLATED.



FOR DISCRETE WIRE

FOR FLAT CABLE



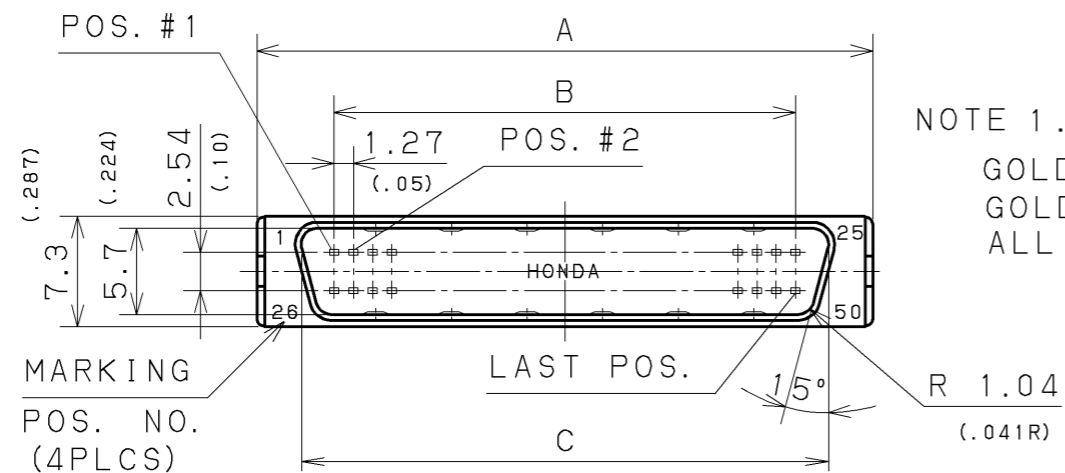
PART NO.
 PCS-XE50MA+
 NO. OF POS.
 CABLE CHARACTERISTICS

PART NO.	CABLE CHARACTERISTICS
PCS-XE () M+	FOR DISCRETE WIRE #28AWG (7/0.127) O. D. : 0.8~1.0mm #30AWG (1/0.254)
PCS-XE () MA+	FOR DISCRETE WIRE #28AWG (7/0.127) O. D. : 0.5~0.65mm #30AWG (1/0.254)
PCS-XE () MB+	FOR DISCRETE WIRE #30AWG (7/0.1) O. D. : 0.5~0.65mm
PCS-XE () MC+	FOR FLAT CABLE #28AWG (7/0.127) THICKNESS: 1mm MAX. #30AWG (1/0.254)
PCS-XE () ME+	FOR FLAT CABLE #30AWG (7/0.1) THICKNESS: 1mm MAX.
PCS-XE () MJ+	FOR DISCRETE WIRE #28AWG (7/0.127) O. D. : 0.65~0.8mm #30AWG (1/0.254)
PCS-XE () MK+	FOR DISCRETE WIRE #30AWG (7/0.1) O. D. : 0.65~0.8mm
PCS-XE () MQ+	FOR DISCRETE WIRE #30AWG (7/0.1) O. D. : 0.8~1.0mm

PART NO.	NO. OF POS.	A	B	C	D	MARKING (POS. NO.)
PCS-XE100M () +	100	72.45 (2.852)	1.27x (50-1) = 62.23 (.05) (2.45)	66.60 (2.622)	72.40 (2.850)	1, 50, 51, 100
PCS-XE68M () +	68	52.13 (2.052)	1.27x (34-1) = 41.91 (.05) (1.65)	46.28 (1.822)	52.10 (2.051)	1, 34, 35, 68
PCS-XE50M () +	50	40.70 (1.602)	1.27x (25-1) = 30.48 (.05) (1.20)	34.85 (1.372)	40.70 (1.602)	1, 25, 26, 50
PCS-XE26M () +	26	25.46 (1.002)	1.27x (13-1) = 15.24 (.05) (.60)	19.61 (.772)	25.46 (1.002)	1, 13, 14, 26

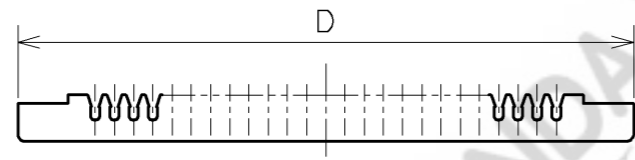
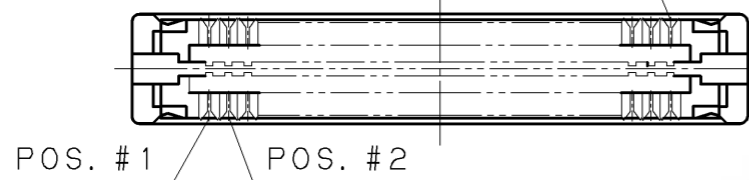
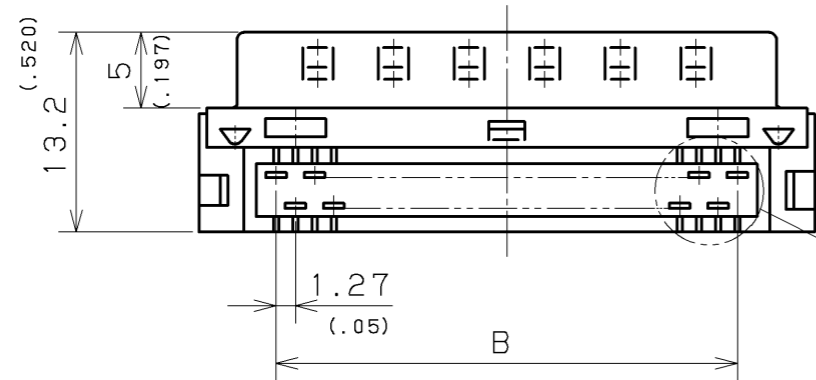
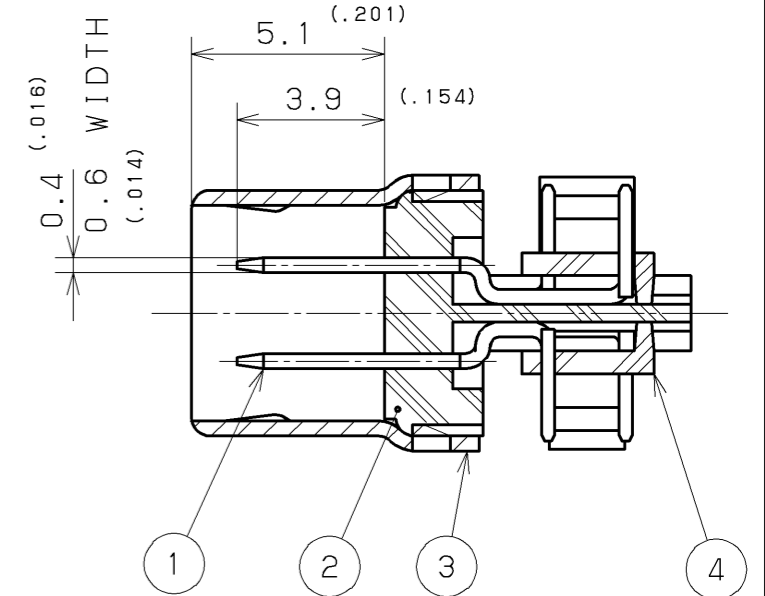
LTR.	DATE	BY	REV.	DESCRIPT	No.	PART NAME	MATERIAL	QTY	FINISH	NOTE
					5	CABLE COVER	PBT (GF)	2		UL94V-0 BLACK
					4	SUPPORTER	PBT (GF)	2		UL94V-0 BLACK
					3	SHELL	STEEL	1	NI PLATING	
					2	INSULATOR	PBT (GF)	1		UL94V-0 BLACK
					1	CONTACT	PHOSPHOR BRONZE			NOTE # 1

DATE	SCALE	UNIT	3RD. A. P	HONDA TSUSHIN KOGYO CO., LTD.			
Mar. 31. 2004	2 / 1	mm (INCH)					
DR.	DE.	CHK.	CHK.	APP.	NAME	PCS-XE TYPE MALE CONNECTOR (RoHS) (SCSI - II III)	
T. KAWANO	T. KAWANO	T. SOGO	K. HOMMA	K. SATO	PART NO.	PCS-XE () M () +	



NOTE 1. CONTACT FINISH

GOLD (0.76 μm MIN.) ON MATING AREA,
GOLD (0.05 μm MIN.) ON TERMINATION AREA,
ALL OVER NICKEL UNDERPLATED.



FOR DISCRETE WIRE



FOR FLAT CABLE

PART NO.

PCS-XE50MAG1+

NO. OF POS.

CABLE CHARACTERISTICS

PART NO.	CABLE CHARACTERISTICS
PCS-XE () MG1+	FOR DISCRETE WIRE #28AWG (7/0.127) O. D. : 0.8~1.0mm #30AWG (1/0.254)
PCS-XE () MAG1+	FOR DISCRETE WIRE #28AWG (7/0.127) O. D. : 0.5~0.65mm #30AWG (1/0.254)
PCS-XE () MBG1+	FOR DISCRETE WIRE #30AWG (7/0.1) O. D. : 0.5~0.65mm
PCS-XE () MCG1+	FOR FLAT CABLE #28AWG (7/0.127) THICKNESS: 1mm MAX. #30AWG (1/0.254)
PCS-XE () MEG1+	FOR FLAT CABLE #30AWG (7/0.1) THICKNESS: 1mm MAX.
PCS-XE () MJG1+	FOR DISCRETE WIRE #28AWG (7/0.127) O. D. : 0.65~0.8mm #30AWG (1/0.254)
PCS-XE () MKG1+	FOR DISCRETE WIRE #30AWG (7/0.1) O. D. : 0.65~0.8mm
PCS-XE () MQG1+	FOR DISCRETE WIRE #30AWG (7/0.1) O. D. : 0.8~1.0mm

PART NO.	NO. OF POS.	A	B	C	D	MARKING (POS. NO.)
PCS-XE100M () G1+	100	72.45 (2.852)	1.27x (50-1) = 62.23 (2.45)	66.60 (2.622)	72.40 (2.850)	1, 50, 51, 100
PCS-XE68M () G1+	68	52.13 (2.052)	1.27x (34-1) = 41.91 (1.65)	46.28 (1.822)	52.10 (2.051)	1, 34, 35, 68
PCS-XE50M () G1+	50	40.70 (1.602)	1.27x (25-1) = 30.48 (1.20)	34.85 (1.372)	40.70 (1.602)	1, 25, 26, 50
PCS-XE26M () G1+	26	25.46 (1.002)	1.27x (13-1) = 15.24 (0.60)	19.61 (0.772)	25.46 (1.002)	1, 13, 14, 26

5	CABLE COVER	PBT (GF)	2	—	UL94V-0 BLACK
4	SUPPORTER	PBT (GF)	2	—	UL94V-0 BLACK
3	SHELL	STEEL	1	NI PLATING	—
2	INSULATOR	PBT (GF)	1	—	UL94V-0 BLACK
1	CONTACT	PHOSPHOR BRONZE	NO. OF POS.	NOTE # 1	—

LTR.	DATE	BY	REV.	DESCRIPT	No.	PART NAME	MATERIAL	QTY	FINISH	NOTE
	DATE									
	May 21, 2004									
	SCALE									
	2 / 1									
	UNIT									
	mm (INCH)									
	3RD. A. P									
HONDA TSUSHIN KOGYO CO., LTD.										
DR.	DE.	CHK.	CHK.	APP.		NAME	PCS-XE TYPE MALE (RoHS) CONNECTOR (SCSI-II III)			
T. KAWANO	T. KAWANO	T. SOGO	K. HOMMA	K. SATO		PART NO.	PCS-XE () M () G1+ REV.			