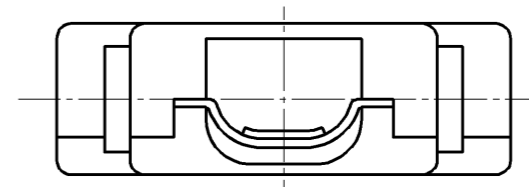
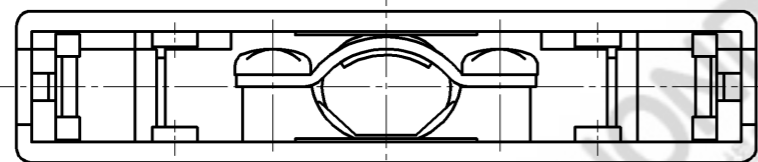
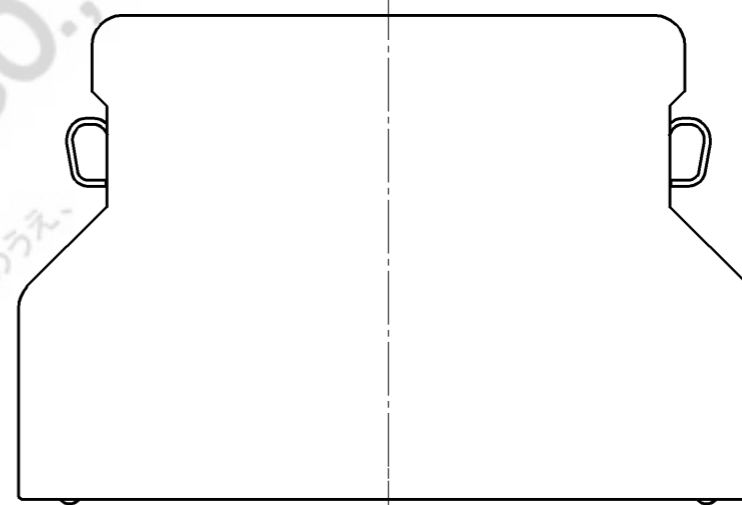
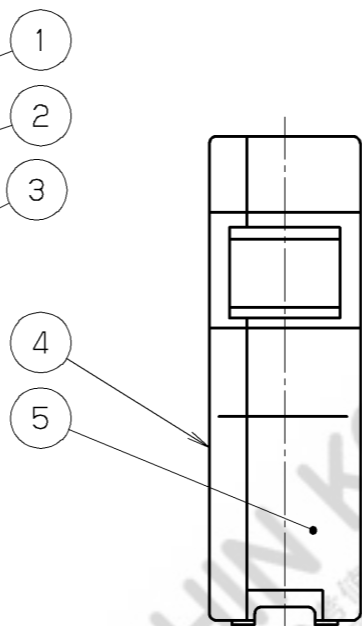
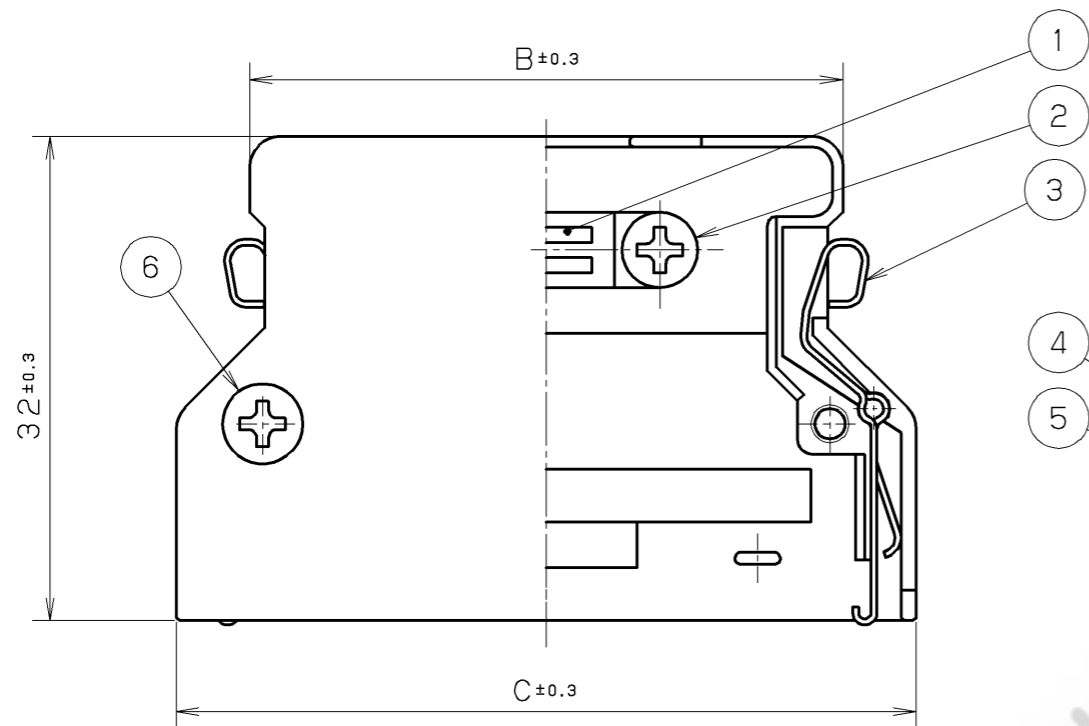


20, 28POS.



-20LC



PCS-E68LA	68	8.5x7.5	50.6	60.3	Ø8.1
PCS-E50LA	50	8.5x7	39.2	48.9	Ø7.3, Ø8
PCS-E36LA	36	9.5x8	30.5	40.2	Ø8.4, Ø9
PCS-E28LB	28	9.5x8.5	25.3	35.0	Ø9
PCS-E28LA		6.5x5			
PCS-E20LC	20	10.3x8.5	20.3	30.0	Ø8.7+Ø4.3
PCS-E20LB		8x7			Ø7.5
PCS-E20LA		6x5			Ø5.5
PART NO.	NO. OF POS.	A	B	C	APPLICABLE CABLE O. D.
DIMENSIONS					

6	FLAT HEAD SCREW	STEEL	2	NICKEL PLATING	M2.5
5	COVER A	ZINC ALLOY	1	NICKEL PLATING	—
4	COVER B	ZINC ALLOY	1	NICKEL PLATING	—
3	SPRING LOCK	STAINLESS STEEL	2	—	—
2	PAN HEAD SCREW	STEEL	2	NICKEL PLATING	M2.5
1	CABLE CLAMP	STAINLESS STEEL	1	—	—

LTR.	DATE	BY	REV.	DESCRIPT	No.	PART NAME	MATERIAL	QTY	FINISH	NOTE
	4. APR. 1997		2 / 1							
DATE						SCALE		UNIT		3RD. A. P
APP. DATE&REV.										
DR.	DE.	CHK.	CHK.	APP.	NAME		PCS-E TYPE CABLE COVER			
K. YOKOTA	K. YOKOTA	K. SATO	Y. HIRAI	H. MIYAZAKI	PART NO.		PCS-E () L ()			