

0.25 mm Pitch Ultra-low Profile FPC Back-lock Connector

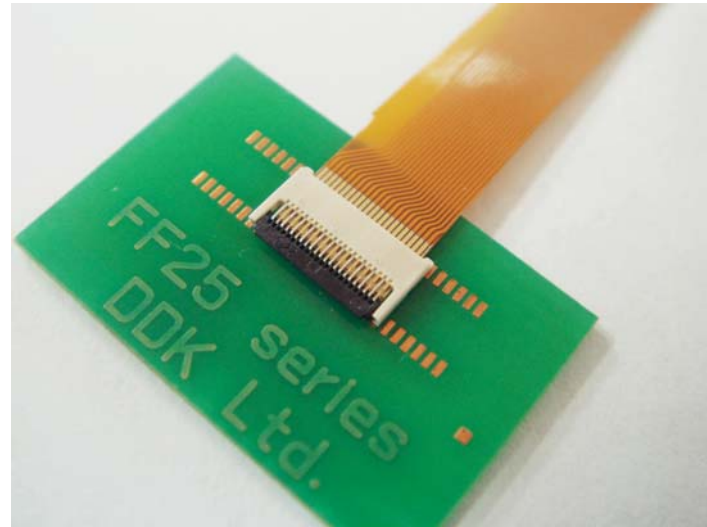
FF25 Series [Upper Contact]



OUTLINE

FF25 series is 0.25mm pitch, depth 3.80mm and 0.66mm connector height.

Ultra-low profile FPC connector .



FEATURE

- DDK's original rotate oval cam lock mechanism; "Back-lock" system ensure the reliable connection.
- The contact position is upper contact.
- Back-lock structure enables to retain FPC against pulling upward direction.
- Connectors deliver with the lock lever opened. Time saving for FPC inserting operation.
- Halogen free

Note : Please do not close the lock lever without inserting the FPC.

APPLICATIONS

Mobile phone, notebook PC, PDA, other Portable devices

SPECIFICATIONS

Rated Voltage	50V AC (r.m.s.)
Rated Current	0.2A / Contact
Dielectric Withstanding Dimensions	200V AC (r.m.s.) / 1 minute
Insulation Resistance	50 M Ω min. at 250V DC
Contact Resistance	80m Ω max.

MATERIAL/FINISH

Item	Material / Finish
Conatct	Copper Alloy / Au (Flash) over Ni
Housing	LCP Resin (UL94V-0) / Ivory
Lock lever	PPS Resin (UL94V-0) / Black

© Specifications and/or dimensions in this catalogue are subject to change without notice.

101110 Your catalogue checking the latest specifications with our drawings would be highly appreciated.

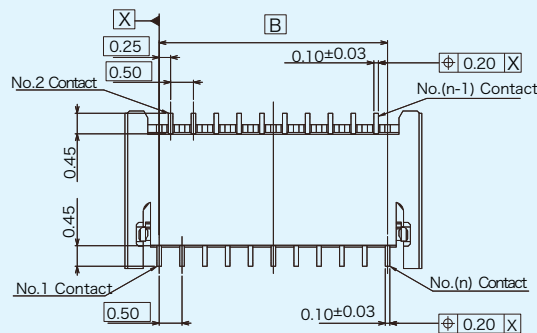
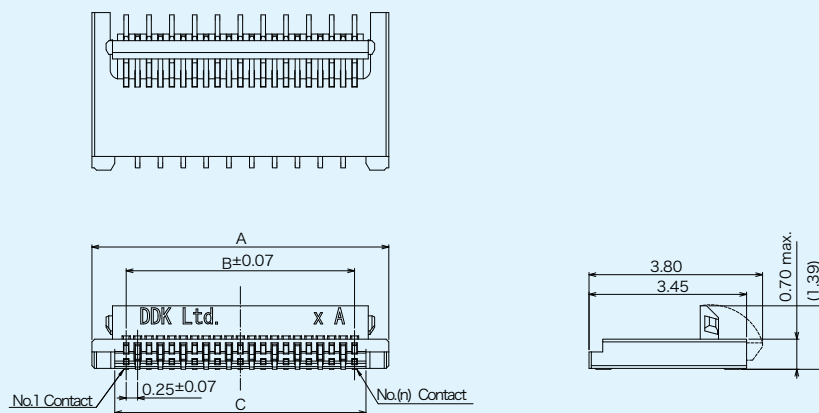
<http://www.ddknet.co.jp>

▶ 0.25mm Pitch FPC Connector [Upper Contact]

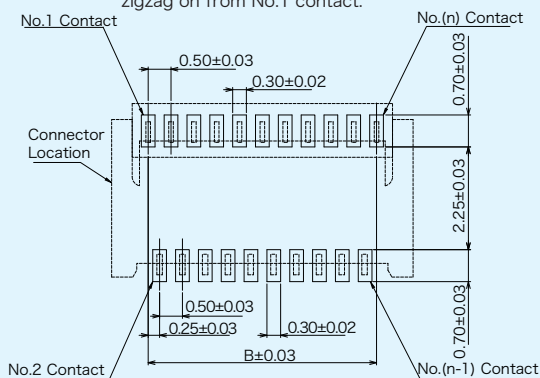
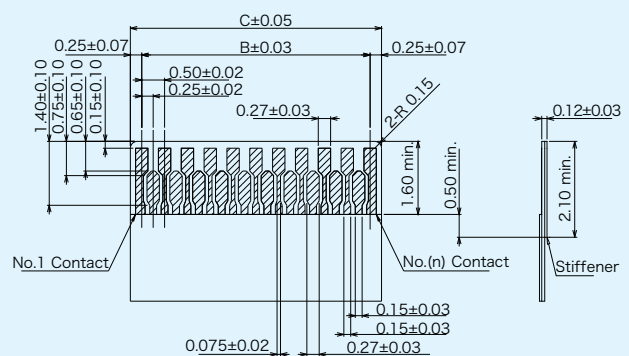
FF25- □□ A-R 1 1 A-3H

① ② ③ ④ ⑤ ⑥ ⑦ ⑧

① Series	FF25
② Number of Contact	Refer to th table 1
③ Contact Position	A : Upper Contact Applicable PCB Thickness : 0.12±0.03mm
④ Contact Style	R : Right Angle
⑤ Contact Tail Length	1 : 0.45mm
⑥ Contact Plating	1 : Au (Flash) over Ni
⑦ Lock Lever Style	A : Standard
⑧ Material	3H : Halogen Free

Dimensions
Odd Number of Contacts

Recommended PCB Mounting Dimensions

Contacts are arranged zigzag on from No.1 contact.

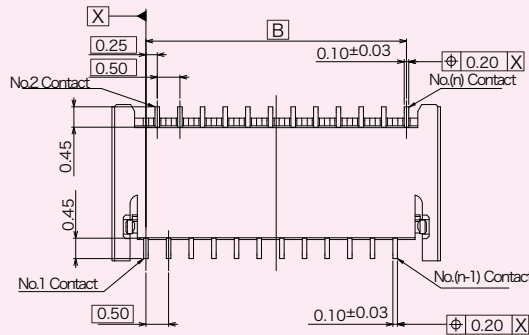
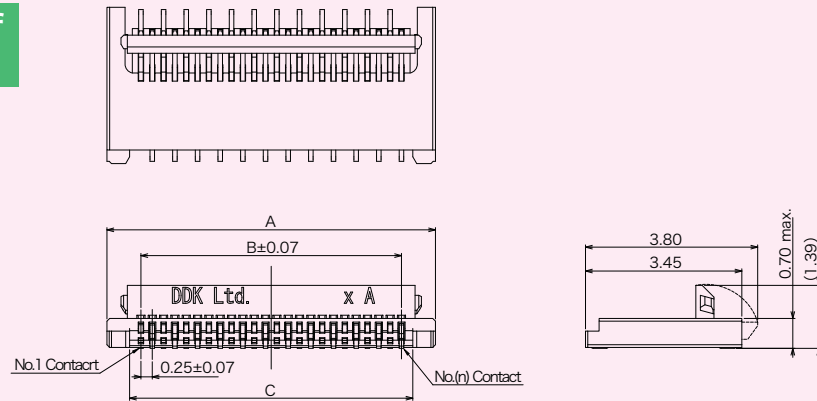

Recommended FPC Dimensions


© Specifications and/or dimensions in this catalogue are subject to change without notice.
 Your catalogue checking the latest specifications with our drawings would be highly appreciated.

0.25mm Pitch FPC Connector [Upper Contact]

Dimensions

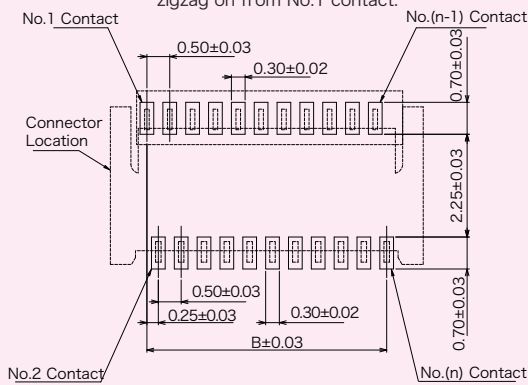
Even Number of Contact



Recommended PCB

Mounting Dimensions

Contacts are arranged zigzag on from No.1 contact.



Recommended

FPC Dimensions

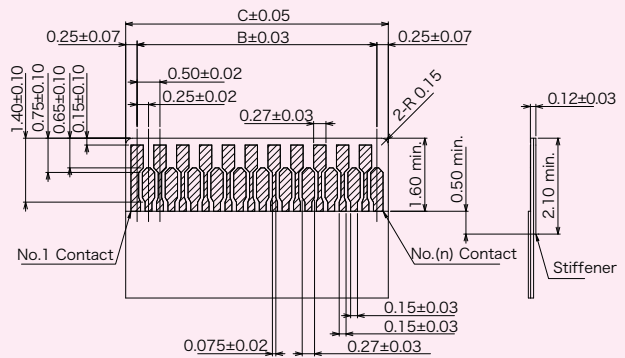


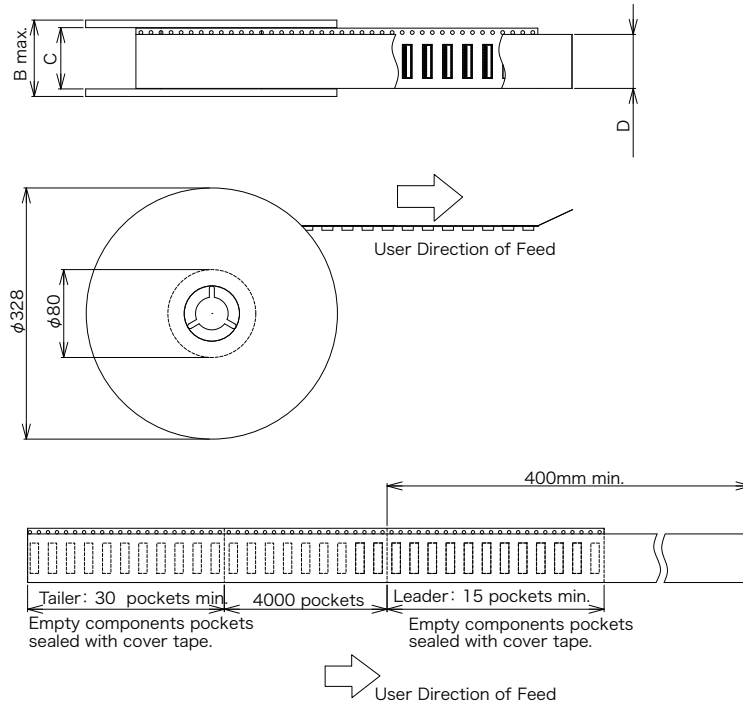
Table-1

Part Number	Number of Contact	A	B	C
FF25-17A-R11A-3H	17	5.50	4.00	4.50
FF25-22A-R11A-3H	22	6.75	5.25	5.75
FF25-25A-R11A-3H	25	7.50	6.00	6.50
FF25-34A-R11A-3H	34	9.75	8.25	8.75

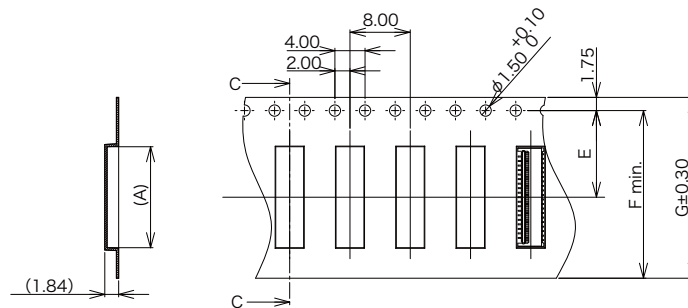
© Specifications and/or dimensions in this catalogue are subject to change without notice.
Your catalogue checking the latest specifications with our drawings would be highly appreciated.

▶ Packing Specifications

■ Reel Dimensions



■ Emboss tape Dimensions



Section C-C

Part Number	Number of Contact	A	B	C	D	E	F	G
FF25-17A-R11A-3H	17	5.80	22.4	16.4	13.5	7.5	14.3	16.0
FF25-22A-R11A-3H	22	7.05	30.4	24.4	21.5	11.5	22.3	24.0
FF25-25A-R11A-3H	25	7.80						
FF25-34A-R11A-3H	34	10.05						

■ Quantity : 4000pcs./Reel