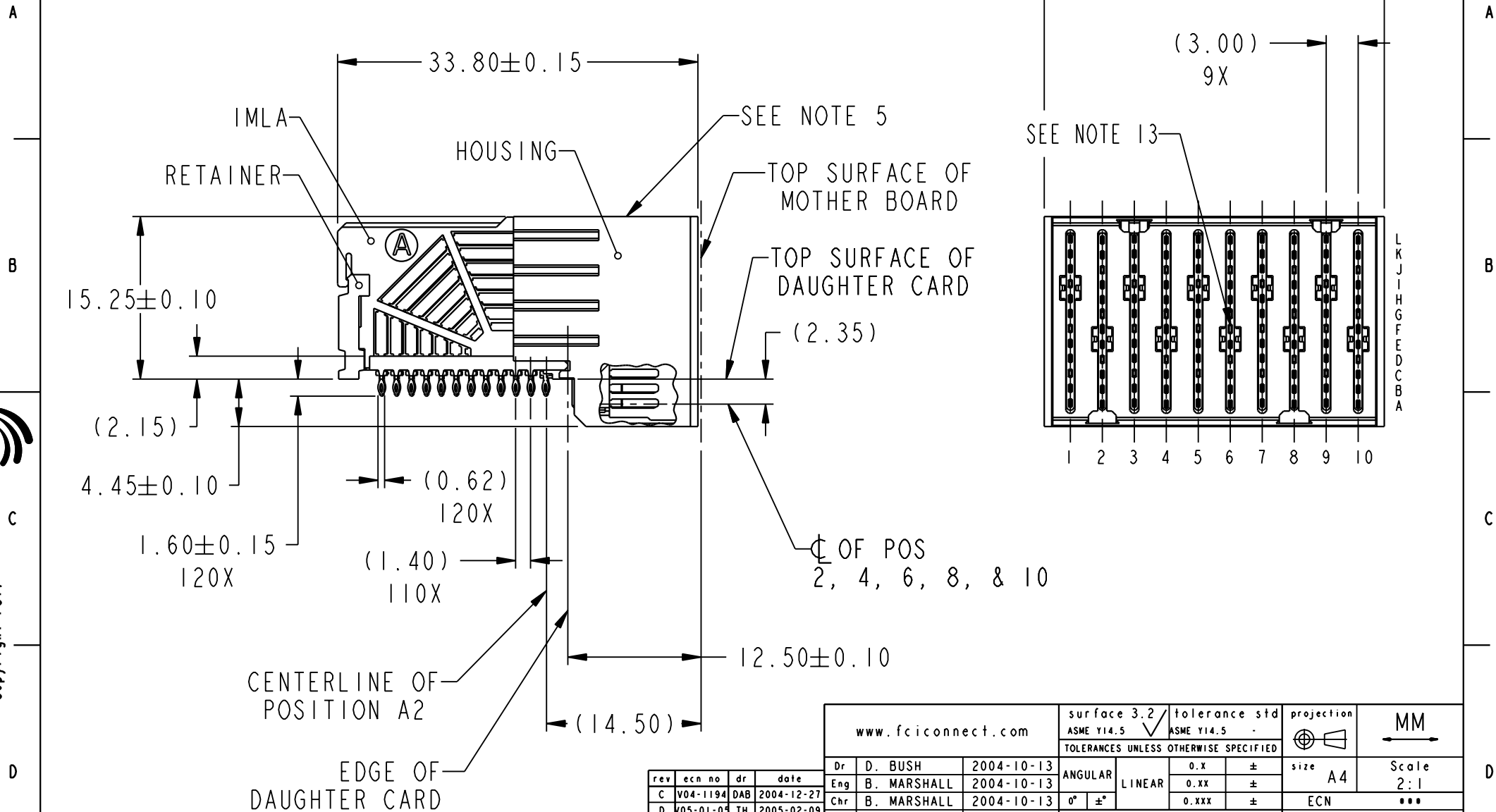


Product number
SEE TABLE, SHEET 5



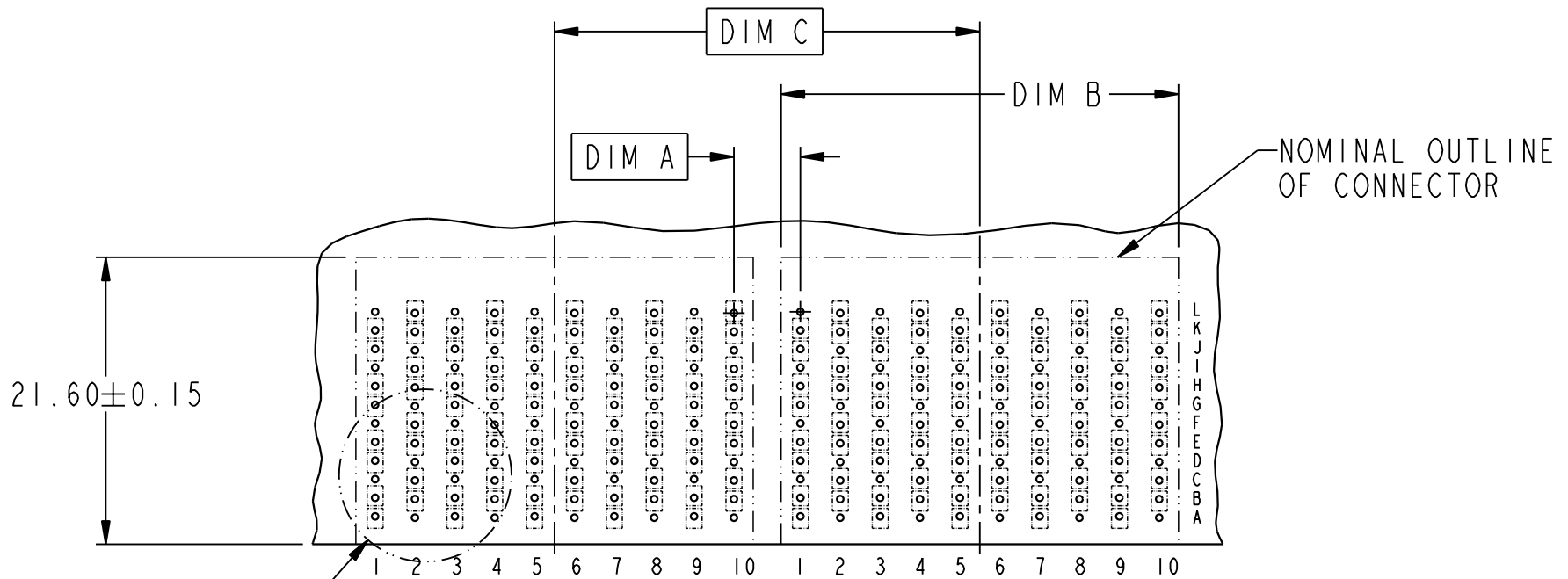
Copyright FCI.

rev	ecn no	dr	date
C	V04-1194	DAB	2004-12-27
D	V05-01-03	TH	2005-02-09
E	V05-0226	MRS	2005-03-17
F	V05-0792	SAW	2005-08-18
G	V06-0209	LRJ	2006-03-01
H	V06-0531	SCS	2006-06-07
J	V06-0956	WJS	2006-09-13

www.fciconnect.com		surface 3.2 ASME Y14.5	tolerance std ASME Y14.5	projection MM
		TOLERANCES UNLESS OTHERWISE SPECIFIED		
Dr	D. BUSH	2004-10-13	ANGULAR	0.X ±
Eng	B. MARSHALL	2004-10-13	LINEAR	0.XX ±
Chr	B. MARSHALL	2004-10-13	0° ±"	0.XXX ±
Appr	B. MARSHALL	2004-10-13	Product family AirMax VS Spec ref	
FCI			AirMax VS R/A HEADER ASSY	
			PRESS-FIT, 120 POS, 32MM	
catalog no			CUSTOMER	
			sheet 1 of 5	

REV F - 2006-04-17

DESCRIPTION	DIM A	DIM B	DIM C
2-32MM MODULES PLACED END-TO-END	5.00	31.90 2X	32.00
1-30MM MODULE & 1-32MM MODULE PLACED END-TO-END	4.00	29.90 1X & 31.90 1X	31.00



RECOMMENDED PCB LAYOUT
FOR DIFFERENTIAL APPLICATIONS
COMPONENT SIDE
(TWO ADJACENT FOOTPRINTS SHOWN)
NOTES 6 & 7

DETAIL A



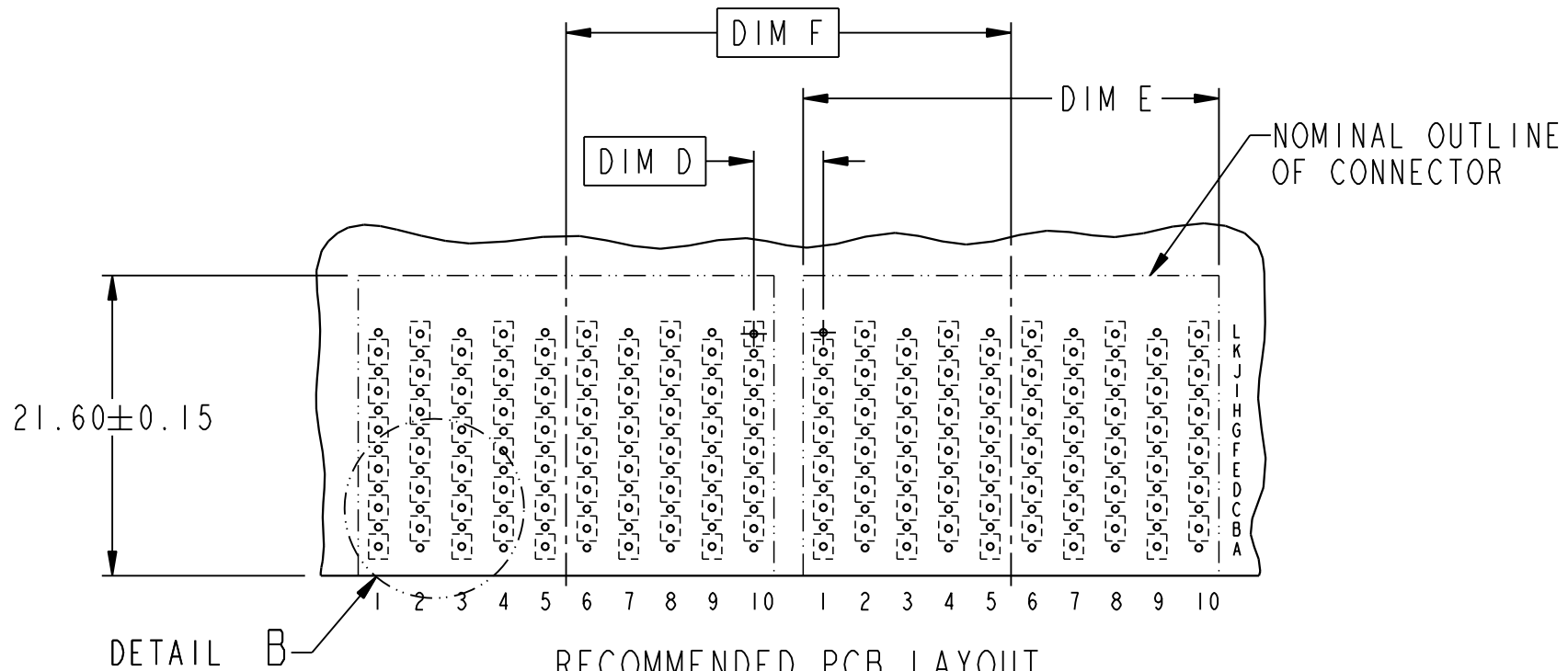
title AirMax VS R/A HEADER ASSY
PRESS-FIT, 120 POS, 32MM
catalog no -

dwg no 10035515

Rev. J

CUSTOMER sheet 2 of 5

DESCRIPTION	DIM D	DIM E	DIM F
2-32MM MODULES PLACED END-TO-END	5.00	31.90 2X	32.00
1-30MM MODULE & 1-32MM MODULE PLACED END-TO-END	4.00	29.90 1X & 31.90 1X	31.00



RECOMMENDED PCB LAYOUT
FOR SINGLE ENDED APPLICATIONS
COMPONENT SIDE
(TWO ADJACENT FOOTPRINTS SHOWN)
NOTES 6 & 7

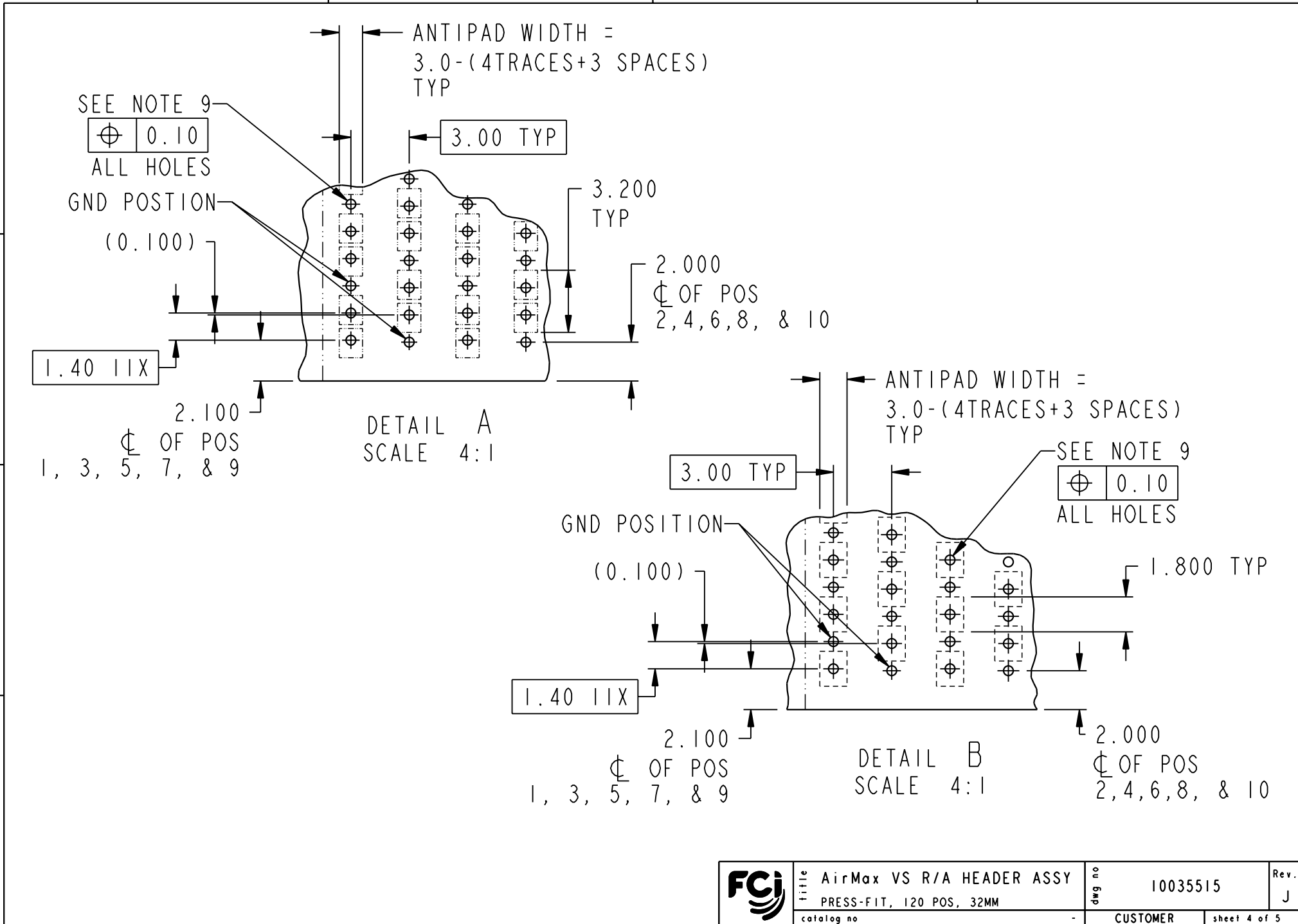


title AirMax VS R/A HEADER ASSY
PRESS-FIT, 120 POS, 32MM
catalog no -

dwg no 10035515
Rev. J
CUSTOMER sheet 3 of 5



Copyright FCI.



REV 7 - 2006-04-17

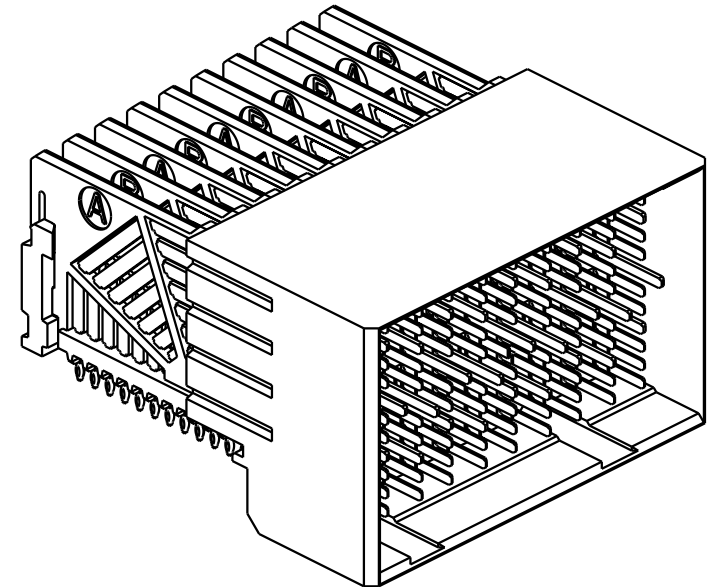


Part no AirMax VS R/A HEADER ASSY
 PRESS-FIT, 120 POS, 32MM
 catalog no -

dwg no 10035515
 CUSTOMER sheet 4 of 5

Rev. J

PART NUMBER	PRESS-FIT TAIL PLATING TYPE	SHORT DETECT CONTACT
10035515-101	TIN/LEAD ALLOY OVER NICKEL	NO
10035515-101LF	TIN OVER NICKEL (LEAD FREE)	
10035515-111	TIN/LEAD ALLOY OVER NICKEL	YES (SEE NOTE 13)
10035515-111LF	TIN OVER NICKEL (LEAD FREE)	



NOTES:

1. CONNECTOR MATERIALS:
 HOUSING & RETAINER: HIGH TEMP THERMOPLASTIC, NATURAL, UL94V-0
 IMLA PLASTIC: HIGH TEMP THERMOPLASTIC, BLACK, UL94V-0
 CONTACT: COPPER ALLOY

2. CONTACT PLATING:
 SEPARABLE INTERFACE:
 PERFORMANCE-BASED PLATING, QUALIFIED TO MEET THE REQUIREMENTS OF FCI PRODUCT SPECIFICATION GS-12-239, INCLUDING TELCORDIA GR-1217-CORE (NOVEMBER 1995) CENTRAL OFFICE
 PRESS-FIT TAILS: SEE TABLE

3. PRODUCT SPECIFICATION: GS-12-239

4. APPLICATION SPECIFICATION: GS-20-035

5. PRODUCT MARKING, (PART NUMBER & LOT CODE), ON THIS SURFACE

6. REFER TO CUSTOMER DRAWING 10035911 FOR INFORMATION REGARDING PCB LAYOUT OF POWER AND GUIDE MODULES RELATIVE TO SIGNAL MODULES

7. POSITIONS F OF ODD NUMBERED COLUMNS AND POSITIONS G OF EVEN NUMBERED COLUMNS CORRESPOND TO EARLY MATE HEADER PINS

8. THERE IS NO GROUND BUSSING WITHIN THE CONNECTOR SYSTEM

9. REFER TO CUSTOMER DRAWING 10045979 FOR INFORMATION ON PCB HOLE DIAMETERS AND PLATING OPTIONS.

10. THIS PRODUCT MEETS EUROPEAN UNION DIRECTIVES AND OTHER COUNTRY REGULATIONS AS DESCRIBED IN GS-22-008.

11. THE HOUSING WILL WITHSTAND EXPOSURE TO 260°C PEAK TEMPERATURE FOR 40 SECONDS IN A CONVECTION, INFRA-RED OR VAPOR PHASE REFLOW OVEN.

12. PACKAGING MEETS GS-14-920 LEAD FREE LABELING SPECIFICATION.

13. MATING PIN F6 HAS 0.5mm LESS NOMINAL WIPE THAN THE SHORTEST SIGNAL PIN.



Copyright FCI.

FCI	title	AirMax VS R/A HEADER ASSY	dwg no	10035515	Rev.	J
	catalog no	PRESS-FIT, 120 POS, 32MM	-	CUSTOMER	sheet 5 of 5	