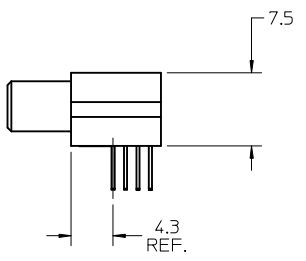
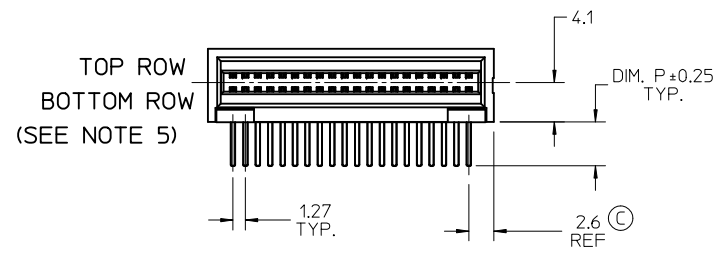
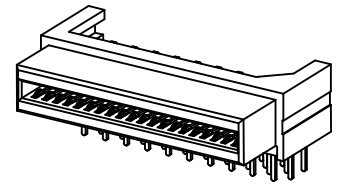
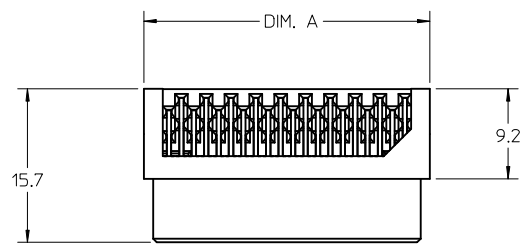


10 9 8 7 6 5 4 3 2 1



NO OF SIGNAL	MATERIAL NUMBER	DIM A	DIM P	PCB THK
12	45984-0111	11.5	4.50	3.18
16	45984-0121	14.0		
20	45984-0131	16.5		
24	45984-0141	19.1		
28	45984-0151	21.6		
32	45984-0161	24.2		
36	45984-0171	26.7	3.60	2.36
40	45984-0181	29.2		
12	45984-0112	11.5		
16	45984-0122	14.0		
20	45984-0132	16.5		
24	45984-0142	19.1		
28	45984-0152	21.6	2.90	1.57
32	45984-0162	24.2		
36	45984-0172	26.7		
40	45984-0182	29.2		
12	45984-0113	11.5		
16	45984-0123	14.0		
20	45984-0133	16.5		
24	45984-0143	19.1		
28	45984-0153	21.6		
32	45984-0163	24.2		
36	45984-0173	26.7		
40	45984-0183	29.2		

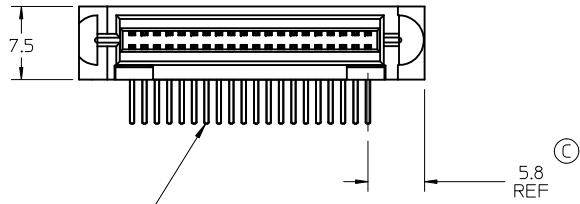
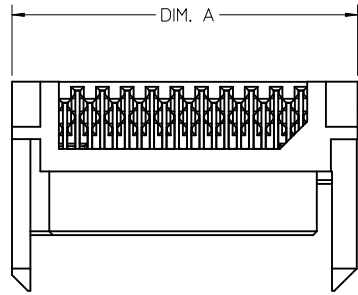
NOTES:

1. MATERIAL: HOUSING - GLASS FILLED LCP (LIQUID CRYSTAL POLYMER, UL94V-0, COLOR: BLACK  
TERMINALS - COPPER ALLOY
2. PLATING: 0.76 MICROMETER/(30 MICROINCH) MINIMUM SELECT GOLD  
3.81 MICROMETER (150 MICROINCH) MINIMUM TIN, BOTH OVER  
1.27 MICROMETER/(50 MICROINCH) MINIMUM NICKEL OVERALL.
3. PRODUCT SPECIFICATION: PS-45984-001.
4. PACKAGING SPECIFICATION: 45984-02\*\* AND 45984-04\*\* TRAY PACK PER PK-45984-001. 45984-01\*\* AND 45984-03\*\* TRAY PACK PER PK-45984-002.
5. SEE SHEET 5 FOR CIRCUIT IDENTIFICATION
6. MATES WITH 45985 SERIES PLUG ASSEMBLY OR 157/0.62 CARD EDGE.
7. PARTS ARE RoHS COMPLIANT.

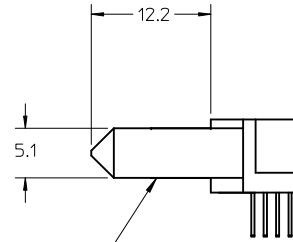
<b>MODIFY HSG NOTE</b> EC NO: UCP2012-0902 DRW:DMORGAN 2011/09/26 CHK:CHIBARRA 2011/09/26 APPR:SMILLER 2011/11/09	QUALITY SYMBOLS ▽=0 ▽=0 ▽=0	GENERAL TOLERANCES (UNLESS SPECIFIED) mm INCH 4 PLACES ± --- ± --- 3 PLACES ± --- ± --- 2 PLACES ± 0.25 ± --- 1 PLACE ± --- ± --- ANGULAR ±1/2°	DIMENSION STYLE <b>MM ONLY</b> DRAWN BY DATE BANDURA 2006/04/24 CHECKED BY DATE BANDURA 2006/04/24 APPROVED BY DATE PATEL 2006/04/28	SCALE <b>2:1</b> DESIGN UNITS <b>METRIC</b> THIRD ANGLE PROJECTION	TITLE <b>LPH RECEPTACLE ASSEMBLY SIGNAL CONNECTOR</b>	MATERIAL NO. <b>SEE CHARTS</b>	DOCUMENT NO. <b>SD-45984-483</b>	SHEET NO. <b>1 OF 5</b>
	DRAFT WHERE APPLICABLE MUST REMAIN WITHIN DIMENSIONS		THIS DRAWING CONTAINS INFORMATION THAT IS PROPRIETARY TO MOLEX INCORPORATED AND SHOULD NOT BE USED WITHOUT WRITTEN PERMISSION					
	D		B					
	REV		B					

9 8 7 6 5 4 3 2 1

10 9 8 7 6 5 4 3 2 1



NUMBER OF SIGNAL  
TERMINALS OPTIONAL  
(SEE CHART)

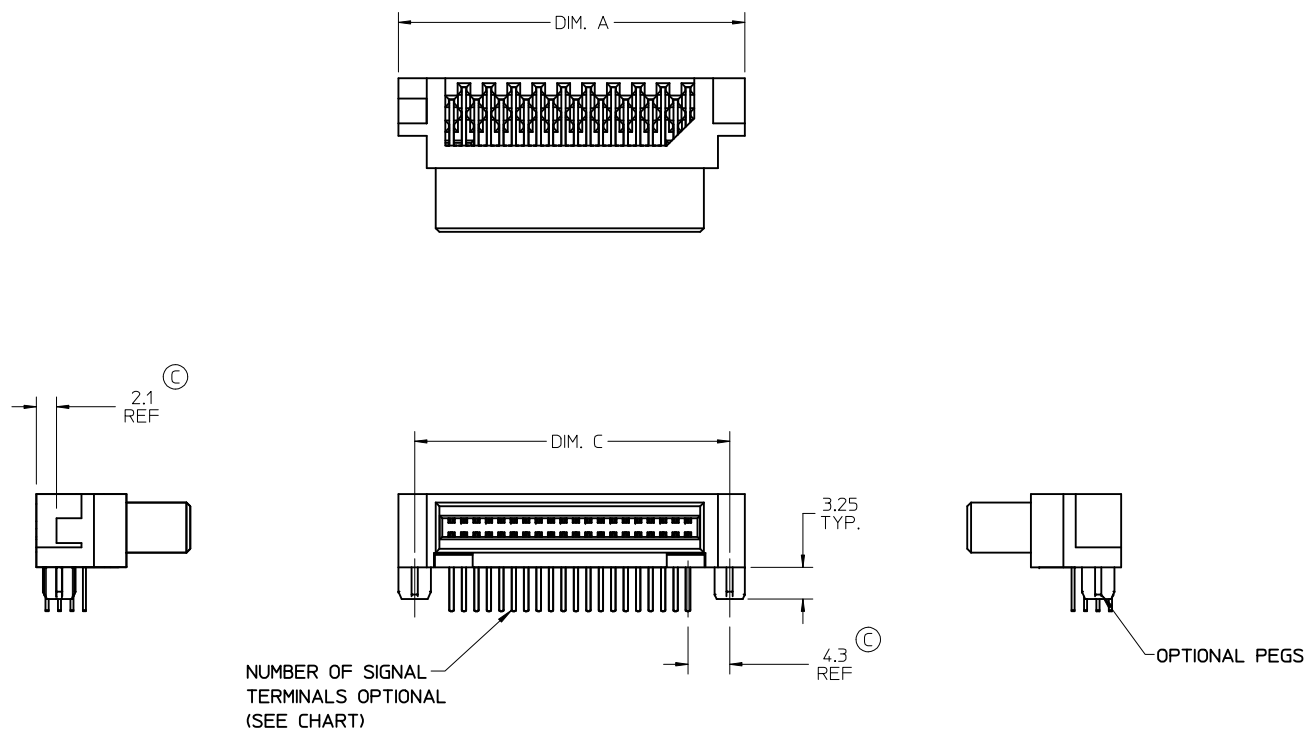


NO OF SIGNAL	MATERIAL NUMBER	DIM A	DIM P	PCB THK
12	45984-0211	17.6	4.50	3.18
16	45984-0221	20.1		
20	45984-0231	22.6		
24	45984-0241	25.2		
28	45984-0251	27.7		
32	45984-0261	30.3		
36	45984-0271	32.8	3.60	2.36
40	45984-0281	35.4		
12	45984-0212	17.6		
16	45984-0222	20.1		
20	45984-0232	22.6		
24	45984-0242	25.2		
28	45984-0252	27.7	2.90	1.57
32	45984-0262	30.3		
36	45984-0272	32.8		
40	45984-0282	35.4		
12	45984-0213	17.6		
16	45984-0223	20.1		
20	45984-0233	22.6	2.90	1.57
24	45984-0243	25.2		
28	45984-0253	27.7		
32	45984-0263	30.3		
36	45984-0273	32.8		
40	45984-0283	35.4		

SEE SHEET 1 EC NO: UCP2012-0902 DRWN:DMORGAN 2011/09/26 CHKD:MIBARRA 2011/09/26 APPR:SMILLER 2011/11/09	REV DESCRIPTION	QUALITY SYMBOLS	GENERAL TOLERANCES (UNLESS SPECIFIED)		DIMENSION STYLE MM ONLY		SCALE 2:1	DESIGN UNITS METRIC	THIRD ANGLE PROJECTION	
		▽/0	mm	INCH	DRAWN BY BANDURA	DATE 2006/04/24	TITLE LPH RECEPTACLE ASSEMBLY SIGNAL CONNECTOR	MOLEX INCORPORATED	DOCUMENT NO. SD-45984-483	SHEET NO. 2 OF 5
		▽/0	4 PLACES ±---	±---	CHECKED BY BANDURA	DATE 2006/04/24				
		▽/0	3 PLACES ±0.25	±---	APPROVED BY PATEL	DATE 2006/04/28	MATERIAL NO. SEE CHART			
DRAFT WHERE APPLICABLE MUST REMAIN WITHIN DIMENSIONS			ANGULAR ±1/2°		THIS DRAWING CONTAINS INFORMATION THAT IS PROPRIETARY TO MOLEX INCORPORATED AND SHOULD NOT BE USED WITHOUT WRITTEN PERMISSION					

9 8 7 6 5 4 3 2 1

10 9 8 7 6 5 4 3 2 1

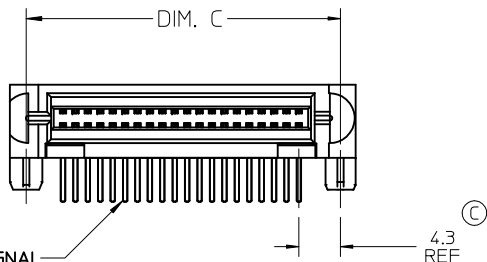
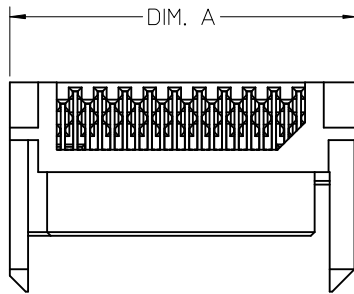


NO OF SIGNAL	MATERIAL NUMBER	DIM A	DIM C	DIM P	PCB THK
12	45984-0311	17.6	14.37	4.50	3.18
16	45984-0321	20.1	16.91		
20	45984-0331	22.6	19.45		
24	45984-0341	25.2	21.99		
28	45984-0351	27.7	24.53		
32	45984-0361	30.3	27.07	3.60	2.36
36	45984-0371	32.8	29.61		
40	45984-0381	35.4	32.15		
12	45984-0312	17.6	14.37		
16	45984-0322	20.1	16.91		
20	45984-0332	22.6	19.45	2.90	1.57
24	45984-0342	25.2	21.99		
28	45984-0352	27.7	24.53		
32	45984-0362	30.3	27.07		
36	45984-0372	32.8	29.61		
40	45984-0382	35.4	32.15	2.90	1.57
12	45984-0313	17.6	14.37		
16	45984-0323	20.1	16.91		
20	45984-0333	22.6	19.45		
24	45984-0343	25.2	21.99		
28	45984-0353	27.7	24.53	2.90	1.57
32	45984-0363	30.3	27.07		
36	45984-0373	32.8	29.61		
40	45984-0383	35.4	32.15		

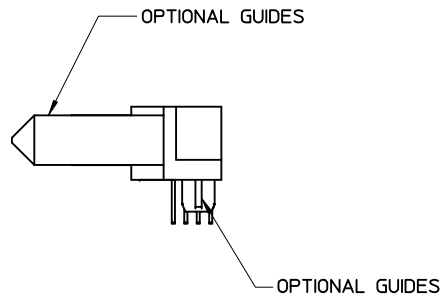
SEE SHEET 1 EC NO: UCP2012-0902 DRWN:DMORGAN 2011/09/26 CHKD:MBARRA 2011/09/26 APPR:SMILLER 2011/11/09	QUALITY SYMBOLS	GENERAL TOLERANCES (UNLESS SPECIFIED)	DIMENSION STYLE	SCALE	DESIGN UNITS	THIRD ANGLE PROJECTION
	$\nabla F/0$ $\nabla E/0$ $\nabla B/0$	mm      INCH 4 PLACES ± --- ± --- 3 PLACES ± --- ± --- 2 PLACES ± 0.25 ± --- 1 PLACE ± --- ± --- ANGULAR ± 1/2°	MM ONLY	2:1	METRIC	
	DESCRIPTION	DRAFT WHERE APPLICABLE MUST REMAIN WITHIN DIMENSIONS	DRAWN BY DATE BANDURA 2006/04/24 CHECKED BY DATE BANDURA 2006/04/24 APPROVED BY DATE PATEL 2006/04/28	TITLE	LPH RECEPTACLE ASSEMBLY SIGNAL CONNECTOR	
	REV		MATERIAL NO.	SEE CHART	DOCUMENT NO.	MOLEX INCORPORATED SD-45984-483 SHEET NO. 3 OF 5

9 8 7 6 5 4 3 2 1

10 9 8 7 6 5 4 3 2 1



NUMBER OF SIGNAL  
TERMINALS OPTIONAL  
(SEE CHART)

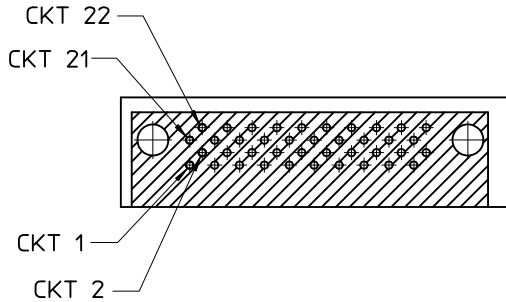
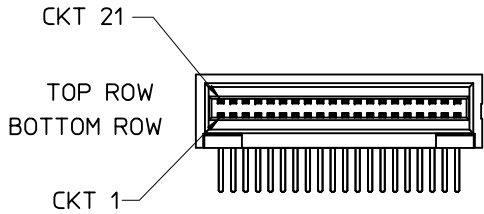


NO OF SIGNAL	MATERIAL NUMBER	DIM A	DIM C	DIM P	PCB THK
12	45984-0411	17.6	14.37	4.50	3.18
16	45984-0421	20.1	16.91		
20	45984-0431	22.6	19.45		
24	45984-0441	25.2	21.99		
28	45984-0451	27.7	24.53		
32	45984-0461	30.3	27.07	3.60	2.36
36	45984-0471	32.8	29.61		
40	45984-0481	35.4	32.15		
12	45984-0412	17.6	14.37		
16	45984-0422	20.1	16.91		
20	45984-0432	22.6	19.45	2.90	1.57
24	45984-0442	25.2	21.99		
28	45984-0452	27.7	24.53		
32	45984-0462	30.3	27.07		
36	45984-0472	32.8	29.61		
40	45984-0482	35.4	32.15	2.90	1.57
12	45984-0413	17.6	14.37		
16	45984-0423	20.1	16.91		
20	45984-0433	22.6	19.45		
24	45984-0443	25.2	21.99		
28	45984-0453	27.7	24.53		
32	45984-0463	30.3	27.07		
36	45984-0473	32.8	29.61		
40	45984-0483	35.4	32.15		

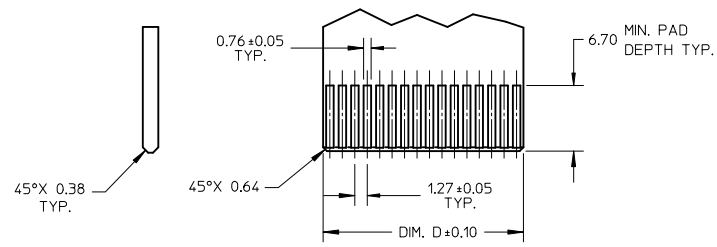
SEE SHEET 1 EC NO: UCP2012-0902 DRW:DMORGAN 2011/09/26 CHKD:MIIBARRA 2011/09/26 APPR:SMILLER 2011/11/09	REV DESCRIPTION D	QUALITY SYMBOLS	GENERAL TOLERANCES (UNLESS SPECIFIED)	DIMENSION STYLE MM ONLY	SCALE 2:1	DESIGN UNITS METRIC	THIRD ANGLE PROJECTION
		$\nabla = 0$ $\nabla = 0$ $\nabla = 0$	mm INCH 4 PLACES ± --- ± --- 3 PLACES ± --- ± --- 2 PLACES ± 0.25 ± --- 1 PLACE ± --- ± --- ANGULAR ± 1/2°	DRAWN BY DATE BANDURA 2006/04/24 CHECKED BY DATE BANDURA 2006/04/24 APPROVED BY DATE PATEL 2006/04/28	TITLE LPH RECEPTACLE ASSEMBLY SIGNAL CONNECTOR		
		DRAFT WHERE APPLICABLE MUST REMAIN WITHIN DIMENSIONS	MATERIAL NO. SEE CHART	DOCUMENT NO. SD-45984-483	SHEET NO. 4 OF 5		
		THIS DRAWING CONTAINS INFORMATION THAT IS PROPRIETARY TO MOLEX INCORPORATED AND SHOULD NOT BE USED WITHOUT WRITTEN PERMISSION					

9 8 7 6 5 4 3 2 1

10 9 8 7 6 5 4 3 2 1

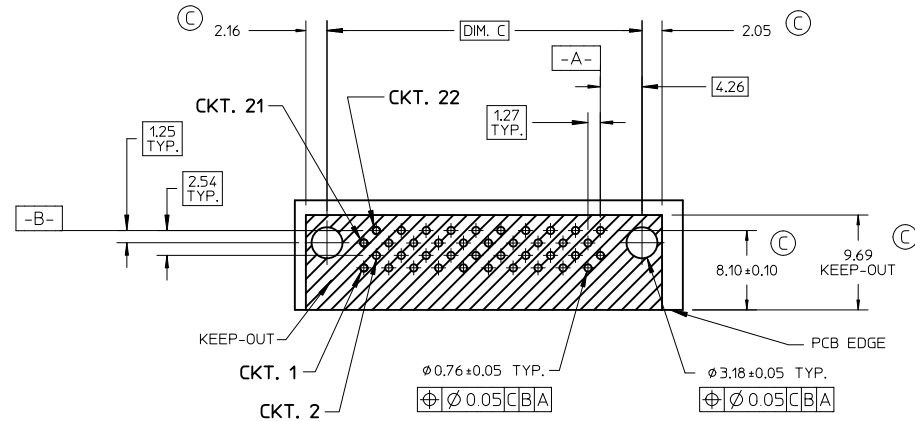
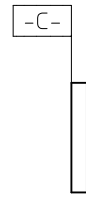


CIRCUIT IDENTIFICATION  
(40 CIRCUIT SHOWN)



RECOMMENDED CARD EDGE LAYOUT  
CARD EDGE THICKNESS: 1.57±0.15

NO. OF SIGNAL	DIM. C	DIM. D
12	14.37	8.00
16	16.91	10.44
20	19.45	13.08
24	21.99	15.62
28	24.53	18.16
32	27.07	20.70
36	29.61	23.24
40	32.15	25.78



RECOMMENDED PCB LAYOUT  
SHOWN FROM COMPONENT SIDE

SEE SHEET 1 EC NO: UCP2012-0902 DRWN:DMORGAN 2011/09/26 CHKD:MIBARRA 2011/09/26 APPR:SMILLER 2011/11/09	DESCRIPTION REV	QUALITY SYMBOLS	GENERAL TOLERANCES (UNLESS SPECIFIED)	DIMENSION STYLE MM ONLY	SCALE 2:1	DESIGN UNITS METRIC	THIRD ANGLE PROJECTION
		$\nabla = 0$ $\nabla = 0$ $\nabla = 0$	mm INCH 4 PLACES ± --- ± --- 3 PLACES ± --- ± --- 2 PLACES ± 0.25 ± --- 1 PLACE ± --- ± --- ANGULAR ± 1/2°	DRAWN BY DATE BANDURA 2006/04/24 CHECKED BY DATE BANDURA 2006/04/24 APPROVED BY DATE PATEL 2006/04/28	TITLE		
		DRAFT WHERE APPLICABLE MUST REMAIN WITHIN DIMENSIONS	SEE CHARTS	MATERIAL NO.	LPH RECEPTACLE ASSEMBLY SIGNAL CONNECTOR  MOLEX INCORPORATED DOCUMENT NO. SD-45984-483		
			SIZE B		SHEET NO. 5 OF 5		

9 8 7 6 5 4 3 2 1