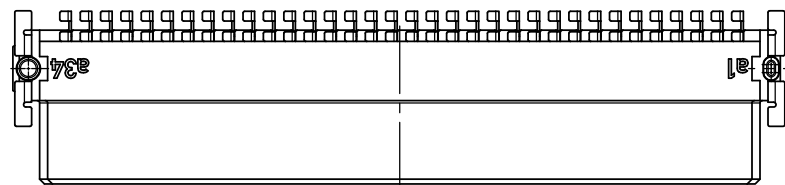
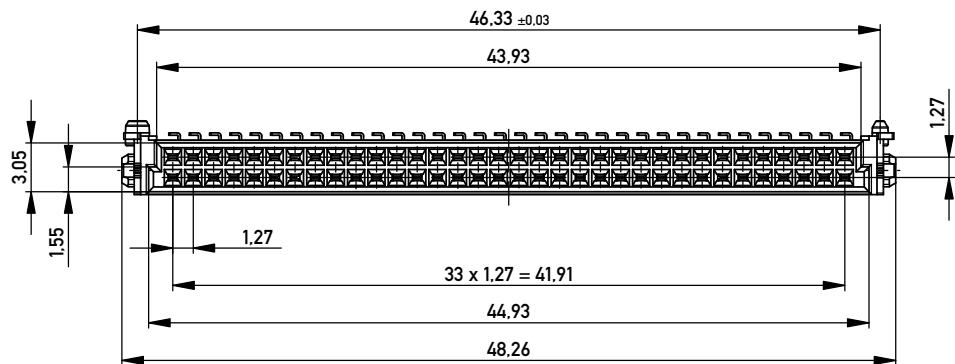
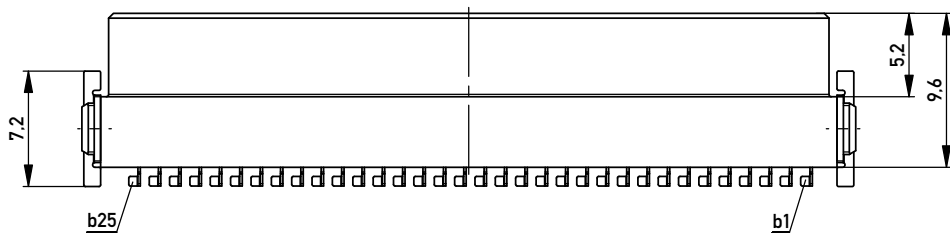
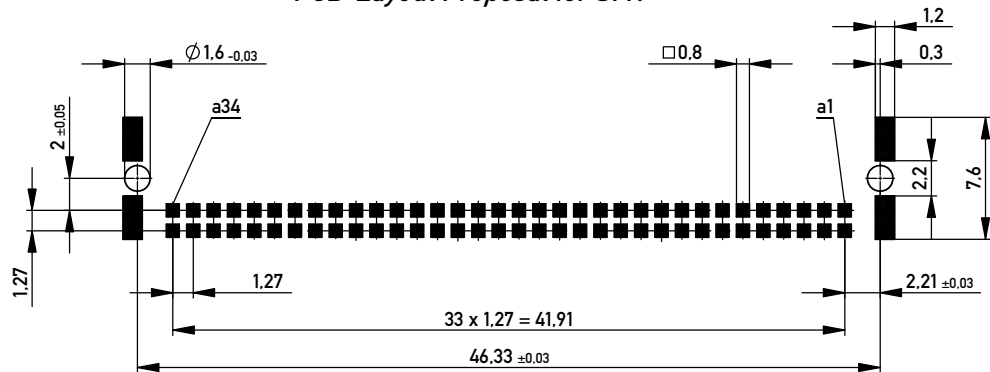
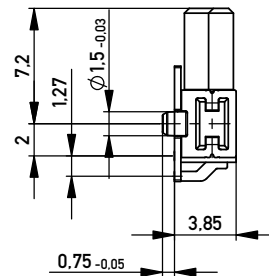
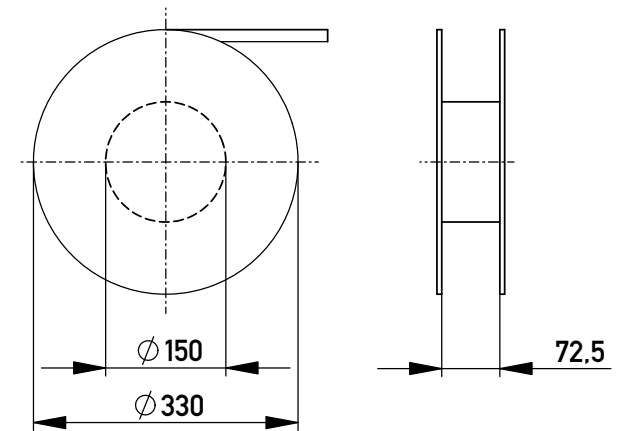


Leiterplatten-Layout Vorschlag für SMT
PCB-Layout Proposal for SMT



Verpackt in Gurtverpackung - Tape on Reel Packaging
Verpackungseinheit: 560 Stück - Packaging unit: 560 pcs



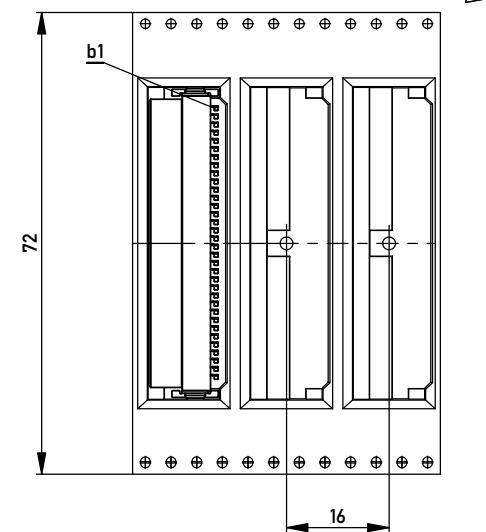
Anforderungsstufe 1
Performance Level 1

Kontaktbereich vergoldet
Mating Area gold plating

Anschlussbereich verzinkt 4-6 μm
Terminal Area 4-6 μm tin plating

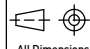

Koplanarität der Anschlüsse $\leq 0.1 \text{ mm}$
Coplanarity Area of Termination $\leq 0.1 \text{ mm}$

Abspulrichtung - Reel off Direction



BA7-03 - Standard Bauhöhe

type7-03 - standard assembly height

Information:		Tolerances		Scale	3:1
All rights reserved. Only for Information. To ensure that this is the latest version of this drawing, please contact one of the ERNI companies before using.		All Dimensions in mm		Designation	
Subject to modification without prior notice. Drawing will not be updated.				Federl. SMC-Q 68-SMD-BA7-03 Female SMC-Q 68-SMD-type7-03	
www.ERNI.com		154743		I	
e	04.04.2011	Class		SMCQ	
Index	Date			A3	

Copyright by ERNI GmbH
Proprietary notice pursuant to ISO 16016 to be observed.