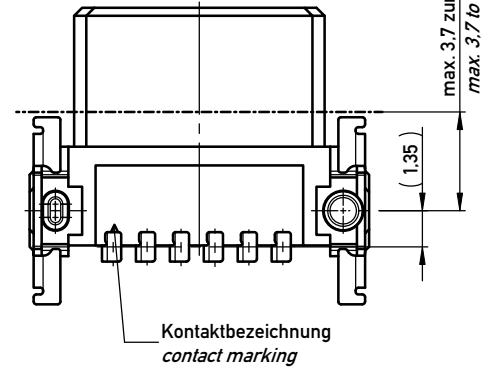
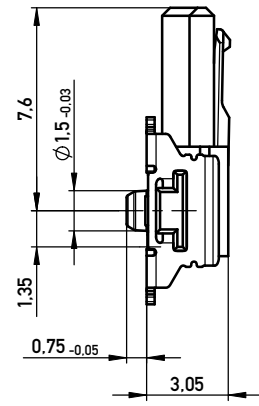
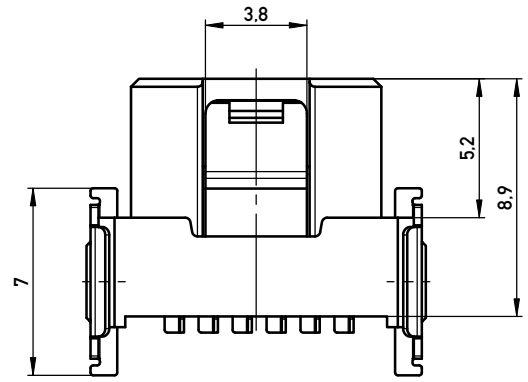
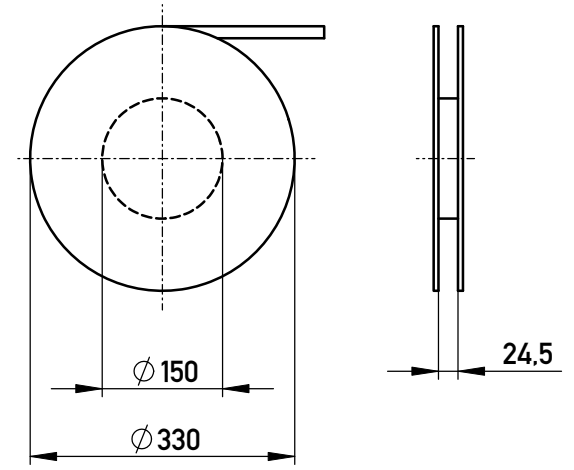
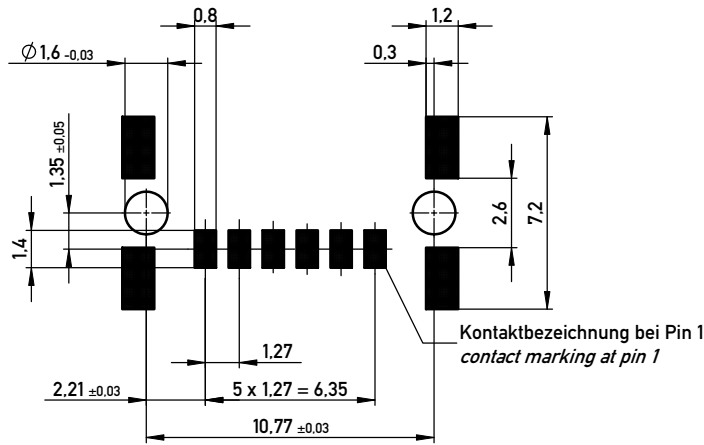


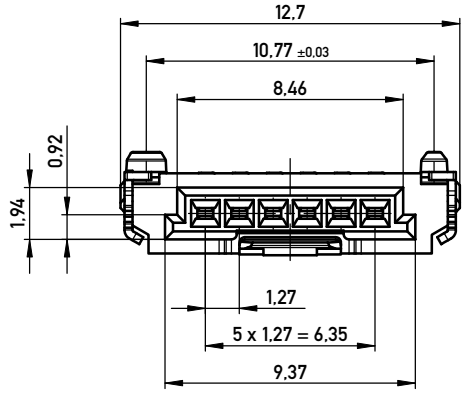
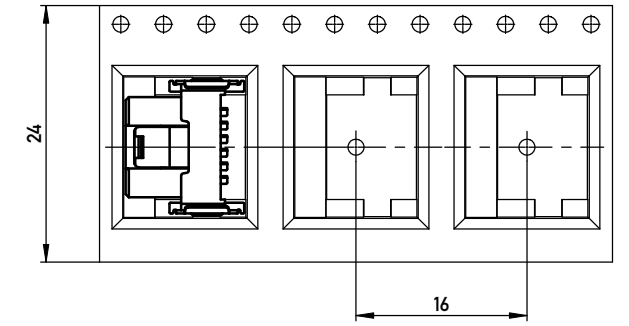
Leiterplatten-Layout Vorschlag für SMT
PCB-Layout Proposal for SMT

Verpackt in Gurtverpackung - *Tape on Reel Packaging*
Verpackungseinheit: 850 Stück - *Packaging unit: 850 pcs*



max. 3.7 zur Leiterplattenkante
max. 3.7 to board edge

Abspulrichtung - *Reel off Direction*



Anforderungsstufe 1
Performance Level 1

Kontaktbereich vergoldet
Mating Area gold plating

Anschlussbereich verzinkt 4-6 µm
Terminal Area 4-6 µm tin plating

Koplanarität der Anschlüsse ≤ 0.1 mm
Coplanarity Area of Termination ≤ 0.1 mm

Information:
ohne Hilfsmittel lösbar
without tool unlockable

All rights reserved.
Only for Information.
To ensure that this is the latest version of this drawing, please contact one of the ERNI companies before using.

Tolerances

All Dimensions in mm

Scale 5:1

Designation

mit Verriegelung
with locking mechanism

1.27 SRC P, 6-polig
1.27 SRC P, 6-pin

384804

I
A3

Copyright by ERNI GmbH
Proprietary notice pursuant to ISO 16016 to be observed.

a Index

18.11.2009 Date

ERNI www.ERNI.com

Class SRCP