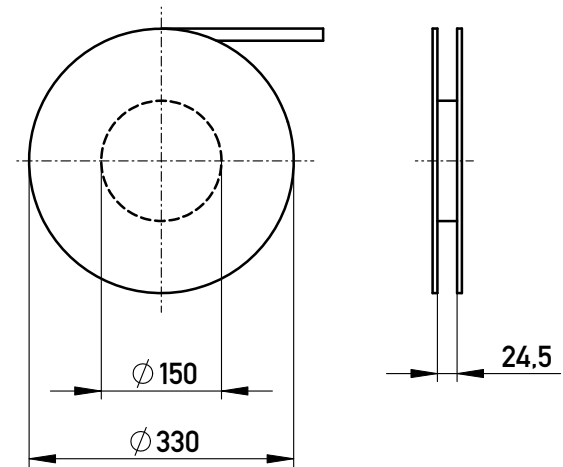
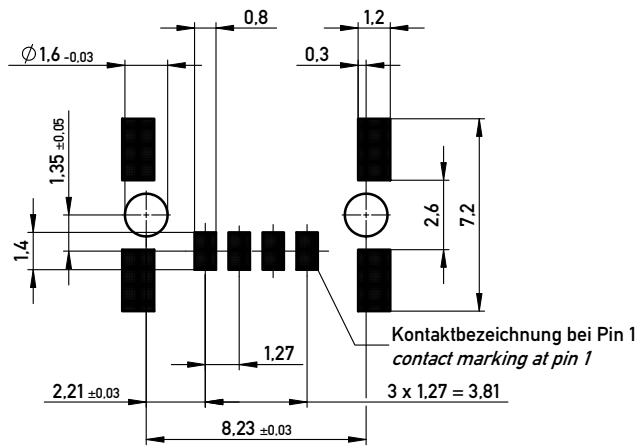
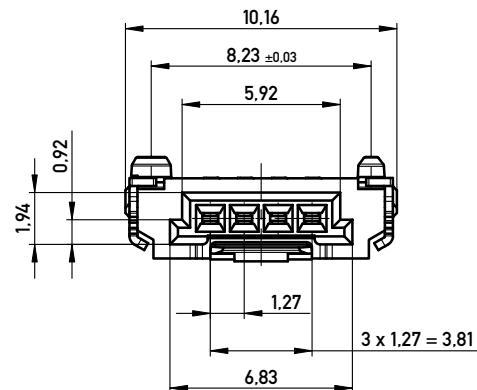
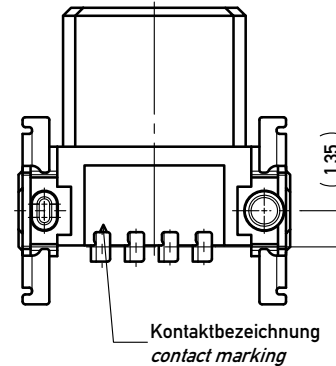
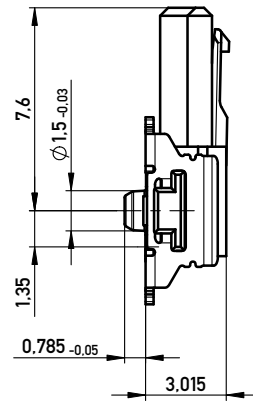
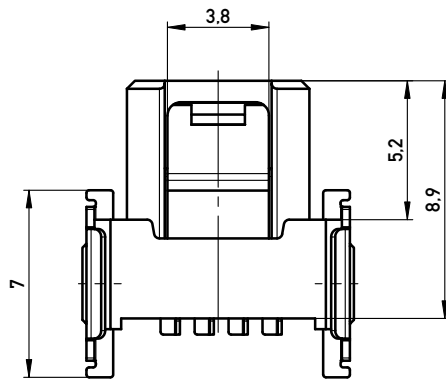
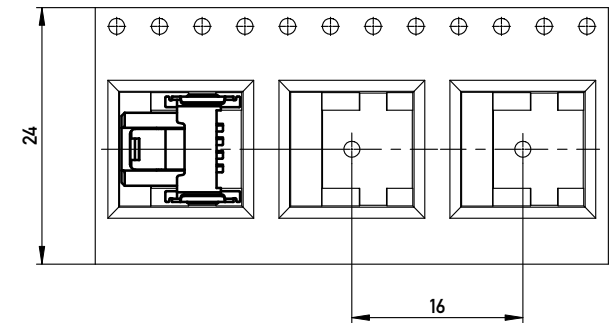


Leiterplatten-Layout Vorschlag für SMT  
PCB-Layout Proposal for SMT

Verpackt in Gurtverpackung - *Tape on Reel Packaging*  
Verpackungseinheit: 850 Stück - *Packaging unit: 850 pcs*



Abspulrichtung - *Reel off Direction*



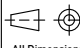
Anforderungsstufe 1  
*Performance Level 1*

Kontaktbereich vergoldet  
*Mating Area gold plating*

Anschlussbereich verzinkt 4-6  $\mu\text{m}$   
*Terminal Area 4-6  $\mu\text{m}$  tin plating*

Koplanarität der Anschlüsse  $\leq 0.1 \text{ mm}$   
*Coplanarity Area of Termination  $\leq 0.1 \text{ mm}$*

Copyright by ERNI GmbH  
Proprietary notice pursuant to ISO 16016 to be observed.

Information: nur mit Hilfsmittel lösbar <i>only with tool unlockable</i>		Tolerances  All Dimensions in mm	Scale 5:1	mit Verriegelung <i>with locking mechanism</i>	
All rights reserved. Only for Information. To ensure that this is the latest version of this drawing, please contact one of the ERNI companies before using.		Subject to modification without prior notice. Drawing will not be updated.	Designation <b>1.27 SRC P, 4-polig</b> <b>1,27 SRC P, 4-pin</b>		
-		03.06.2009	ERNI www.ERNI.com		1
Index	Date		Class SRCP		A3