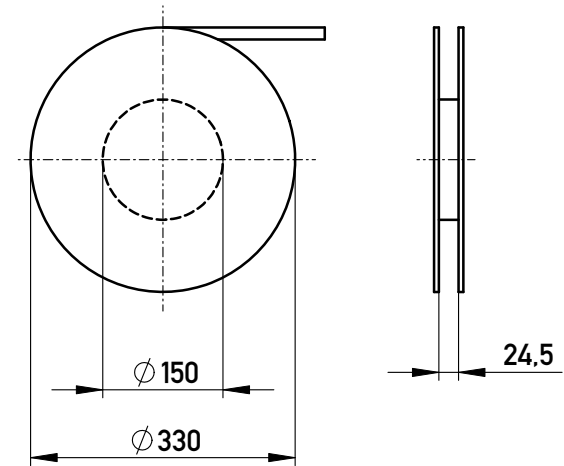
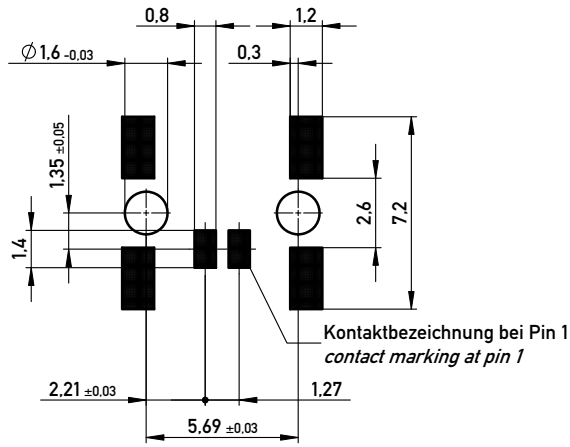
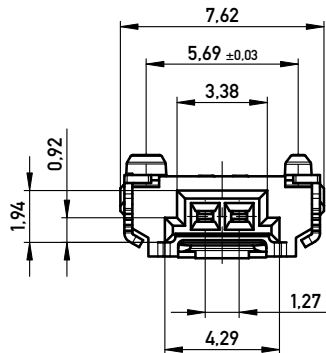
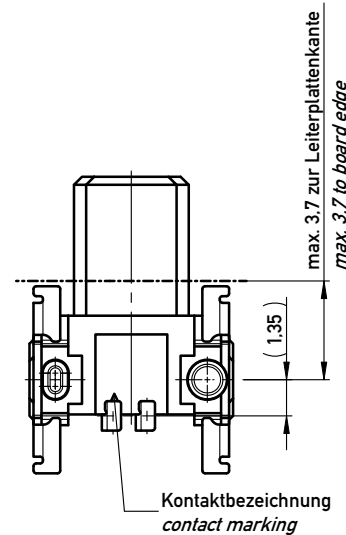
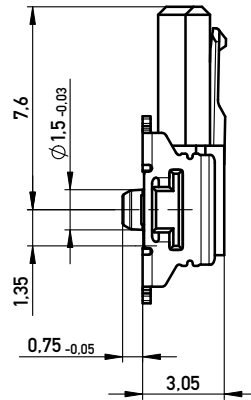
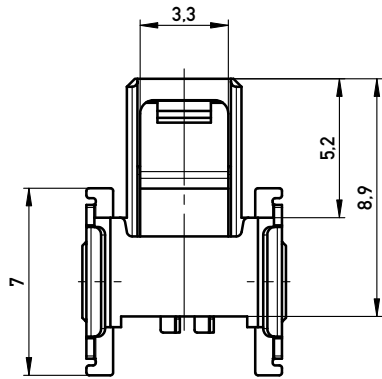
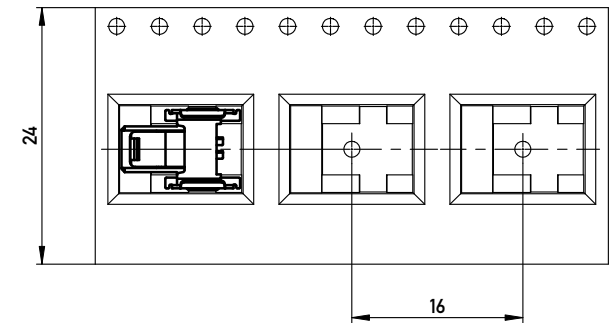


Leiterplatten-Layout Vorschlag für SMT
PCB-Layout Proposal for SMT

Verpackt in Gurtverpackung - *Tape on Reel Packaging*
Verpackungseinheit: 850 Stück - *Packaging unit: 850 pcs*



Abspulrichtung - *Reel off Direction*



Anforderungsstufe 1
Performance Level 1

Kontaktbereich vergoldet
Mating Area gold plating

Anschlussbereich verzinkt 4-6 μm
Terminal Area 4-6 μm tin plating

Koplanarität der Anschlüsse $\leq 0,1 \text{ mm}$
Coplanarity Area of Termination $\leq 0,1 \text{ mm}$

Information:
ohne Hilfsmittel lösbar, Bauteilfarbe: schwarz
without tool unlockable, component color: black

Tolerances



All Dimensions
in mm

Scale 5:1

All rights reserved.
Only for Information.
To ensure that this is the latest
version of this drawing, please
contact one of the ERNI companies
before using.

Subject to modification without
prior notice.
Drawing will not be updated.

Designation

1,27 SRC P, 2-polig
1,27 SRC P, 2-pin



www.ERNI.com

384845

1
A3

Index Date

Class SRCP