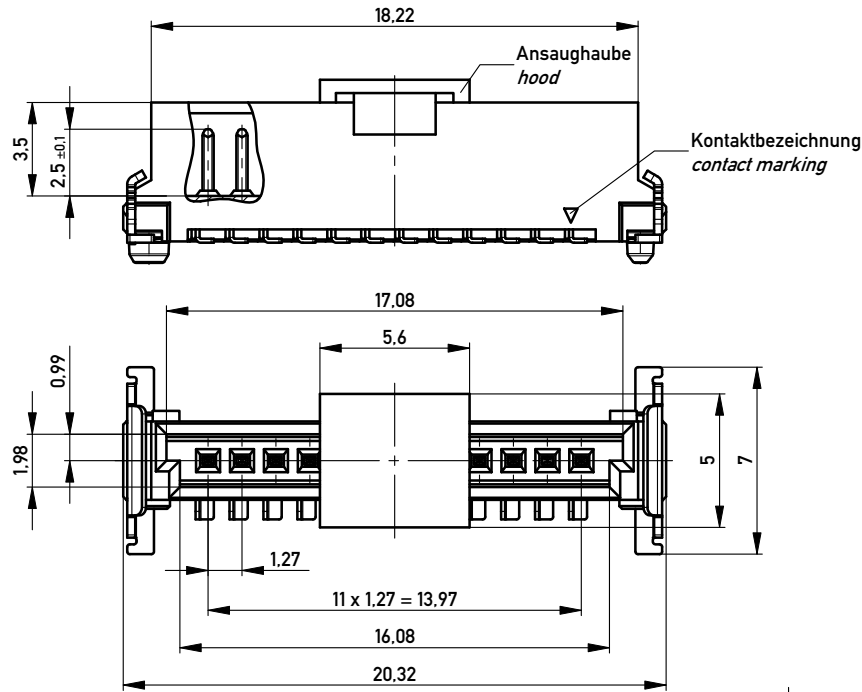


Anforderungsstufe 1  
Performance Level 1

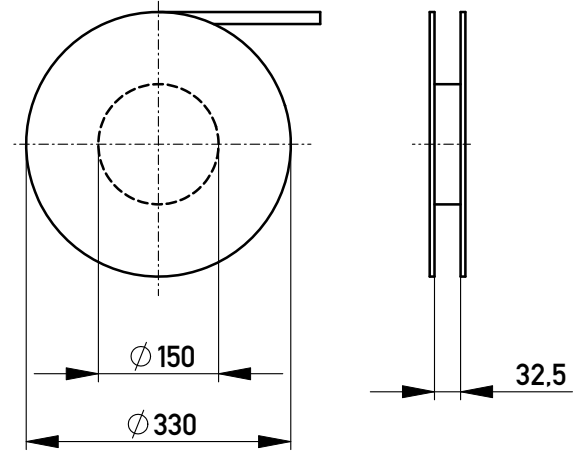
Kontaktbereich vergoldet  
Mating Area gold plating

Anschlussbereich verzinkt 4-6 µm  
Terminal Area 4-6 µm tin plating

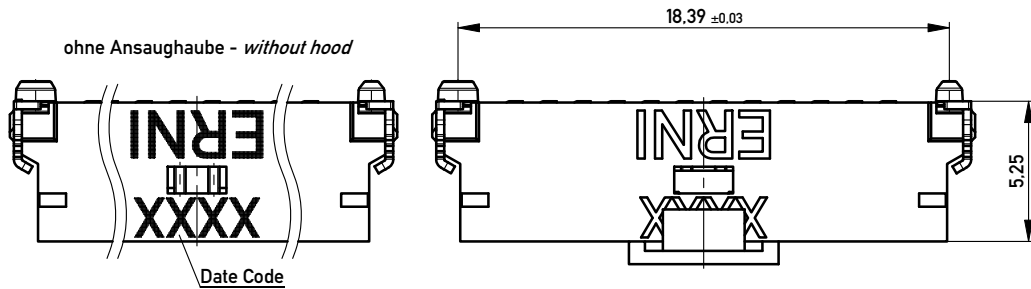
Koplanarität der Anschlüsse ≤ 0,1 mm  
Coplanarity Area of Termination ≤ 0,1 mm



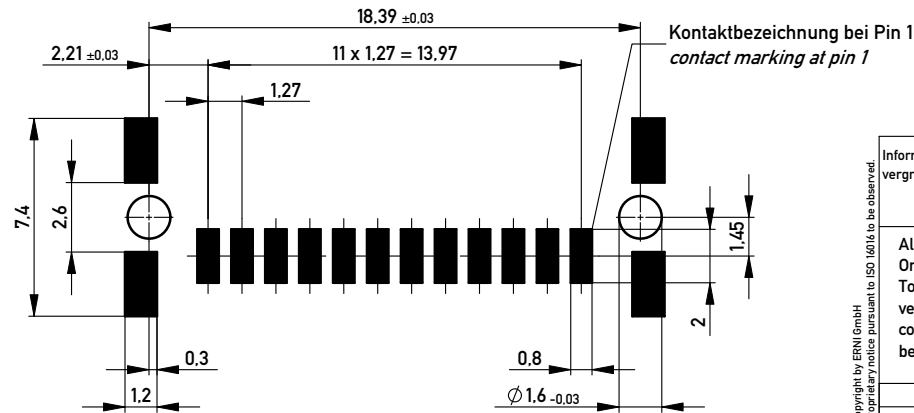
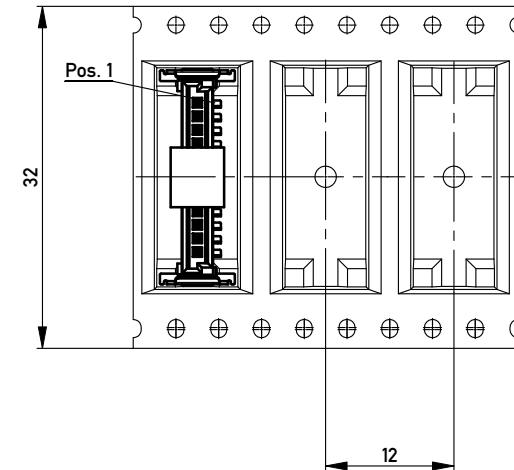
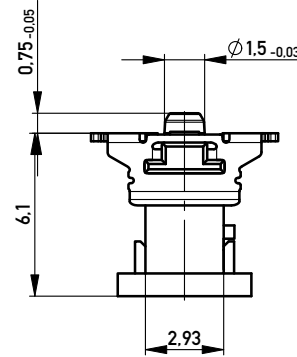
Verpackt in Gurtverpackung - Tape on Reel Packaging  
Verpackungseinheit: 650 Stück - Packaging unit: 650 pcs



Abspulrichtung - Reel off Direction →



Leiterplatten-Layout für SMT  
PCB-Layout for SMT



Information: vergrößerte Löt pads - enlarged solder pads	Tolerances	 All Dimensions in mm	Scale	5:1
	Designation <b>1.27 SRC P, 12-polig</b> <b>1,27 SRC P, 12-pin</b>			
All rights reserved. Only for Information. To ensure that this is the latest version of this drawing, please contact one of the ERNI companies before using.	Subject to modification without prior notice. Drawing will not be updated.		<b>294920</b>	
	www.ERNI.com	Class SRCP		
B Index	07.04.2009 Date	I A3		

Copyright by ERNI GmbH  
 Proprietary notice pursuant to ISO 16106 to be observed.