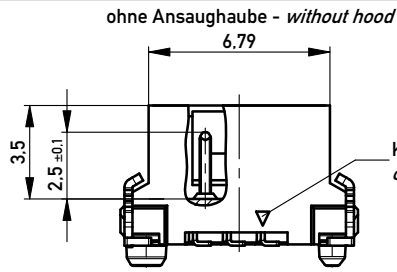
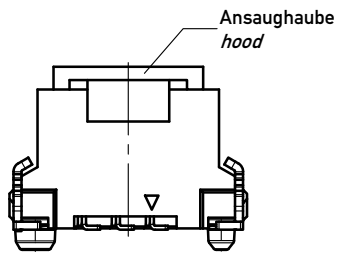


Anforderungsstufe 1
Performance Level 1

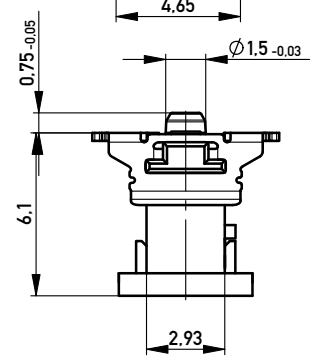
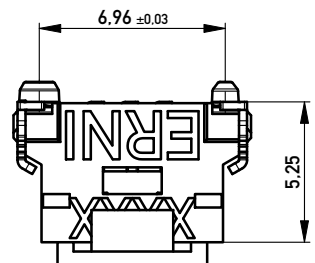
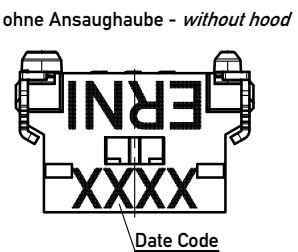
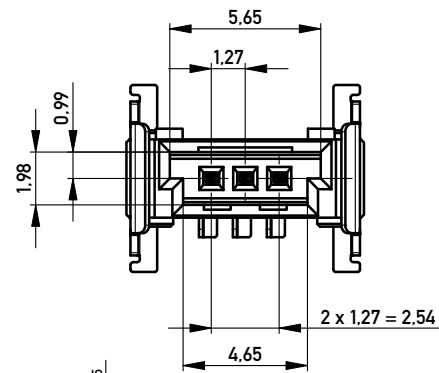
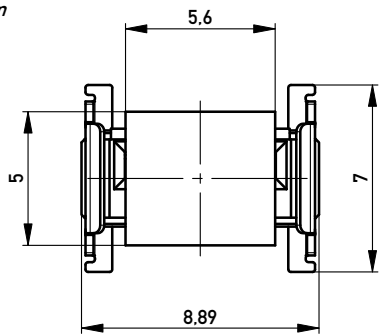
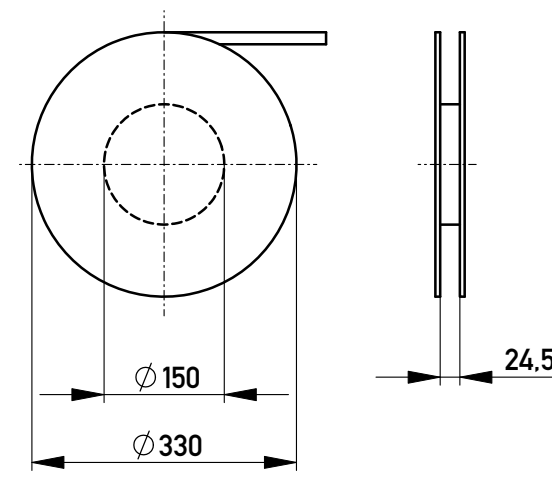
Kontaktbereich vergoldet
Mating Area gold plating

Anschlussbereich verzinkt 4-6 µm
Terminal Area 4-6 µm tin plating

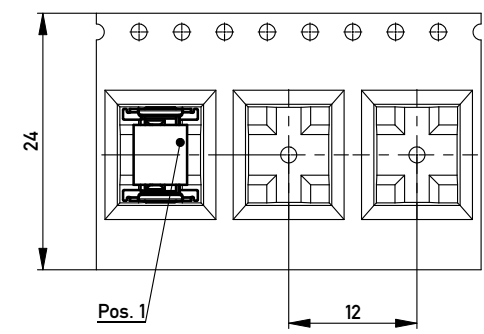
Koplanarität der Anschlüsse ≤ 0,1 mm
Coplanarity Area of Termination ≤ 0.1 mm



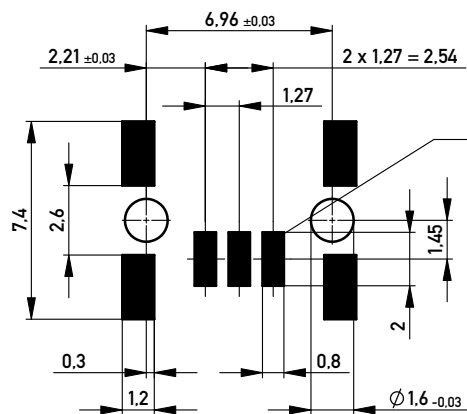
Verpackt in Gurtverpackung - Tape on Reel Packaging
Verpackungseinheit: 650 Stück - Packaging unit: 650 pcs



Abspulrichtung - Reel off Direction



Leiterplatten-Layout für SMT
PCB-Layout for SMT



Kontaktbezeichnung bei Pin 1
contact marking at pin 1

Copyright by ERNI GmbH
Proprietary notice pursuant to ISO 16949 to be observed.

Information: vergrößerte Löt pads - enlarged solder pads		Tolerances		Scale 5:1
All rights reserved. Only for Information. To ensure that this is the latest version of this drawing, please contact one of the ERNI companies before using.		Subject to modification without prior notice. Drawing will not be updated.		Designation 1,27 SRC P, 3-polig 1,27 SRC P, 3-pin
		www.ERNI.com		284696
C	13.01.2009			I
Index	Date			A3
Class				SRCP