

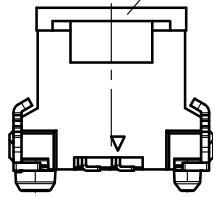
Anforderungsstufe 1  
Performance Level 1

Kontaktbereich vergoldet  
Mating Area gold plating

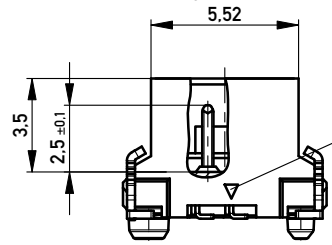
Anschlussbereich verzinkt 4-6 µm  
Terminal Area 4-6 µm tin plating

Koplanarität der Anschlüsse ≤ 0,1 mm  
Coplanarity Area of Termination ≤ 0,1 mm

Ansaughaube  
hood

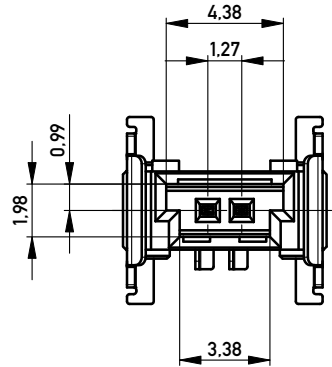
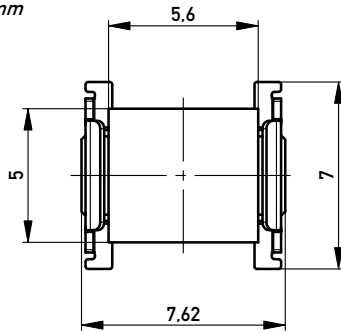
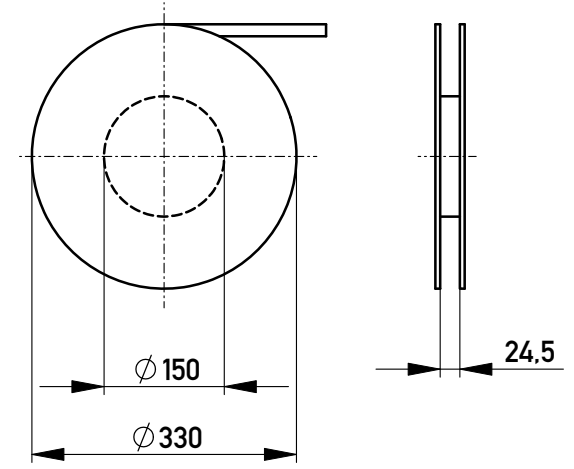


ohne Ansaughaube - without hood

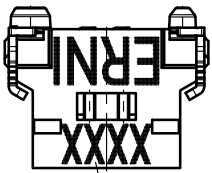


Kontaktbezeichnung  
contact marking

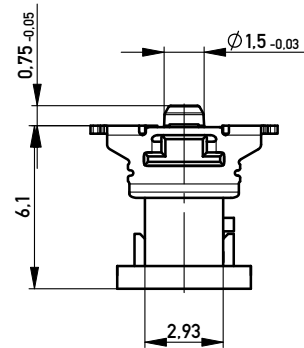
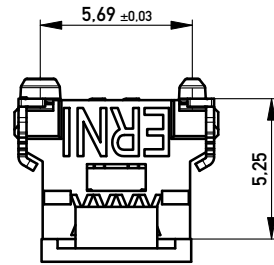
Verpackt in Gurtverpackung - Tape on Reel Packaging  
Verpackungseinheit: 650 Stück - Packaging unit: 650 pcs



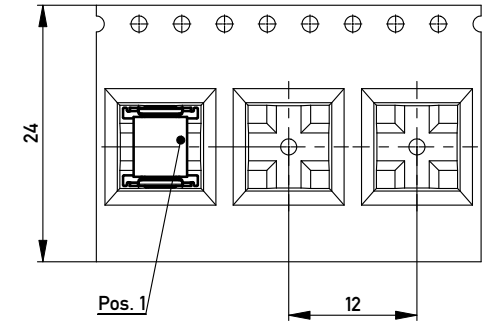
ohne Ansaughaube - without hood



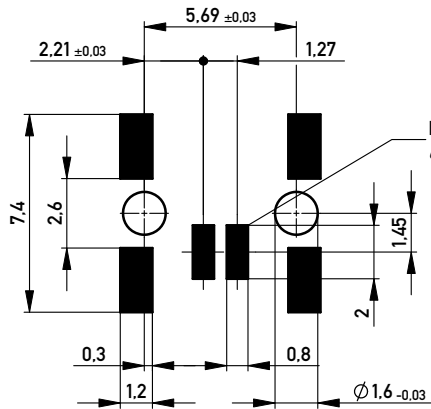
Date Code



Abspulrichtung - Reel off Direction



Leiterplatten-Layout für SMT  
PCB-Layout for SMT



Kontaktbezeichnung bei Pin 1  
contact marking at pin 1

Copyright by ERNI GmbH  
Proprietary notice pursuant to ISO 16106 to be observed.

Information: vergrößerte Löt pads - enlarged solder pads		Tolerances All Dimensions in mm	Scale 5:1
All rights reserved. Only for Information. To ensure that this is the latest version of this drawing, please contact one of the ERNI companies before using.		Subject to modification without prior notice. Drawing will not be updated.	Designation <b>1,27 SRC P, 2-polig</b> <b>1,27 SRC P, 2-pin</b>
www.ERNI.com		<b>284695</b>	
C	13.01.2009		
Index	Date	Class SRCP	
		I A3	