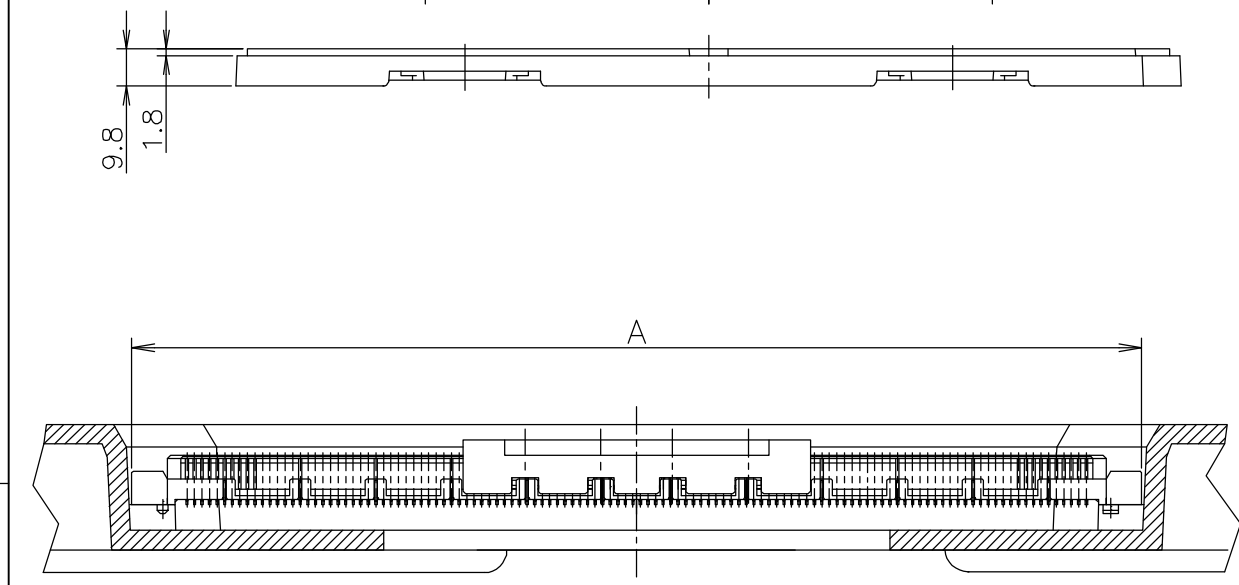
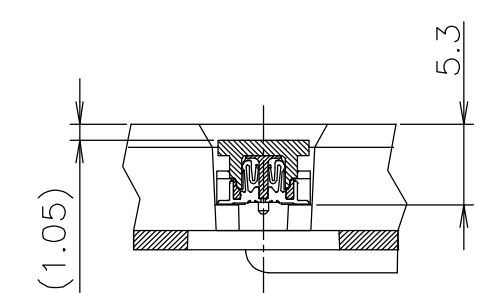
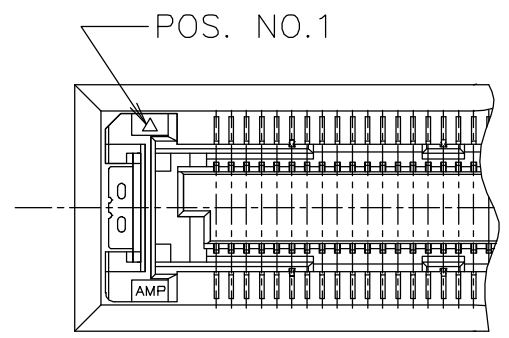
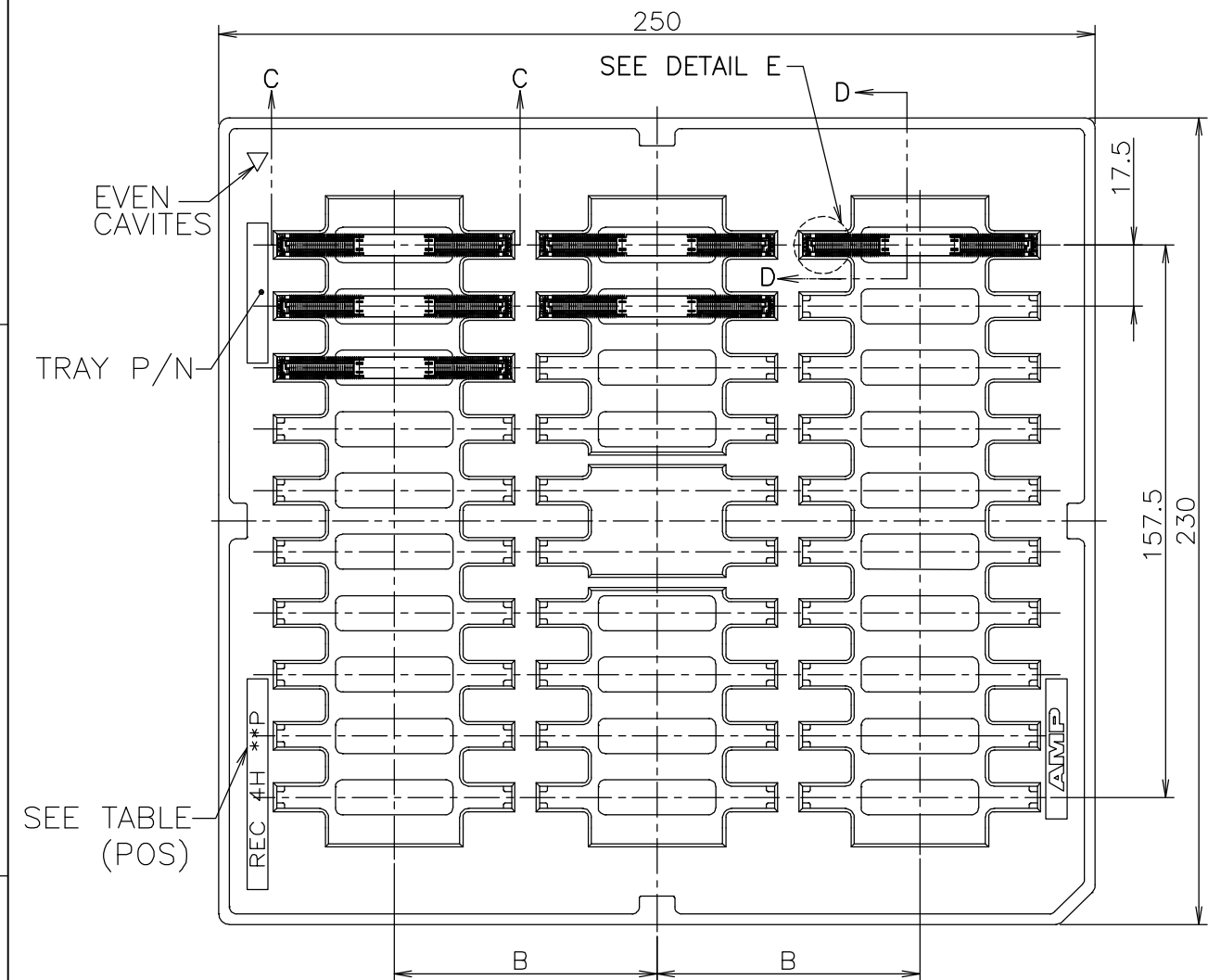


THIS DRAWING IS UNPUBLISHED. RELEASED FOR PUBLICATION MAR, 1999.
 © COPYRIGHT 1999 BY TYCO ELECTRONICS CORPORATION. ALL RIGHTS RESERVED.

LOC	DIST	REVISIONS					
J	/	P	LTR	DESCRIPTION	DATE	DWN	APVD
			A	RELEASED	12OCT05	D.L	H.K



SIF COATING	TOOLING AVAIL	ROW	QTY	B	A	POS.	HSG COLOR	
							BLACK	NATURAL
N		3	30		66.8	240		
Y					61.8	220		6-5353606-6
N				75	56.8	200		
				70	51.8	180		
					49.3	170		
					46.8	160		
					44.3	150		
					41.8	140		
		3	30	70	36.8	120		
		5	50	43	31.8	100		
					29.3	90		
					26.8	80		
					24.3	70		
					21.8	60		
					19.3	50		
					16.8	40		
N		5	50	43	14.3	30		3-5353606-7
Y		3	30		66.8	240		
Y					61.8	220		1-5353606-6
N				75	56.8	200		
				70	51.8	180		
					49.3	170		
					46.8	160		
					44.3	150		
					41.8	140		
		3	30	70	36.8	120		
		5	50	43	31.8	100		
					29.3	90		
					26.8	80		
					24.3	70		
					21.8	60		
					19.3	50		
					16.8	40		
N		5	50	43	14.3	30		

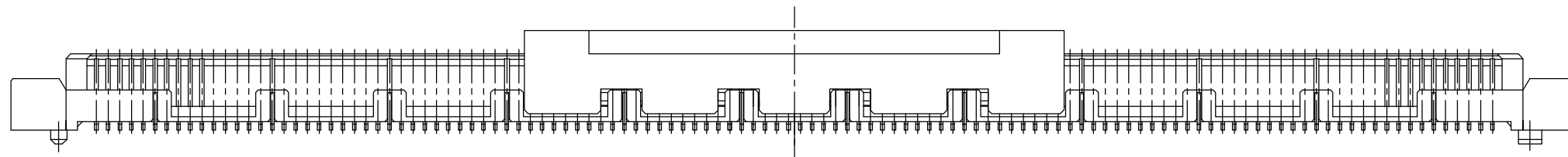
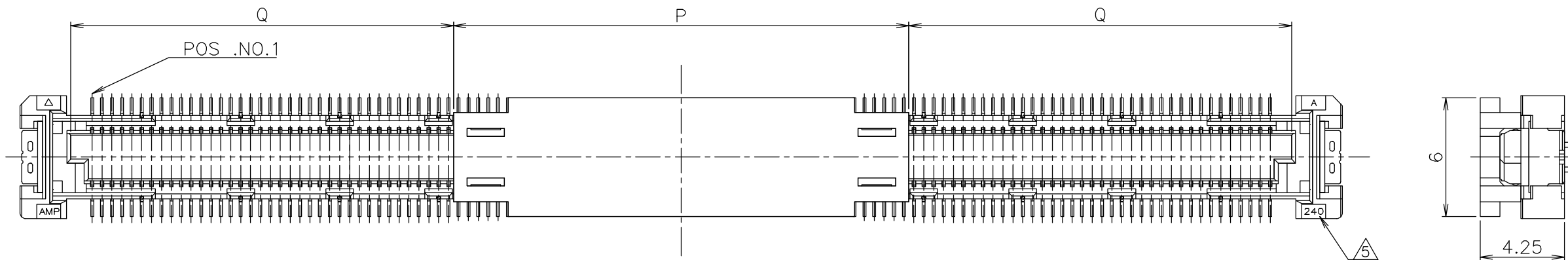
THIS DRAWING IS A CONTROLLED DOCUMENT.

DWN D.LIU	12OCT05	tyco Electronics	Tyco Electronics AMP K.K. Kawasaki, Japan	
CHK T.FUTATSUGI	12OCT05		NAME	
APVD W.KODAMA	12OCT05	PRODUCT SPEC		HARD TRAY ASSY FH 0.5BTB CONNECTOR REC 4H WITH G-CONT. AND CAP
APPLICATION SPEC		108-5560		
MATERIAL	FINISH	SIZE	CAGE CODE	DRAWING NO
		A3	00779	C-5353606
CUSTOMER DRAWING		WEIGHT	RESTRICTED TO	
		SCALE	SHEET	REV
		1:2	1 OF 5	A

THIS DRAWING IS UNPUBLISHED. RELEASED FOR PUBLICATION MAR , 1999.

© COPYRIGHT 1999 BY TYCO ELECTRONICS CORPORATION. ALL RIGHTS RESERVED.

LOC J	DIST /	REVISIONS		
P	LTR	DESCRIPTION	DATE	DWN
	-	SEE SHEET 1	-	-

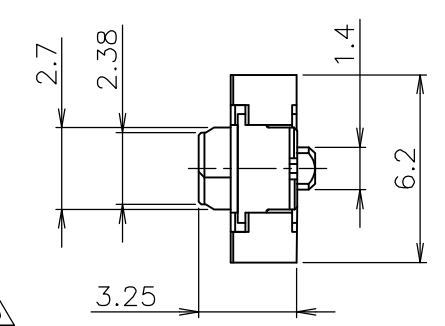
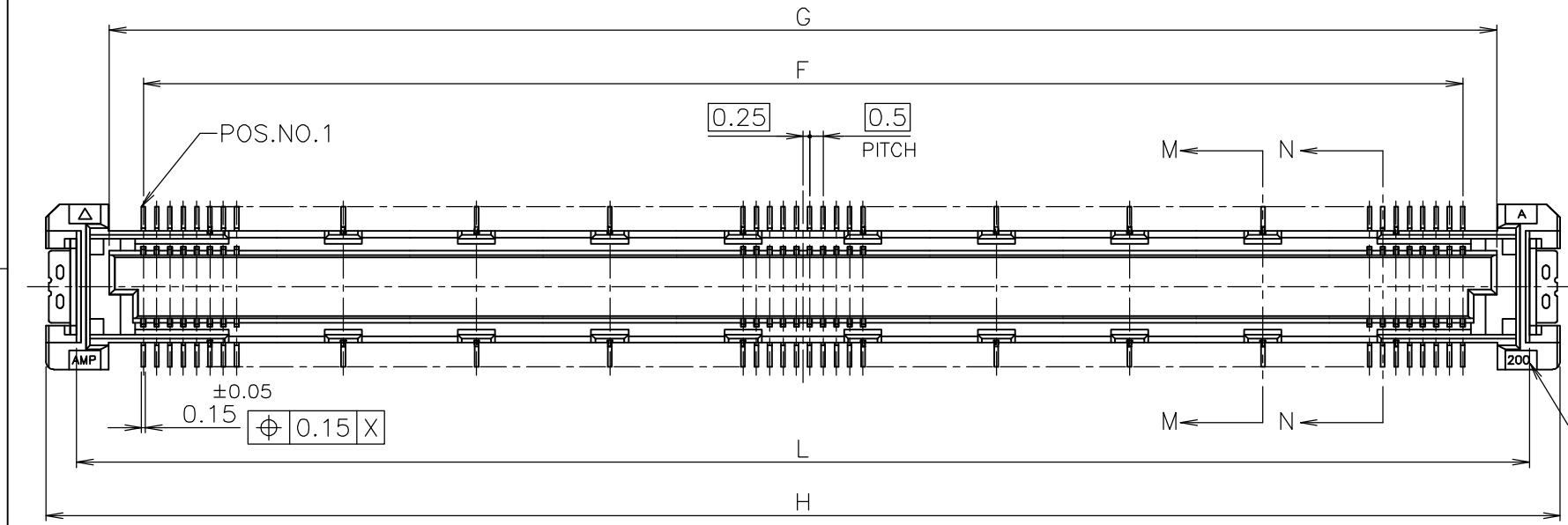


19.55	23	240
17.05	↑	220
14.55		200
12.05		180
10.8		170
9.55		160
8.3		150
7.05		140
4.55		120
2.05	↓	100
0.8	23	90
4.4	13.3	80
4.4	10.8	70
1.9	13.3	60
1.9	10.8	50
1.75	13.3	40
1.75	10.8	30
Q	P	POS.

THIS DRAWING IS A CONTROLLED DOCUMENT.		DWN	tyco Tyco Electronics AMP K.K.		
DIMENSIONS: MM		CHK	Kawasaki.Japan		
TOLERANCES UNLESS OTHERWISE SPECIFIED:		APVD	NAME		
0 PLC ± -		PRODUCT SPEC	HARD TRAY ASSY		
1 PLC ± -		APPLICATION SPEC	FH 0.5BTB CONNECTOR		
2 PLC ± -		WEIGHT	SIZE	CAGE CODE	DRAWING NO
3 PLC ± -		CUSTOMER DRAWING	A3	00779	C-5353606
4 PLC ± -			SCALE	SHEET	OF
ANGLES ± -		4:1		2	5
FINISH		RESTRICTED TO		A	

THIS DRAWING IS UNPUBLISHED. RELEASED FOR PUBLICATION MAR, 1999.
 © COPYRIGHT 1999 BY TYCO ELECTRONICS CORPORATION. ALL RIGHTS RESERVED.

LOC	DIST	REVISIONS			
P	LTR	DESCRIPTION	DATE	DWN	APVD
		SEE SHEET 1	-	-	-



NOTES

① MATERIAL ; HOUSING : HIGH TEMP THERMO PLASTIC UL94V-0
 CONTACT : COPPER ALLOY

② FINISH ; SIGNAL CONTACT : UNDER PL Ni
 0.0013mm MIN ALL OVER.
 CONTACT AREA
 0.0002mm MIN Au PL.
 SOLDERING AREA
 0.00005mm MIN Au PL.

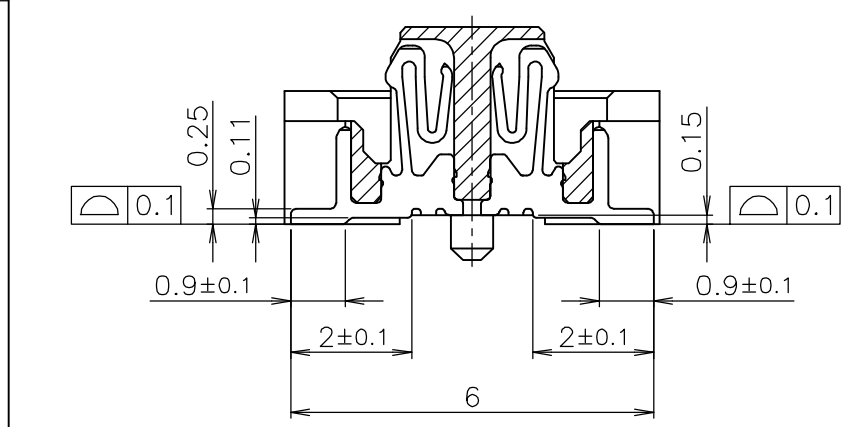
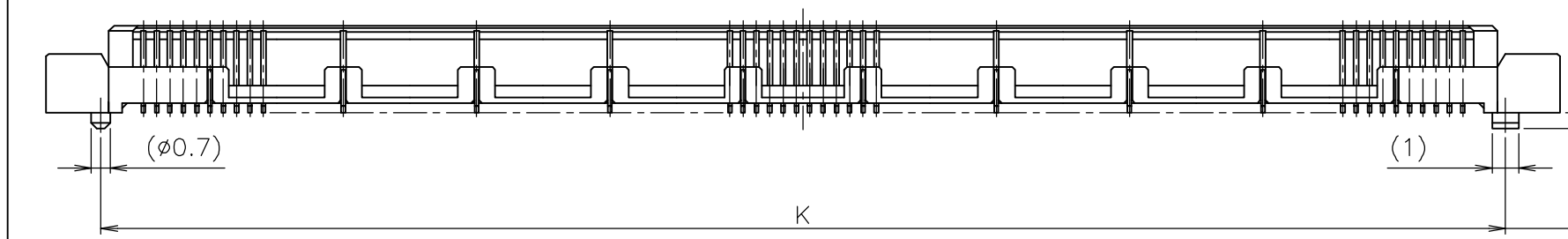
GROUND CONTACT : UNDER PL Ni
 0.0013mm MIN ALL OVER.
 CONTACT AREA
 0.0002mm MIN Au PL.
 SOLDERING AREA
 0.001mm MIN TIN PL.

SOLDER PEG : 0.001mm MIN
 TIN PL. OVER
 0.0013mm MIN
 Ni PL ALL OVER.

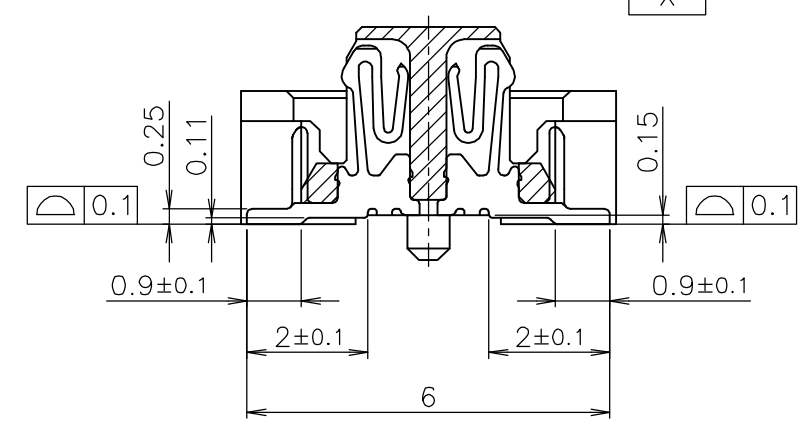
③ THIS POSITION IS GROUND CIRCUIT.

④ THIS PRODUCT WAS COATED BY ANTI-FLUX-PENETRATION AGENT.

⑤ NO. OF CIRCUIT (DEPEND ON CONNECTOR POS).



SECT. M-M
(GRAND POSITION)
(SCALE 8:1)



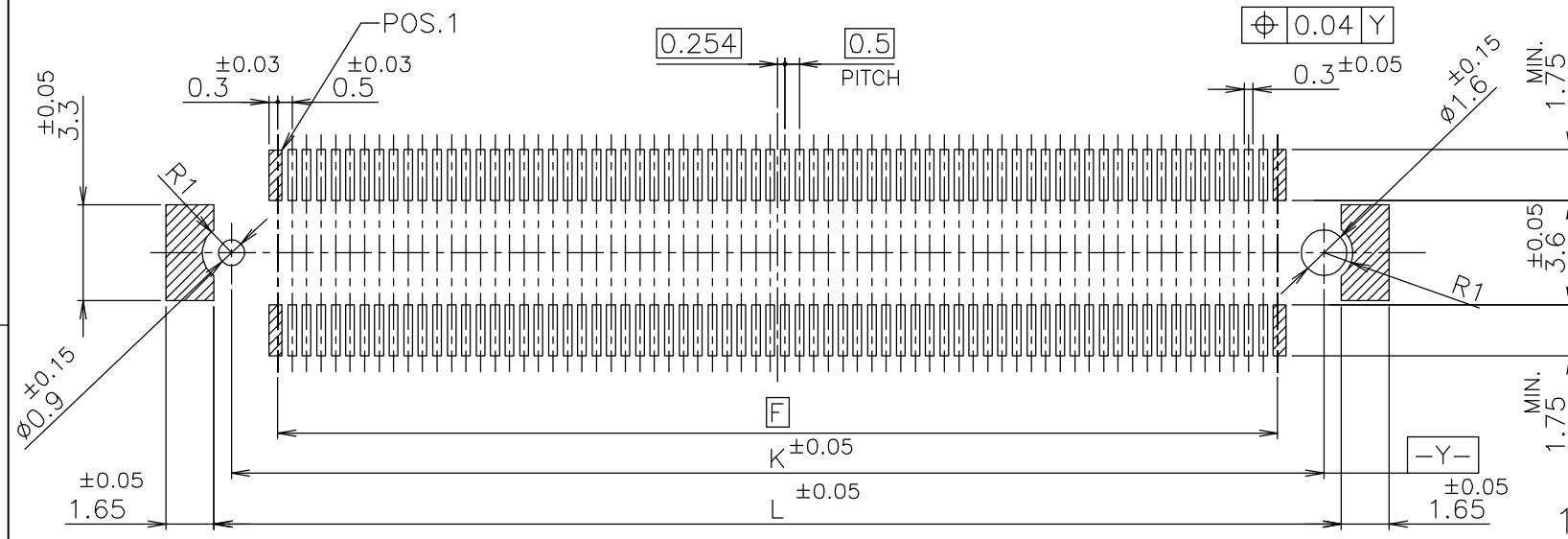
SECT. N-N
(SIGNAL POSITION)
(SCALE 8:1)

64.5	62.7	66.8	62.1	59.5	240
59.5	57.7	61.8	57.1	54.5	220
54.5	52.7	56.8	52.1	49.5	200
49.5	47.7	51.8	47.1	44.5	180
47	45.2	49.3	44.6	42	170
44.5	42.7	46.8	42.1	39.5	160
42	40.2	44.3	39.6	37	150
39.5	37.7	41.8	37.1	34.5	140
34.5	32.7	36.8	32.1	29.5	120
29.5	27.7	31.8	27.1	24.5	100
27	25.2	29.3	24.6	22	90
24.5	22.7	26.8	22.1	19.5	80
22	20.2	24.3	19.6	17	70
19.5	17.7	21.8	17.1	14.5	60
17	15.2	19.3	14.6	12	50
14.5	12.7	16.8	12.1	9.5	40
12	10.2	14.3	9.6	7	30
L	K	H	G	F	POS.

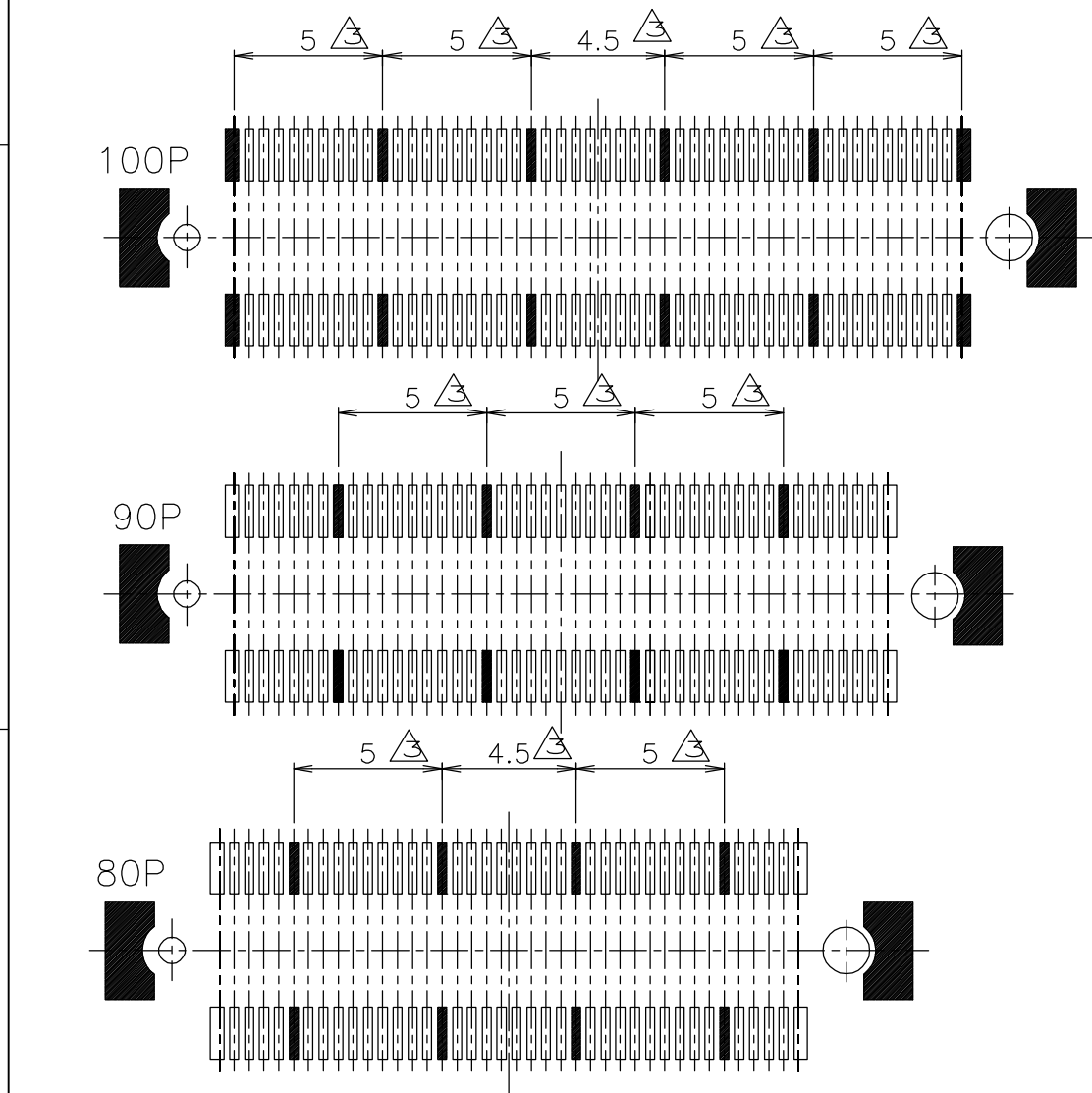
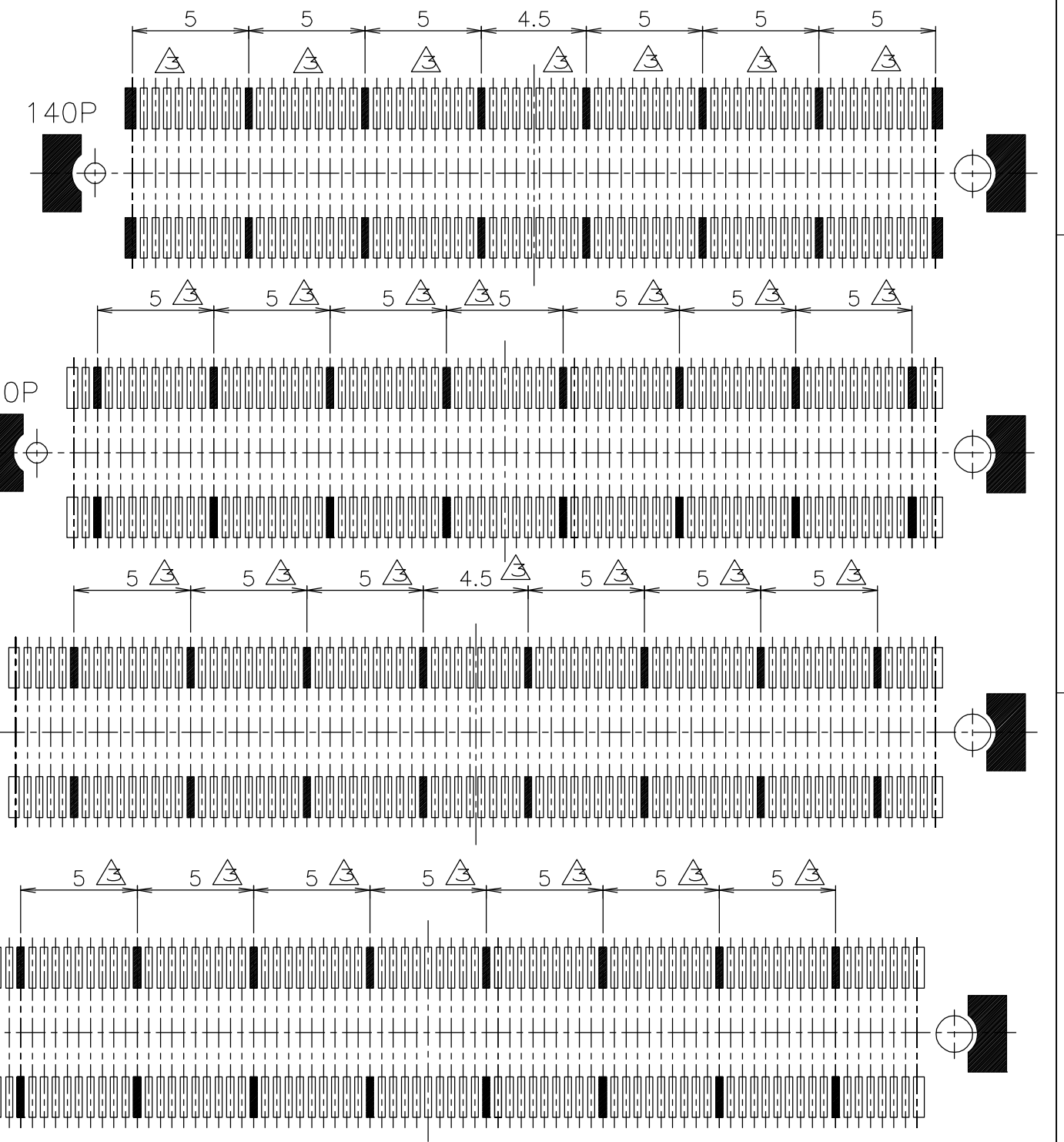
THIS DRAWING IS A CONTROLLED DOCUMENT.		DWN	Tyco Electronics AMP K.K. Kawasaki, Japan		
DIMENSIONS: MM		CHK			
TOLERANCES UNLESS OTHERWISE SPECIFIED:		APVD	NAME		
0 PLC ± -		PRODUCT SPEC	HARD TRAY ASSY		
1 PLC ± -		APPLICATION SPEC	FH 0.5BTB CONNECTOR		
2 PLC ± -		WEIGHT	REC 4H WITH G-CONT. AND CAP		
3 PLC ± -		SIZE	CAGE CODE	DRAWING NO	RESTRICTED TO
4 PLC ± -		A3	00779	C-5353606	
ANGLES ± -		CUSTOMER DRAWING			
FINISH		SCALE	SHEET	OF	REV
		4:1	3	5	A

THIS DRAWING IS UNPUBLISHED. RELEASED FOR PUBLICATION MAR , 1999.
 © COPYRIGHT 1999 BY TYCO ELECTRONICS CORPORATION. ALL RIGHTS RESERVED.

LOC	DIST	REVISIONS			DATE	DWN	APVD
J	/	P	LTR	DESCRIPTION	-	-	-
		-	-	SEE SHEET 1	-	-	-



RECOMMENDED P.C.BOARD LAYOUT



THIS DRAWING IS A CONTROLLED DOCUMENT.		DWN		Tyco Electronics AMP K.K. Kawasaki, Japan			
DIMENSIONS: MM		CHK					
TOLERANCES UNLESS OTHERWISE SPECIFIED: 0 PLC ± - 1 PLC ± - 2 PLC ± - 3 PLC ± - 4 PLC ± - ANGLES ± - FINISH ± -		APVD		NAME			
		PRODUCT SPEC		HARD TRAY ASSY FH 0.5BTB CONNECTOR REC 4H WITH G-CONT. AND CAP			
MATERIAL		APPLICATION SPEC		SIZE	CAGE CODE	DRAWING NO	RESTRICTED TO
		WEIGHT		A3	00779	C-5353606	
CUSTOMER DRAWING				SCALE	SHEET	OF	REV
				4:1	4	5	A

4

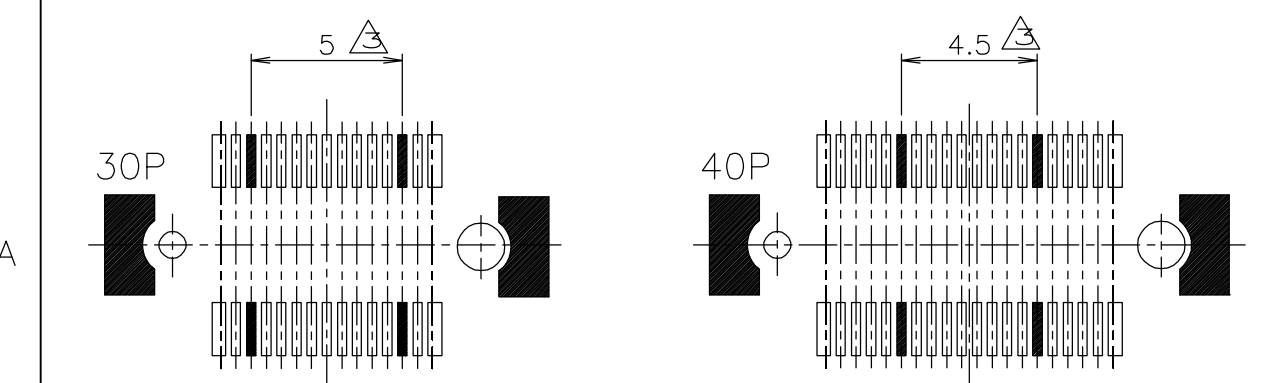
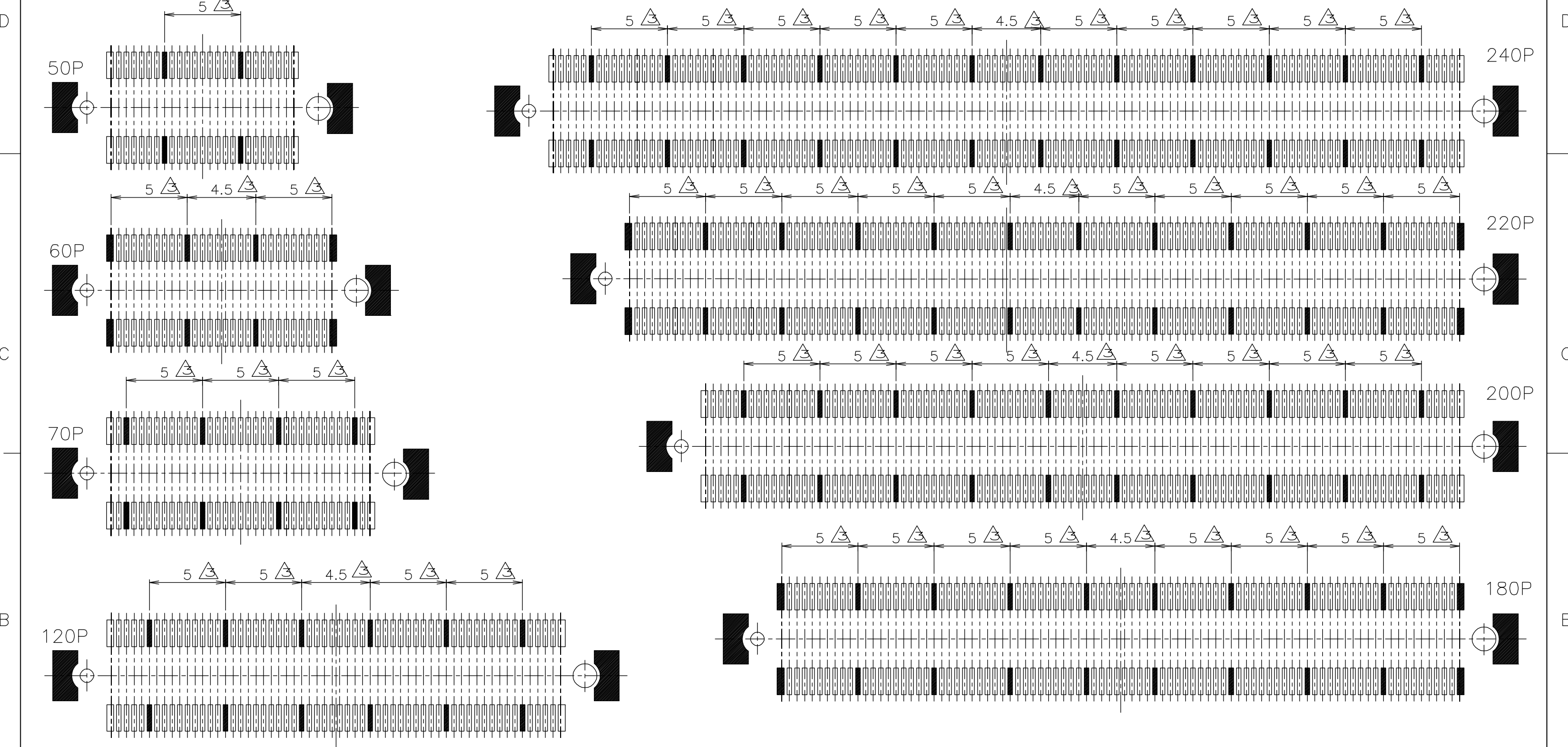
3

2

1

THIS DRAWING IS UNPUBLISHED. RELEASED FOR PUBLICATION MAR , 1999.
 © COPYRIGHT 1999 BY TYCO ELECTRONICS CORPORATION. ALL RIGHTS RESERVED.

LOC		DIST		REVISIONS			DATE	DWN	APVD
J				P	LTR	DESCRIPTION			
						SEE SHEET 1	-	-	-



THIS DRAWING IS A CONTROLLED DOCUMENT.		DWN		 Tyco Electronics AMP K.K. Kawasaki, Japan	
DIMENSIONS: MM		CHK			
 TOLERANCES UNLESS OTHERWISE SPECIFIED: 0 PLC ± - 1 PLC ± - 2 PLC ± - 3 PLC ± - 4 PLC ± - ANGLES ± - FINISH		APVD			
		NAME			
MATERIAL		PRODUCT SPEC		HARD TRAY ASSY FH 0.5BTB CONNECTOR REC 4H WITH G-CONT. AND CAP	
		APPLICATION SPEC		SIZE	RESTRICTED TO
		WEIGHT		A3	
		CUSTOMER DRAWING		CAGE CODE	
				DRAWING NO	
				G-5353606	
				SCALE	
				4:1	
				SHEET	
				5 OF 5	
				REV	
				A	