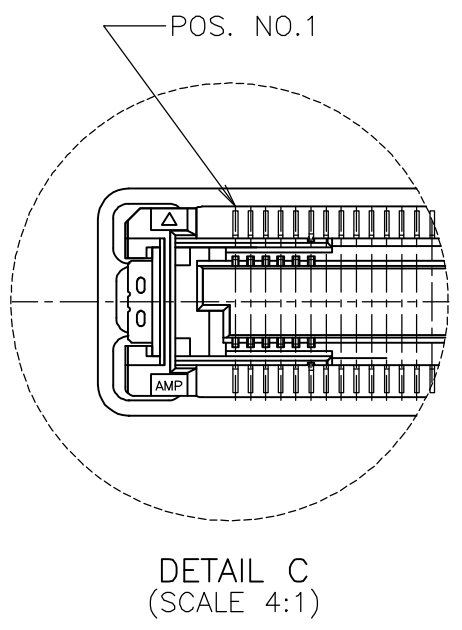
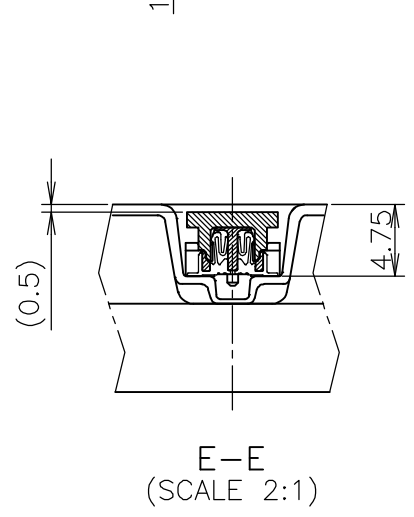
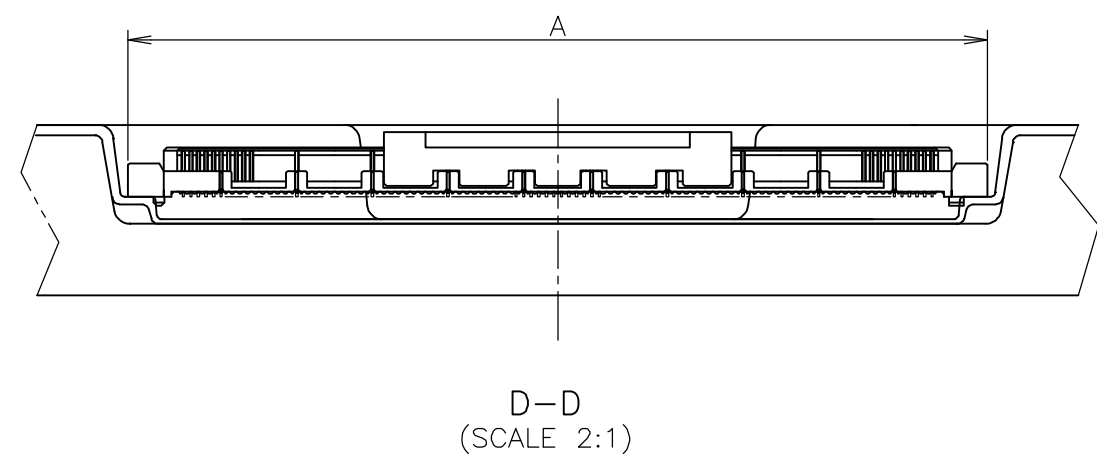
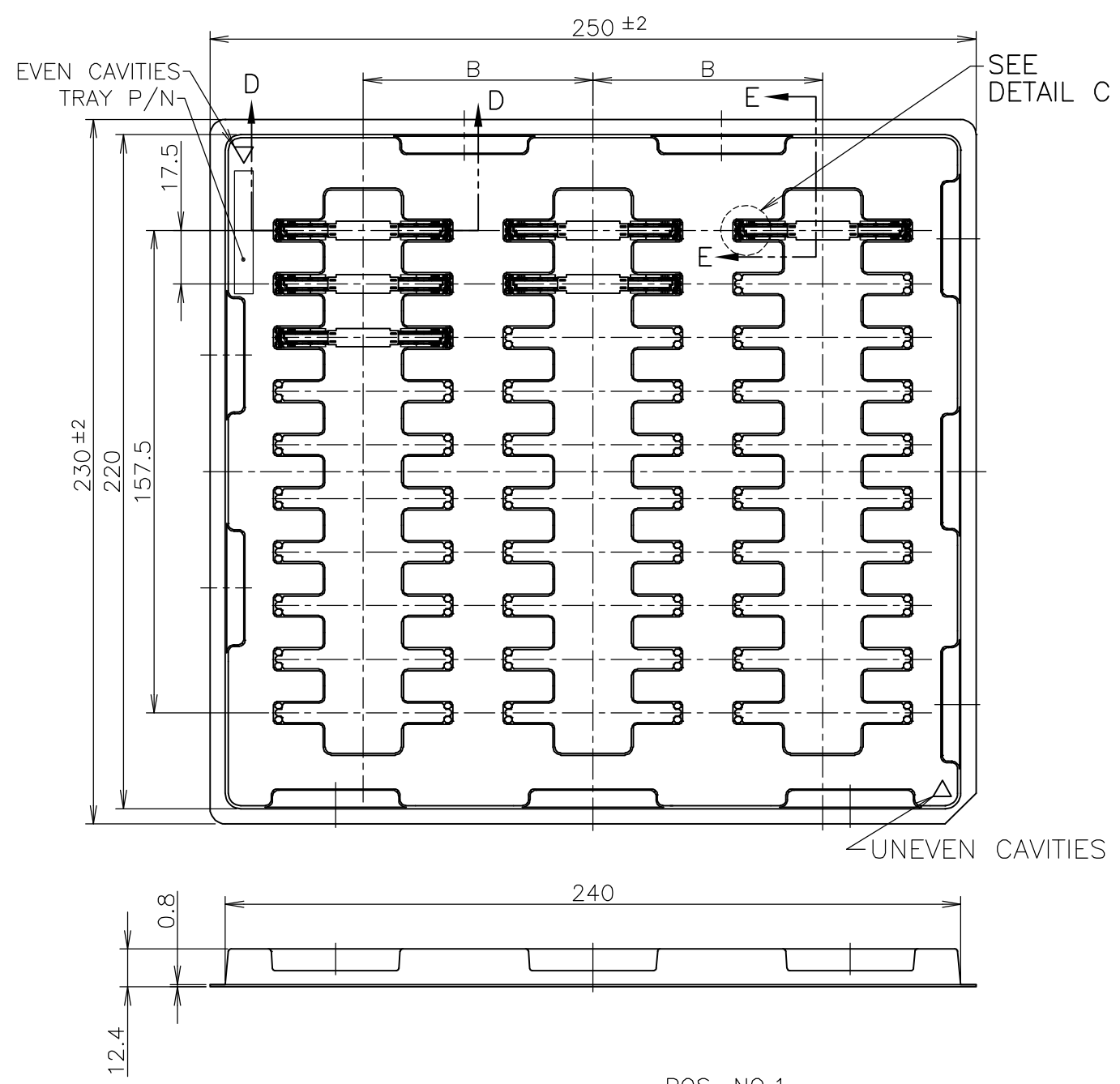


THIS DRAWING IS UNPUBLISHED. RELEASED FOR PUBLICATION OCT, 2005.
 © COPYRIGHT 2005 BY TYCO ELECTRONICS CORPORATION. ALL RIGHTS RESERVED.

LOC	DIST	REVISIONS 変更			DATE	DWN	APVD
J	/	P	LTR	DESCRIPTION			
			A1	REVISED	07MAR07	Y.H	Y.Y



NON SIF	BLACK	Y	3	30	75	56.8	200	4-6565778-5
		N	↑	↑	↑	66.8	240	
		N			↓	61.8	220	
	NATURAL	Y			75	56.8	200	3-6565778-5
		N			70	51.8	180	
		↑			↑	49.3	170	
						46.8	160	
						44.3	150	
						41.8	140	
			3	30	70	36.8	120	
			5	50	43	31.8	100	
			↑	↑	↑	29.3	90	
						26.8	80	
						24.3	70	
						21.8	60	
						19.3	50	
	N	5	50	43	16.8	40		
					14.3	30		
	CAP COLOR	TOOLING AVAIL	ROW	QTY	B	A	POS.	PART NO.

THIS DRAWING IS A CONTROLLED DOCUMENT.

DIMENSIONS: 単位: 耗 mm	TOLERANCES UNLESS OTHERWISE SPECIFIED: 一般公差	DWN D.LIU 13OCT2005	Tyco Electronics AMP K.K. Kawasaki, Japan	
	0 PLC ± 0.3 1 PLC ± 0.3 2 PLC ± 0.3 3 PLC ± 0.3 4 PLC ± 0.3 ANGLES ± 3'	CHK T.FUTATSUGI 13OCT2005	NAME W.KODAMA PRODUCT SPEC 製品規格 108-5560 APPLICATION SPEC 取付適用規格	
MATERIAL 材料	FINISH 仕上	APVD W.KODAMA 13OCT2005	SEMI HARD TRAY ASSY FH 0.5BTB CONNECTOR REC 4H WITH G-CONT. AND CAP	
		WEIGHT	SIZE A3	CAGE CODE 00779 DRAWING NO C-6565778 RESTRICTED TO 番号
CUSTOMER DRAWING		SCALE 尺度 1:2	SHEET 1 OF 5	REV A1

4

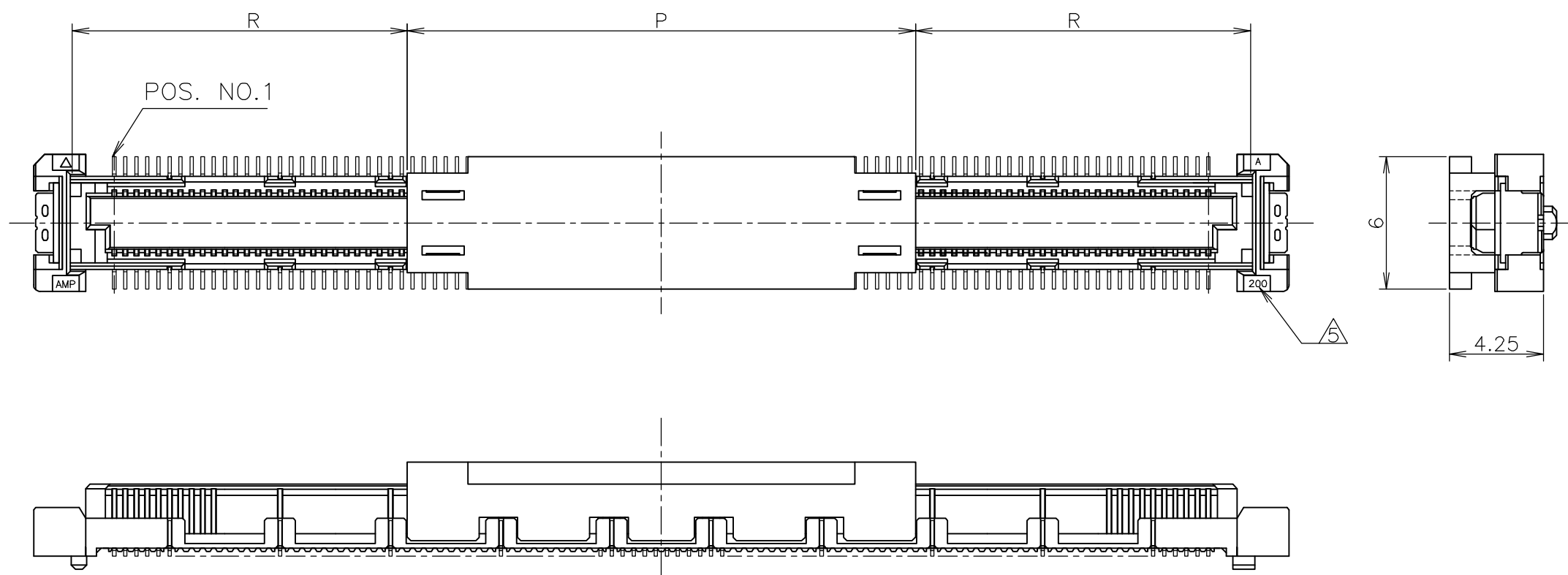
3

2

1

THIS DRAWING IS UNPUBLISHED. RELEASED FOR PUBLICATION OCT ,2005.
 © COPYRIGHT 2005 BY TYCO ELECTRONICS CORPORATION. ALL RIGHTS RESERVED.

LOC	DIST	REVISIONS		
J	/	P	LTR	DESCRIPTION
				DATE
				DWN
				APVD
		SEE SHEET 1		



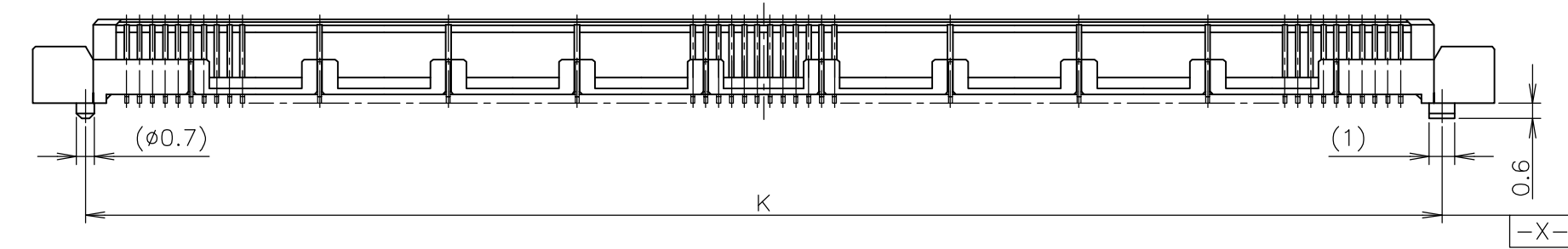
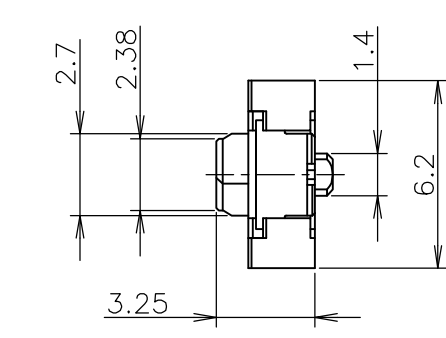
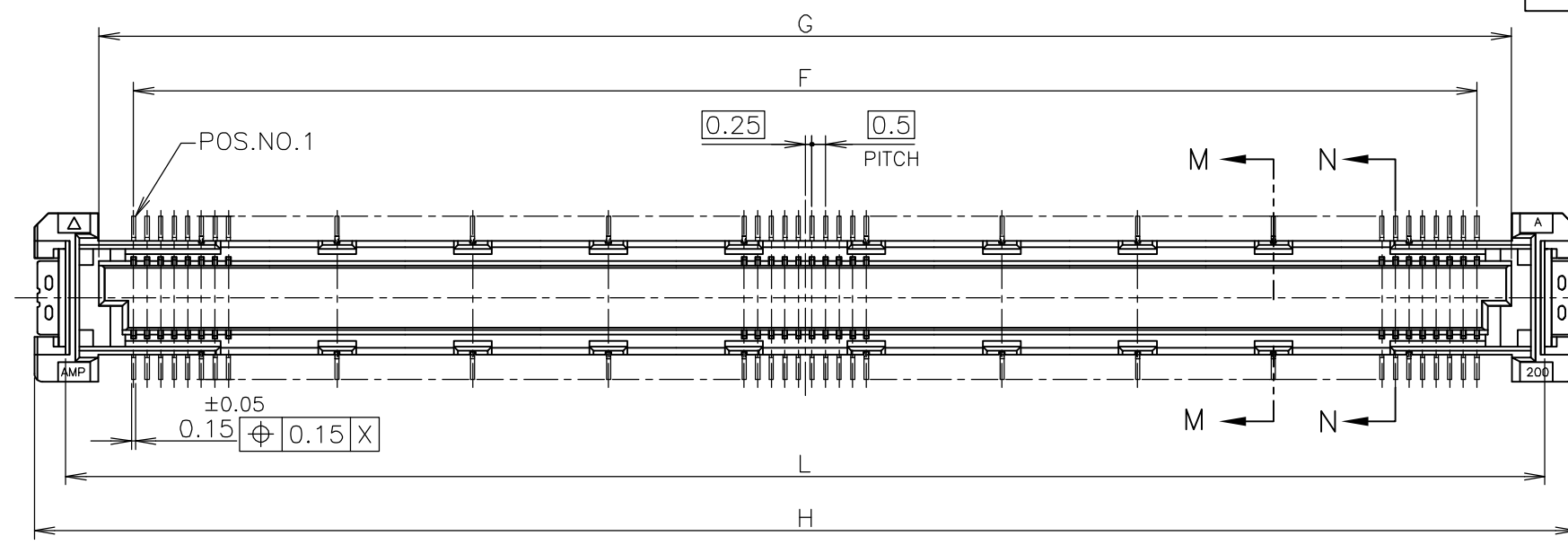
19.55	23	240
17.05	↑	220
14.55		200
12.05		180
10.8		170
9.55		160
8.3		150
7.05		140
4.55		120
2.05	↓	100
0.8	23	90
4.4	13.3	80
4.4	10.8	70
1.9	13.3	60
1.9	10.8	50
1.75	13.3	40
1.75	10.8	30
R	P	POS.

- ① MATERIAL;
HOUSING: HIGH TEMP THERMO PLASTIC UL94V-0
CONTACT: COPPER ALLOY
- ② FINISH;
SIGNAL CONTACT: UNDER PL Ni 0.0013mm MIN ALL OVER.
CONTACT AREA 0.0002mm MIN Au PL.
SOLDERING AREA 0.00005mm MIN Au PL.
GROUND CONTACT: UNDER PL Ni 0.0013mm MIN ALL OVER.
CONTACT AREA 0.0002mm MIN Au PL.
SOLDERING AREA 0.001mm MIN TIN PL.
SOLDER PEG: 0.001mm MIN TIN PL. OVER 0.0013mm MIN Ni PL ALL OVER.
- ③ THIS POSITION IS GROUND CIRCUIT.
- ④ THIS PRODUCT WAS COATED BY ANTI-FLUX-PENETRATION AGENT.
- ⑤ NO. OF CIRCUIT (DEPEND ON CONNECTOR POS).

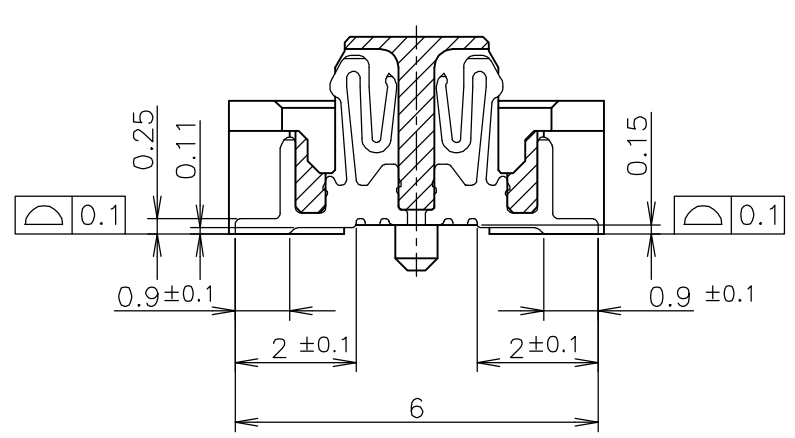
THIS DRAWING IS A CONTROLLED DOCUMENT.		DWN	Tyco Electronics AMP K.K. Kawasaki, Japan	
DIMENSIONS: 単位: 耗 mm		CHK		
TOLERANCES UNLESS OTHERWISE SPECIFIED: 一般公差		APVD	NAME 名称	
0 PLC ±		PRODUCT SPEC 製品規格	SEMI HARD TRAY ASSY	
1 PLC ±		APPLICATION SPEC 取付適用規格	FH 0.5BTB CONNECTOR	
2 PLC ±		WEIGHT	REC 4H WITH G-CONT. AND CAP	
3 PLC ±		CUSTOMER DRAWING	SIZE	RESTRICTED TO
4 PLC ±			A3	—
ANGLES ±		CAGE CODE	DRAWING NO	SCALE 尺度 4:1
FINISH 仕上		00779	G-6565778	SHEET 2 OF 5
				REV A1

THIS DRAWING IS UNPUBLISHED. RELEASED FOR PUBLICATION OCT. 2005.
 © COPYRIGHT 2005 BY TYCO ELECTRONICS CORPORATION. ALL RIGHTS RESERVED.

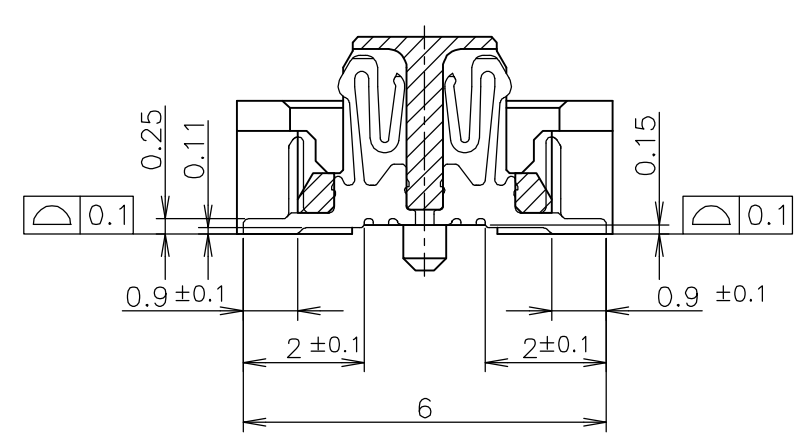
LOC	DIST	REVISIONS		
J	/	P	LTR	DESCRIPTION
		-		SEE SHEET 1
				DATE
				DWN
				APVD



64.5	62.7	66.8	62.1	59.5	240
59.5	57.7	61.8	57.1	54.5	220
54.5	52.7	56.8	52.1	49.5	200
49.5	47.7	51.8	47.1	44.5	180
47	45.2	49.3	44.6	42	170
44.5	42.7	46.8	42.1	39.5	160
42	40.2	44.3	39.6	37	150
39.5	37.7	41.8	37.1	34.5	140
34.5	32.7	36.8	32.1	29.5	120
29.5	27.7	31.8	27.1	24.5	100
27	25.2	29.3	24.6	22	90
24.5	22.7	26.8	22.1	19.5	80
22	20.2	24.3	19.6	17	70
19.5	17.7	21.8	17.1	14.5	60
17	15.2	19.3	14.6	12	50
14.5	12.7	16.8	12.1	9.5	40
12	10.2	14.3	9.6	7	30
L	K	H	G	F	POS.



M-M
(GRAND POSITION)
(SCALE 8:1)

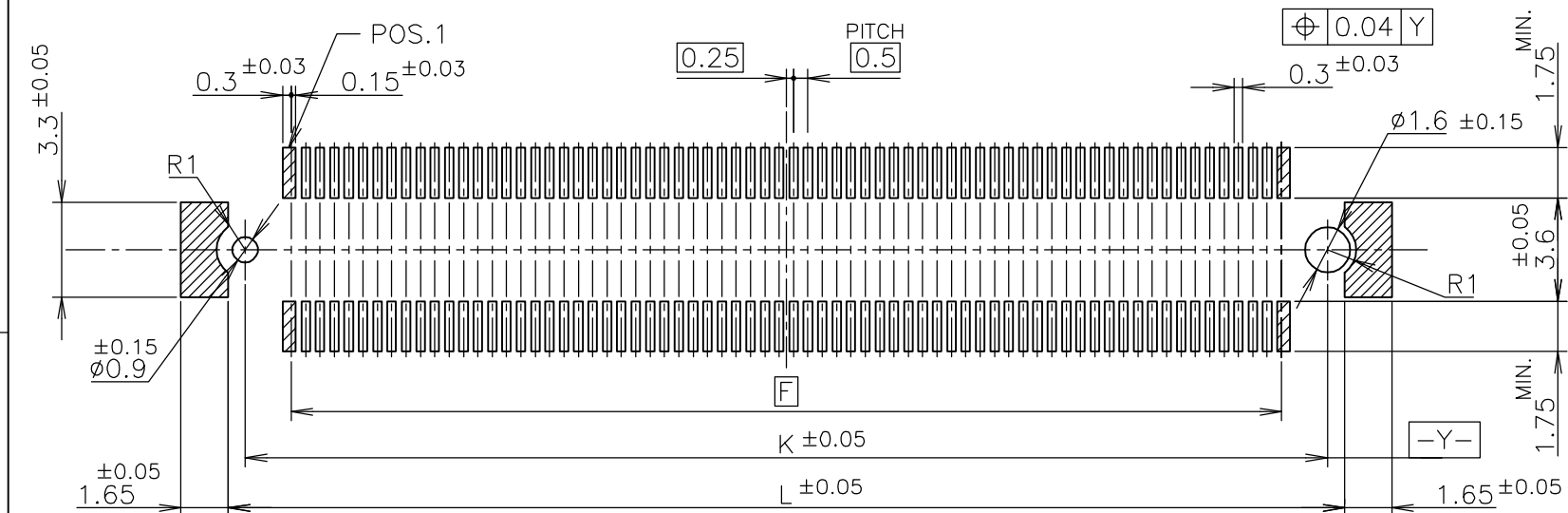


N-N
(G SIGNAL POSITION)
(SCALE 8:1)

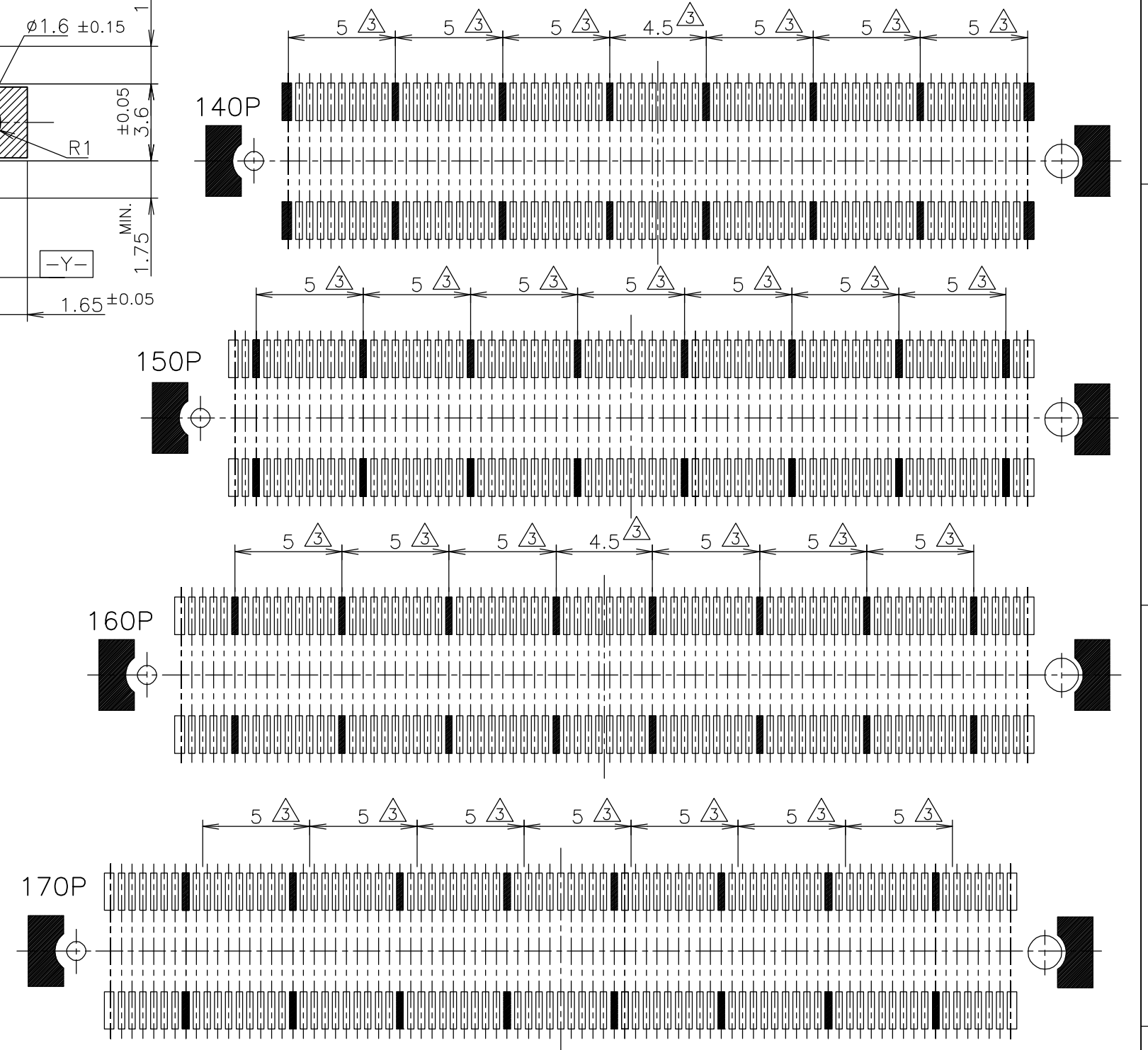
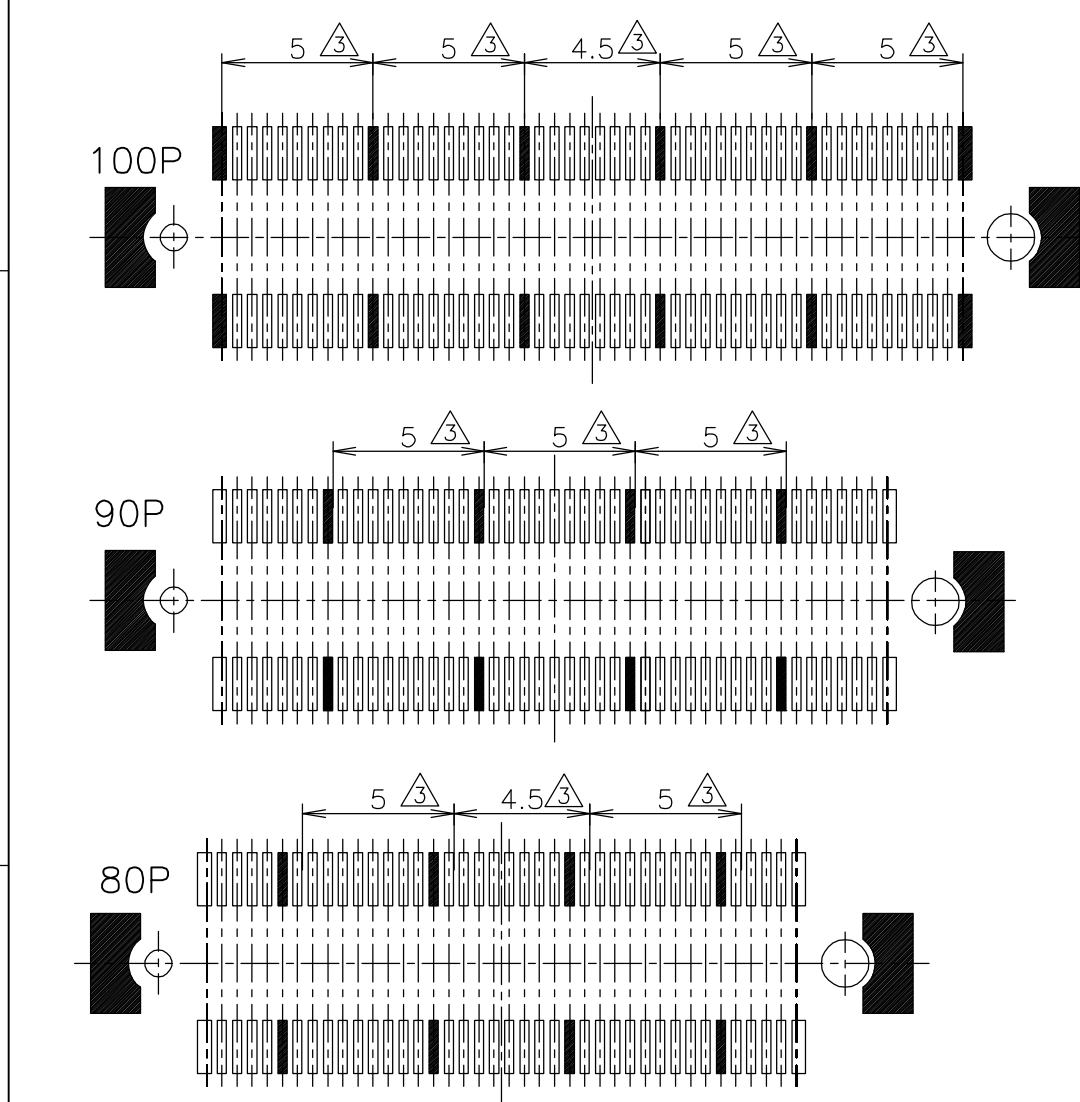
THIS DRAWING IS A CONTROLLED DOCUMENT.		DWN	Tyco Electronics AMP K.K. Kawasaki, Japan		
DIMENSIONS: 単位: 耗 mm		CHK			
TOLERANCES UNLESS OTHERWISE SPECIFIED: 一般公差		APVD	NAME 名称		
0 PLC ± 1 PLC ± 2 PLC ± 3 PLC ± 4 PLC ± ANGLES ±		PRODUCT SPEC 製品規格	SEMI HARD TRAY ASSY		
MATERIAL 材料		APPLICATION SPEC 取付適用規格	FH 0.5BTB CONNECTOR		
FINISH 仕上		WEIGHT	REC 4H WITH G-CONT. AND CAP		
		CUSTOMER DRAWING	SIZE A3	CAGE CODE 00779	DRAWING NO. 番号 G-6565778
			RESTRICTED TO	SCALE 尺度 4:1	SHEET 3 OF 5
				REV A1	

THIS DRAWING IS UNPUBLISHED. RELEASED FOR PUBLICATION OCT., 2005.
 © COPYRIGHT 2005 BY TYCO ELECTRONICS CORPORATION. ALL RIGHTS RESERVED.

LOC	DIST	REVISIONS			DATE	DWN	APVD
		P	LTR	DESCRIPTION			
J	/			SEE SHEET 1	-	-	-



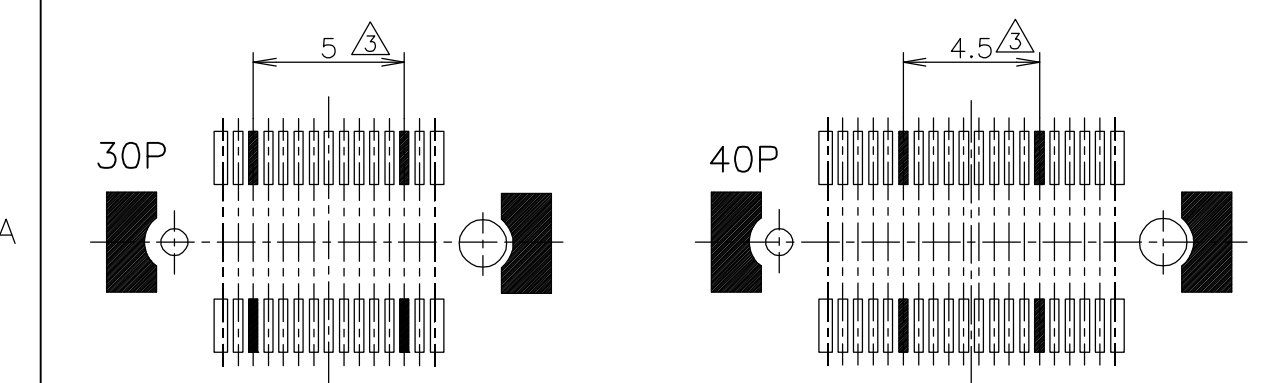
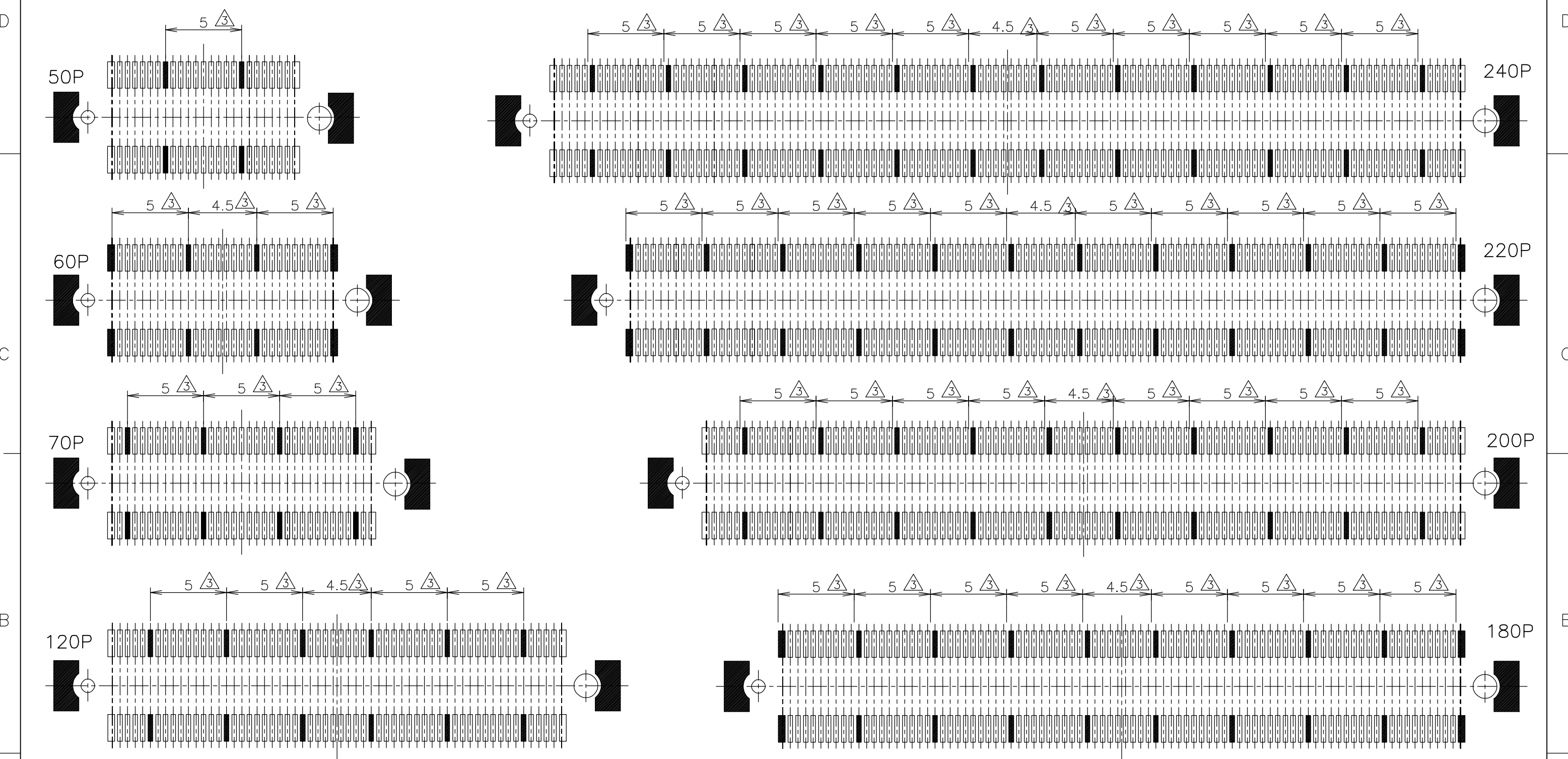
REFERENCE P.C. BOARD LAYOUT



THIS DRAWING IS A CONTROLLED DOCUMENT.		DWN	tyco Electronics		Tyco Electronics AMP K.K. Kawasaki, Japan	
DIMENSIONS: 単位: 耗 mm		CHK			NAME 名称	
TOLERANCES UNLESS OTHERWISE SPECIFIED: 一般公差		APVD	PRODUCT SPEC 製品規格		SIZE	CAGE CODE
0 PLC ±		PRODUCT SPEC	APPLICATION SPEC 取付適用規格		A3	00779
1 PLC ±		WEIGHT	FINISH 仕上		DRAWING NO 番号	
2 PLC ±		CUSTOMER DRAWING		G-6565778		RESTRICTED TO
3 PLC ±		SCALE 尺度 4:1		SHEET 4 OF 5		REV A1
4 PLC ±		SCALE		SHEET		REV
ANGLES ±		SCALE		SHEET		REV
MATERIAL 材料		SCALE		SHEET		REV

THIS DRAWING IS UNPUBLISHED. RELEASED FOR PUBLICATION OCT , 2005.
 © COPYRIGHT 2005 BY TYCO ELECTRONICS CORPORATION. ALL RIGHTS RESERVED.

LOC	DIST	REVISIONS			DATE	DWN	APVD
J	/	P	LTR	DESCRIPTION			
				SEE SHEET 1	-	-	-



THIS DRAWING IS A CONTROLLED DOCUMENT.		DWN	tyco Tyco Electronics AMP K.K.	
DIMENSIONS: 単位: 耗 mm		CHK	Kawasaki, Japan	
TOLERANCES UNLESS OTHERWISE SPECIFIED: 一般公差		APVD	NAME 名称	
0 PLC ±		PRODUCT SPEC 製品規格	SEMI HARD TRAY ASSY	
1 PLC ±		APPLICATION SPEC 取付適用規格	FH 0.5BTB CONNECTOR	
2 PLC ±		WEIGHT	SIZE	CAGE CODE
3 PLC ±		CUSTOMER DRAWING	A3	00779
4 PLC ±			DRAWING NO	番号
ANGLES ±		G-6565778		RESTRICTED TO
FINISH 仕上		SCALE 尺度 4:1		SHEET 5 of 5
				REV A1