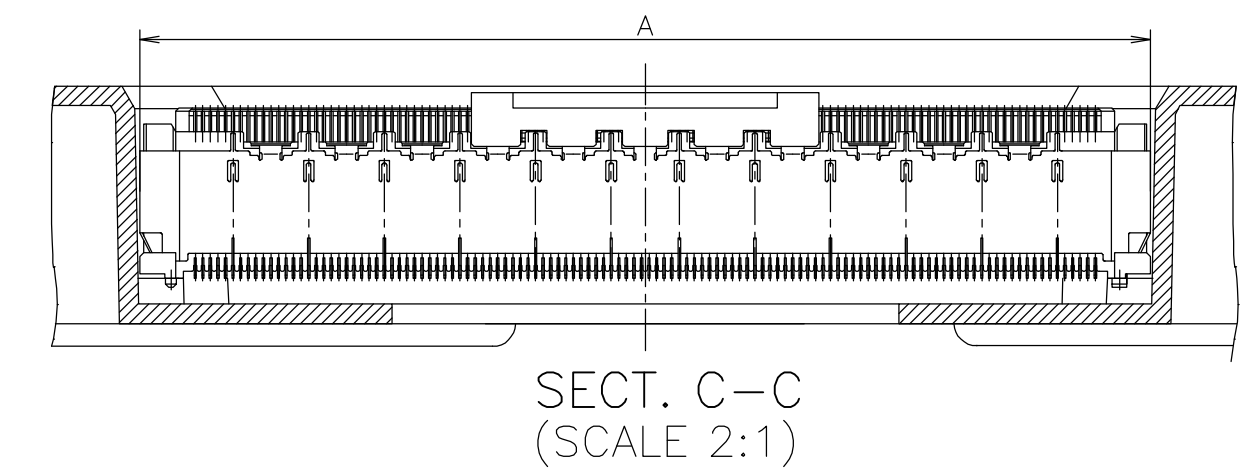
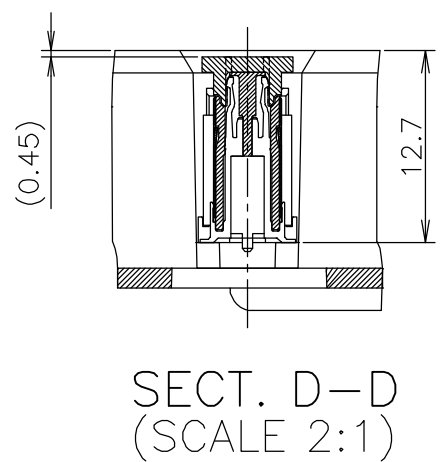
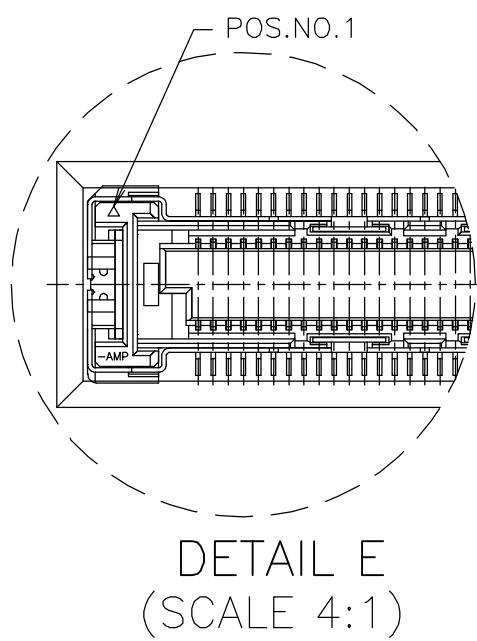
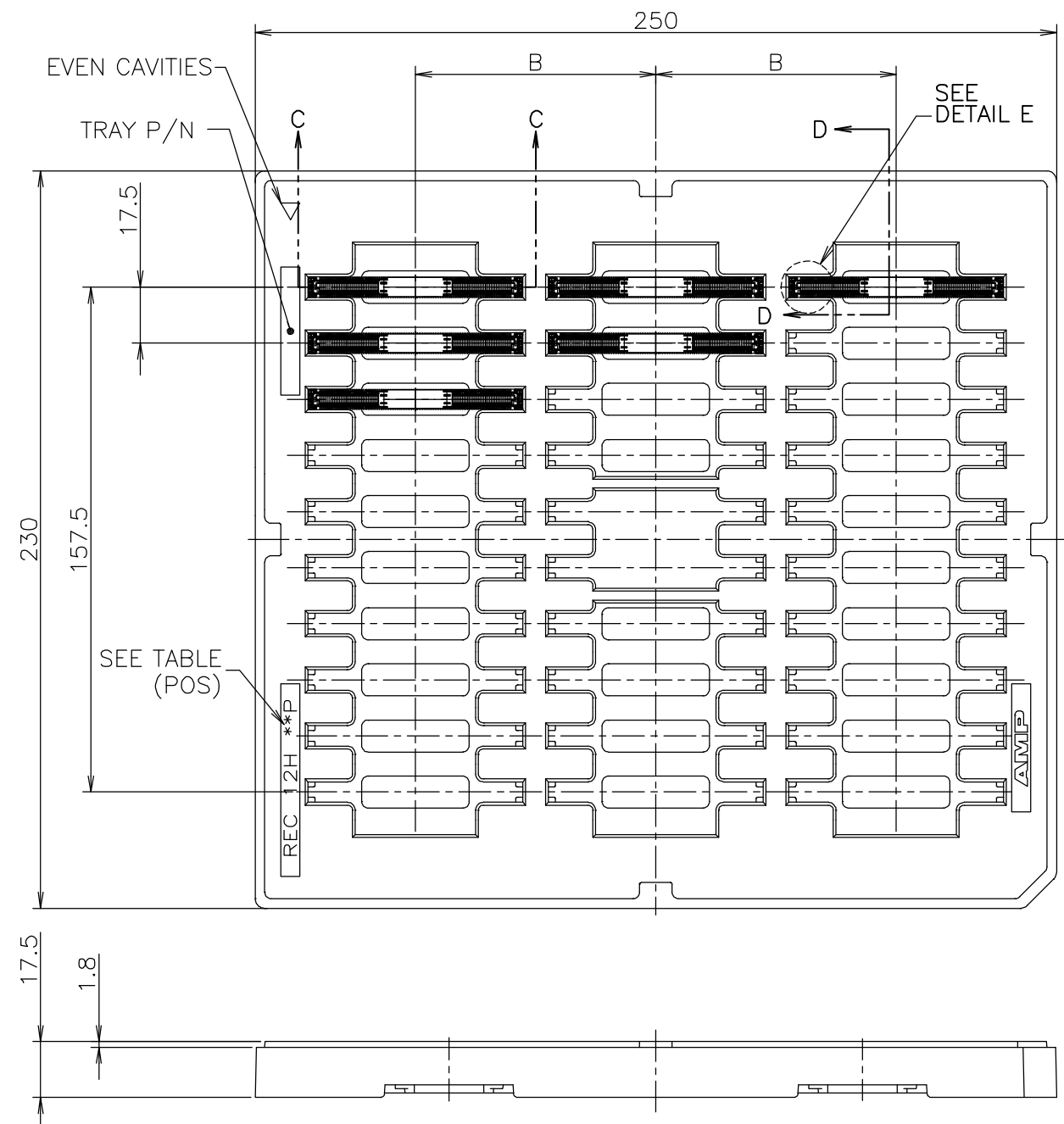


THIS DRAWING IS UNPUBLISHED. RELEASED FOR PUBLICATION MAR, 1999.  
 © COPYRIGHT 1999 BY TYCO ELECTRONICS CORPORATION. ALL RIGHTS RESERVED.

LOC	DIST	REVISIONS					
J	/	P	LTR	DESCRIPTION	DATE	DWN	APVD
		A		RELEASED	12OCT05	D.L	H.K



SIF COATING	TOOLING AVAIL	ROW	QTY	B	A	POS.	PART NO.
		3	30	70	66.8	240	
				75	61.8	220	
				70	56.8	200	
					49.3	170	
					46.8	160	6-5353703-2
					44.3	150	
					41.8	140	
		3	30	70	36.8	120	
		5	50	43	31.8	100	
					29.3	90	
					26.8	80	
					24.3	70	
					21.8	60	
					19.3	50	
					16.8	40	
		5	50	43	14.3	30	
		3	30	70	66.8	240	
				75	61.8	220	
				70	56.8	200	
					49.3	170	
					46.8	160	1-5353703-2
					44.3	150	
					41.8	140	
		3	30	70	36.8	120	
		5	50	43	31.8	100	
					29.3	90	
					26.8	80	
					24.3	70	
					21.8	60	
					19.3	50	
					16.8	40	
		5	50	43	14.3	30	

THIS DRAWING IS A CONTROLLED DOCUMENT.		DWN D.LIU 12OCT05	Tyco Electronics AMP K.K. Kawasaki, Japan	
DIMENSIONS: MM		CHK T.FUTATSUGI 12OCT05		
TOLERANCES UNLESS OTHERWISE SPECIFIED:		APVD W.KODAMA 12OCT05	NAME	
0 PLC ± 0.3 1 PLC ± 0.3 2 PLC ± 0.3 3 PLC ± 0.3 4 PLC ± 0.3 ANGLES ± 3°		PRODUCT SPEC 108-5560	HARD TRAY ASSY FH 0.5BTB CONN. REC 12H WITH G-PLATE AND CAP	
MATERIAL		APPLICATION SPEC	SIZE A3	CAGE CODE 00779
FINISH		WEIGHT	DRAWING NO C-5353703	
		CUSTOMER DRAWING	RESTRICTED TO	
		SCALE 1:2	SHEET 1 OF 5	
			REV A	

4

3

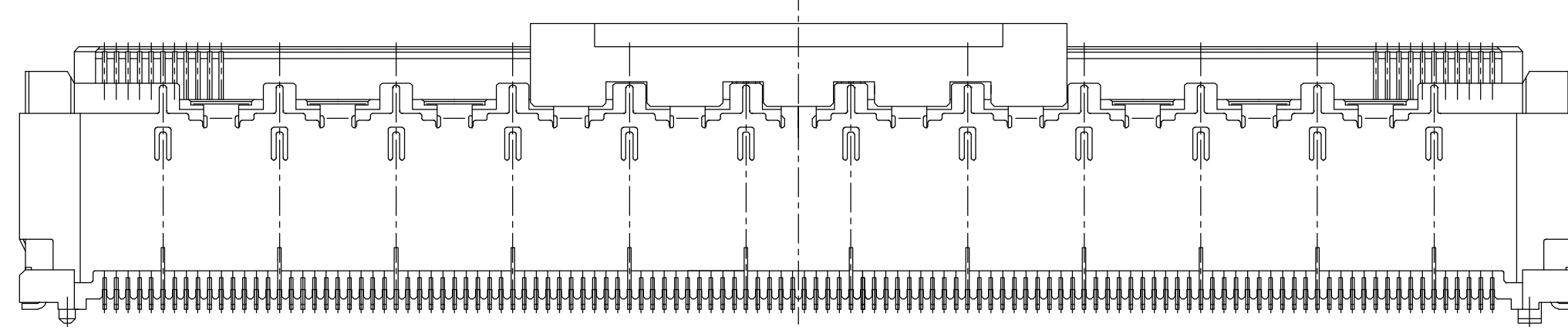
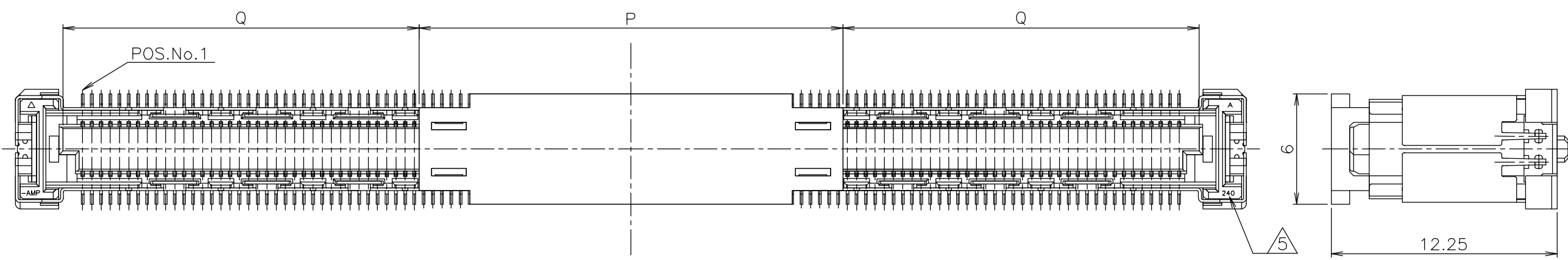
2

1

THIS DRAWING IS UNPUBLISHED.      RELEASED FOR PUBLICATION      MAR , 1999.

© COPYRIGHT 1999 BY TYCO ELECTRONICS CORPORATION.      ALL RIGHTS RESERVED.

LOC J	DIST /	REVISIONS			
P	LTR	DESCRIPTION	DATE	DWN	APVD
	-	SEE SHEET 1	-	-	-

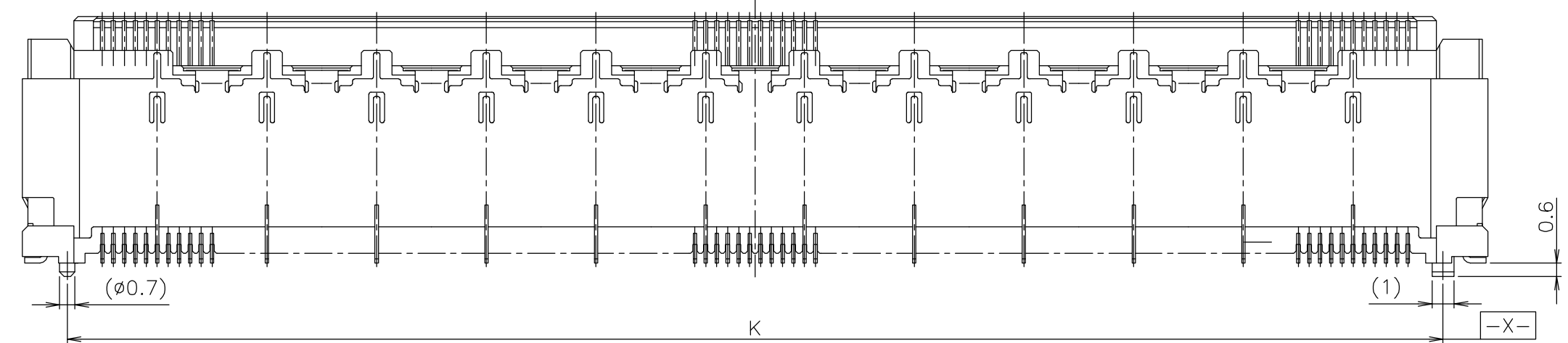
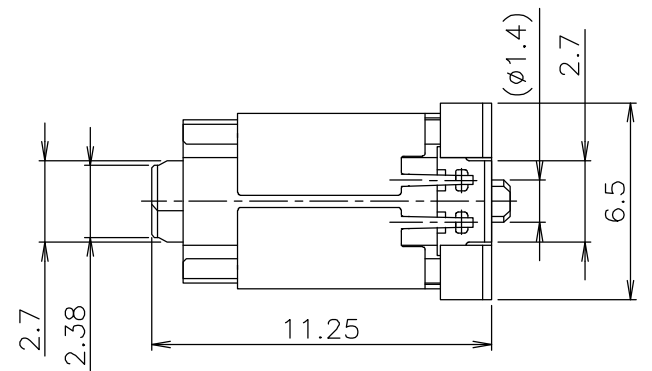
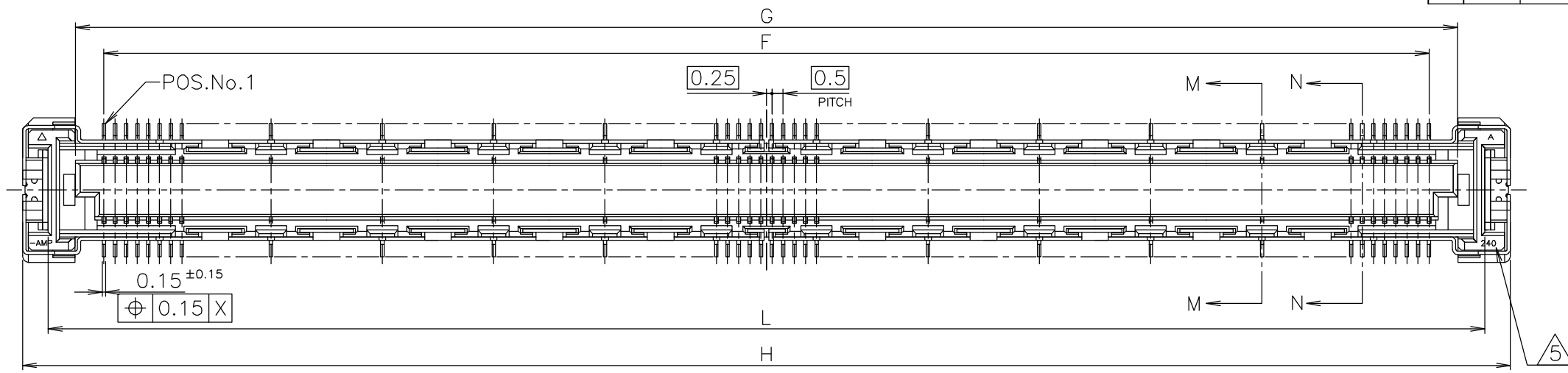


19.55	23	240
17.05	↑	220
14.55		200
12.05		180
10.8		170
9.55		160
8.3		150
7.05		140
4.55		120
2.05	↓	100
0.8	23	90
4.4	13.3	80
4.4	10.8	70
1.9	13.3	60
1.9	10.8	50
1.75	13.3	40
1.75	10.8	30
Q	P	POS.

THIS DRAWING IS A CONTROLLED DOCUMENT.		DWN	Tyco Electronics AMP K.K. Kawasaki, Japan			
DIMENSIONS: MM		CHK				
TOLERANCES UNLESS OTHERWISE SPECIFIED:		APVD	NAME			
0 PLC ± -		PRODUCT SPEC	HARD TRAY ASSY			
1 PLC ± -		APPLICATION SPEC	FH 0.5BTB CONN. REC 12H			
2 PLC ± -		WEIGHT	SIZE	CAGE CODE	DRAWING NO	RESTRICTED TO
3 PLC ± -		CUSTOMER DRAWING	A3	00779	C-5353703	
4 PLC ± -			SCALE	SHEET	OF	REV
ANGLES ± -			4:1	2	5	A
FINISH						

THIS DRAWING IS UNPUBLISHED. RELEASED FOR PUBLICATION MAR, 1999.  
 © COPYRIGHT 1999 BY TYCO ELECTRONICS CORPORATION. ALL RIGHTS RESERVED.

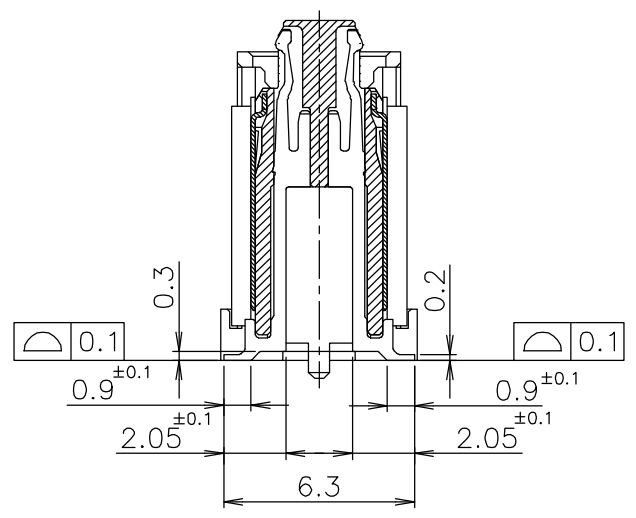
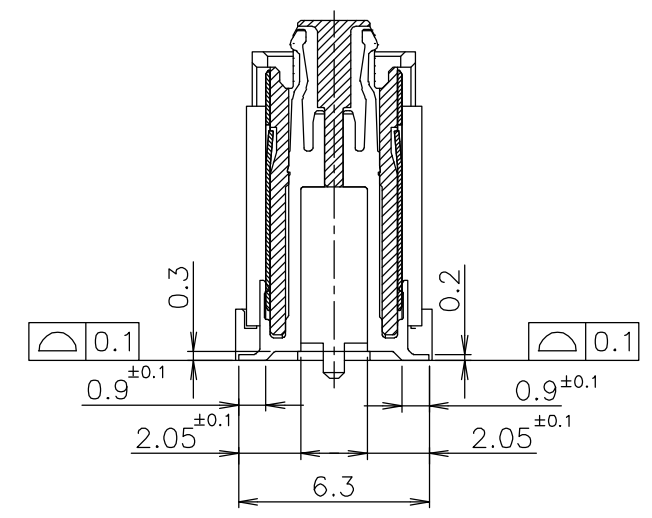
LOC	DIST	REVISIONS					
J	/	P	LTR	DESCRIPTION	DATE	DWN	APVD
		-	-	SEE SHEET 1	-	-	-



64.5	62.7	66.8	62.1	59.5	240
59.5	57.7	61.8	57.1	54.5	220
54.5	52.7	56.8	52.1	49.5	200
49.5	47.7	51.8	47.1	44.5	180
47	45.2	49.3	44.6	42	170
44.5	42.7	46.8	42.1	39.5	160
42	40.2	44.3	39.6	37	150
39.5	37.7	41.8	37.1	34.5	140
34.5	32.7	36.8	32.1	29.5	120
29.5	27.7	31.8	27.1	24.5	100
27	25.2	29.3	24.6	22	90
24.5	22.7	26.8	22.1	19.5	80
22	20.2	24.3	19.6	17	70
19.5	17.7	21.8	17.1	14.5	60
17	15.2	19.3	14.6	12	50
14.5	12.7	16.8	12.1	9.5	40
12	10.2	14.3	9.6	7	30
L	K	H	G	F	POS.

NOTES

- ① MATERIAL ; HOUSING : HIGH TEMP THERMO PLASTIC UL94V-0  
CONTACT : COPPER ALLOY
- ② FINISH ; SIGNAL CONTACT : UNDER PL Ni 0.0013mm MIN ALL OVER.  
CONTACT AREA 0.0002mm MIN Au PL.  
SOLDERING AREA 0.001mm MIN TIN PL.  
GROUND CONTACT : UNDER PL Ni 0.0013mm MIN ALL OVER.  
CONTACT AREA 0.0002mm Au PL.  
SOLDERING AREA 0.001mm MIN TIN PL.  
SOLDER PEG : 0.001mm MIN TIN PL. OVER  
0.0013mm MIN Ni PL ALL OVER.
- ③ THIS POSITION IS GROUND CIRCUIT.
- ④ THIS PRODUCT WAS COATED BY ANTI-FLUX  
-PENETRATION AGENT.
- ⑤ NO. OF CIRCUIT (DEPEND ON CONNECTOR POS).



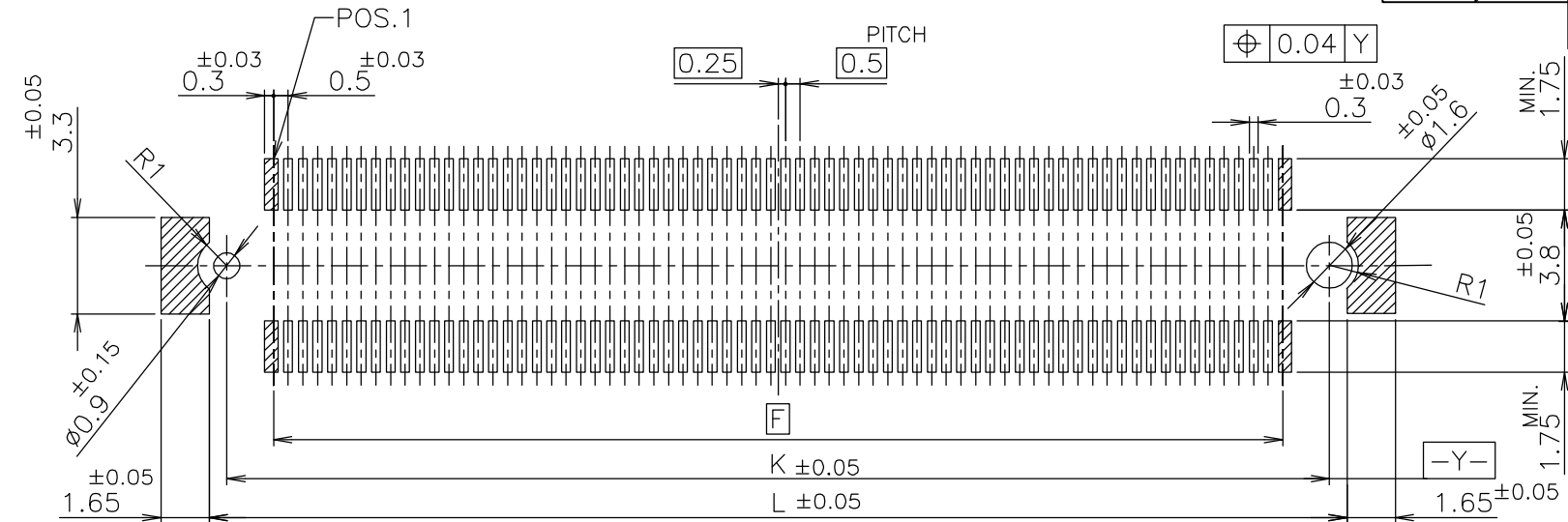
SECT. M-M (GROUND POSITION)

SECT. N-N (SIGNAL POSITION)

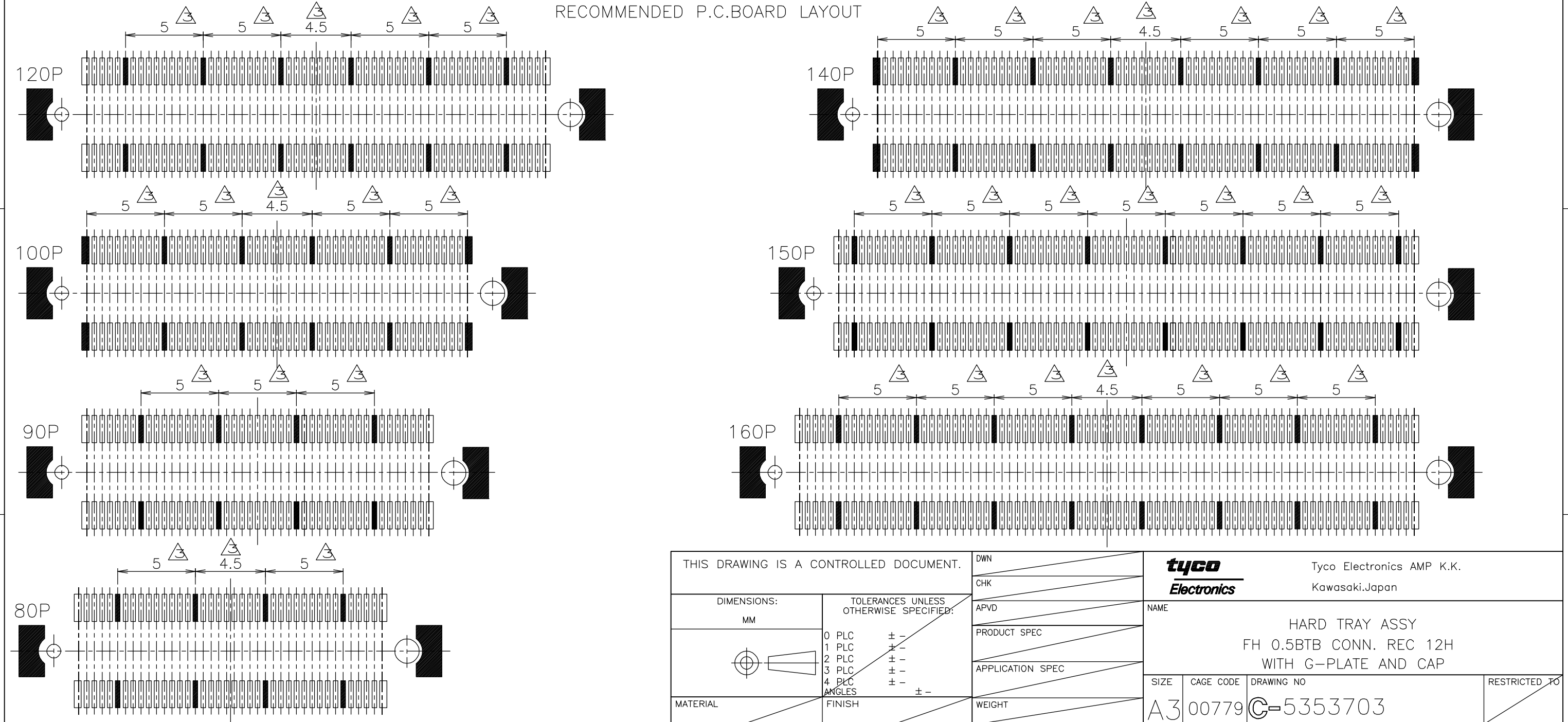
THIS DRAWING IS A CONTROLLED DOCUMENT.		DWN		Tyco Electronics AMP K.K. Kawasaki, Japan	
DIMENSIONS: MM		CHK			
TOLERANCES UNLESS OTHERWISE SPECIFIED:		APVD		NAME	
0 PLC ± -		PRODUCT SPEC		HARD TRAY ASSY	
1 PLC ± -		APPLICATION SPEC		FH 0.5BTB CONN. REC 12H	
2 PLC ± -		WEIGHT		WITH G-PLATE AND CAP	
3 PLC ± -		SIZE		A3	
4 PLC ± -		CAGE CODE		00779	
ANGLES ± -		DRAWING NO		C-5353703	
FINISH ± -		RESTRICTED TO			
MATERIAL		CUSTOMER DRAWING		SCALE 4:1	
		SHEET 3 OF 5		REV A	

THIS DRAWING IS UNPUBLISHED. RELEASED FOR PUBLICATION MAR , 1999.  
 © COPYRIGHT 1999 BY TYCO ELECTRONICS CORPORATION. ALL RIGHTS RESERVED.

LOC		DIST		REVISIONS			
J	/	P	LTR	DESCRIPTION	DATE	DWN	APVD
				SEE SHEET 1	-	-	-



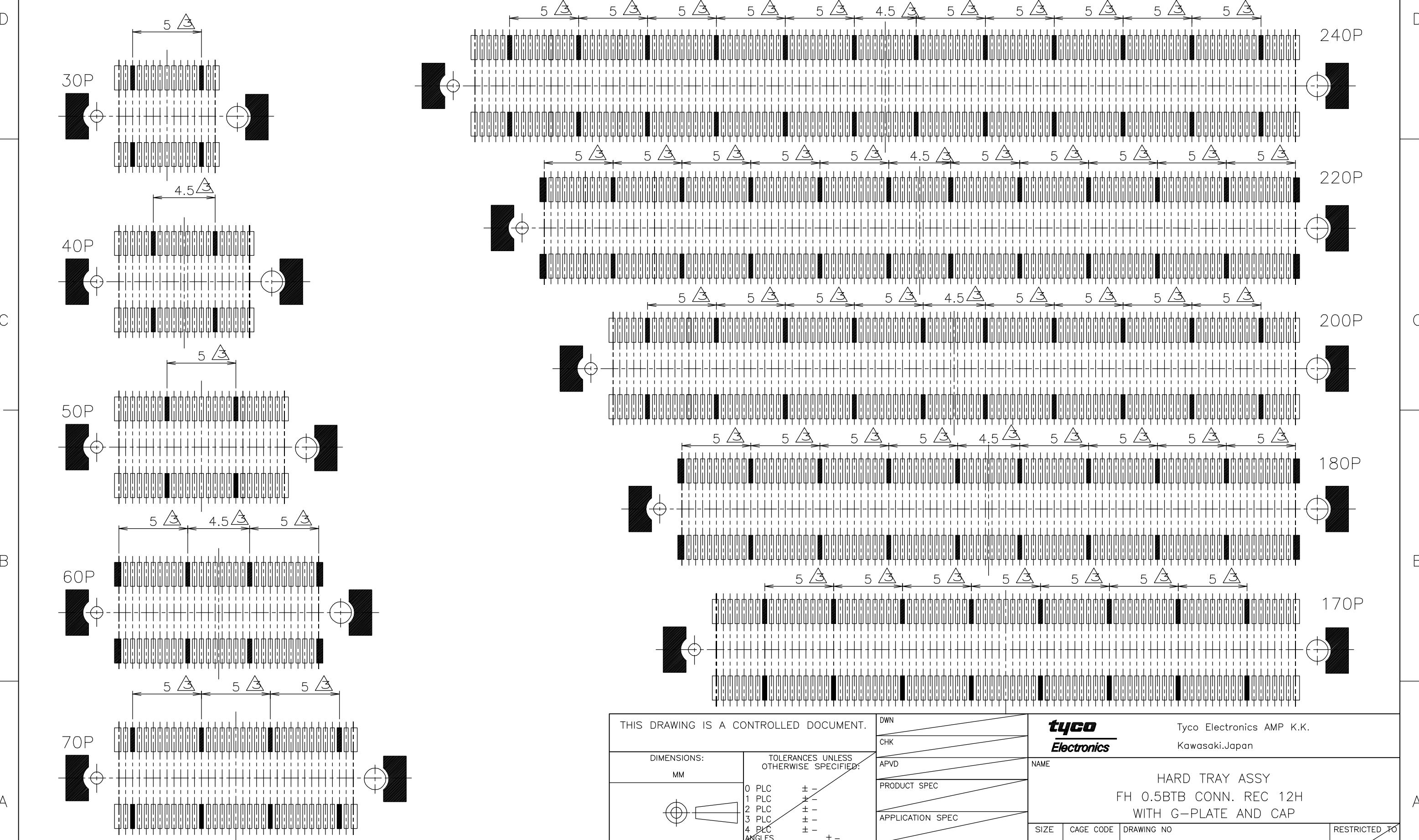
RECOMMENDED P.C.BOARD LAYOUT



THIS DRAWING IS A CONTROLLED DOCUMENT.		DWN	Tyco Electronics AMP K.K. Kawasaki, Japan			
DIMENSIONS: MM		CHK				
TOLERANCES UNLESS OTHERWISE SPECIFIED:		APVD	NAME			
0 PLC ± -		PRODUCT SPEC	HARD TRAY ASSY			
1 PLC ± -		APPLICATION SPEC	FH 0.5BTB CONN. REC 12H			
2 PLC ± -		WEIGHT	SIZE	CAGE CODE	DRAWING NO	RESTRICTED TO
3 PLC ± -		CUSTOMER DRAWING	A3	00779	C-5353703	
4 PLC ± -			SCALE	SHEET	OF	REV
ANGLES ± -			4:1	4	5	A
FINISH						

THIS DRAWING IS UNPUBLISHED. RELEASED FOR PUBLICATION MAR , 1999.  
 © COPYRIGHT 1999 BY TYCO ELECTRONICS CORPORATION. ALL RIGHTS RESERVED.

LOC J	DIST /	REVISIONS			DATE	DWN	APVD
P	LTR	DESCRIPTION					
		SEE SHEET 1		-	-	-	



THIS DRAWING IS A CONTROLLED DOCUMENT.		DWN	Tyco Electronics AMP K.K. Kawasaki, Japan			
DIMENSIONS: MM		CHK				
TOLERANCES UNLESS OTHERWISE SPECIFIED: 0 PLC ± - 1 PLC ± - 2 PLC ± - 3 PLC ± - 4 PLC ± - ANGLES ± - FINISH		APVD	NAME			
MATERIAL		PRODUCT SPEC	HARD TRAY ASSY FH 0.5BTB CONN. REC 12H WITH G-PLATE AND CAP			
		APPLICATION SPEC	SIZE	CAGE CODE	DRAWING NO	RESTRICTED TO
		WEIGHT	A3	00779	C-5353703	
CUSTOMER DRAWING			SCALE	SHEET	OF	REV
			4:1	5	5	A